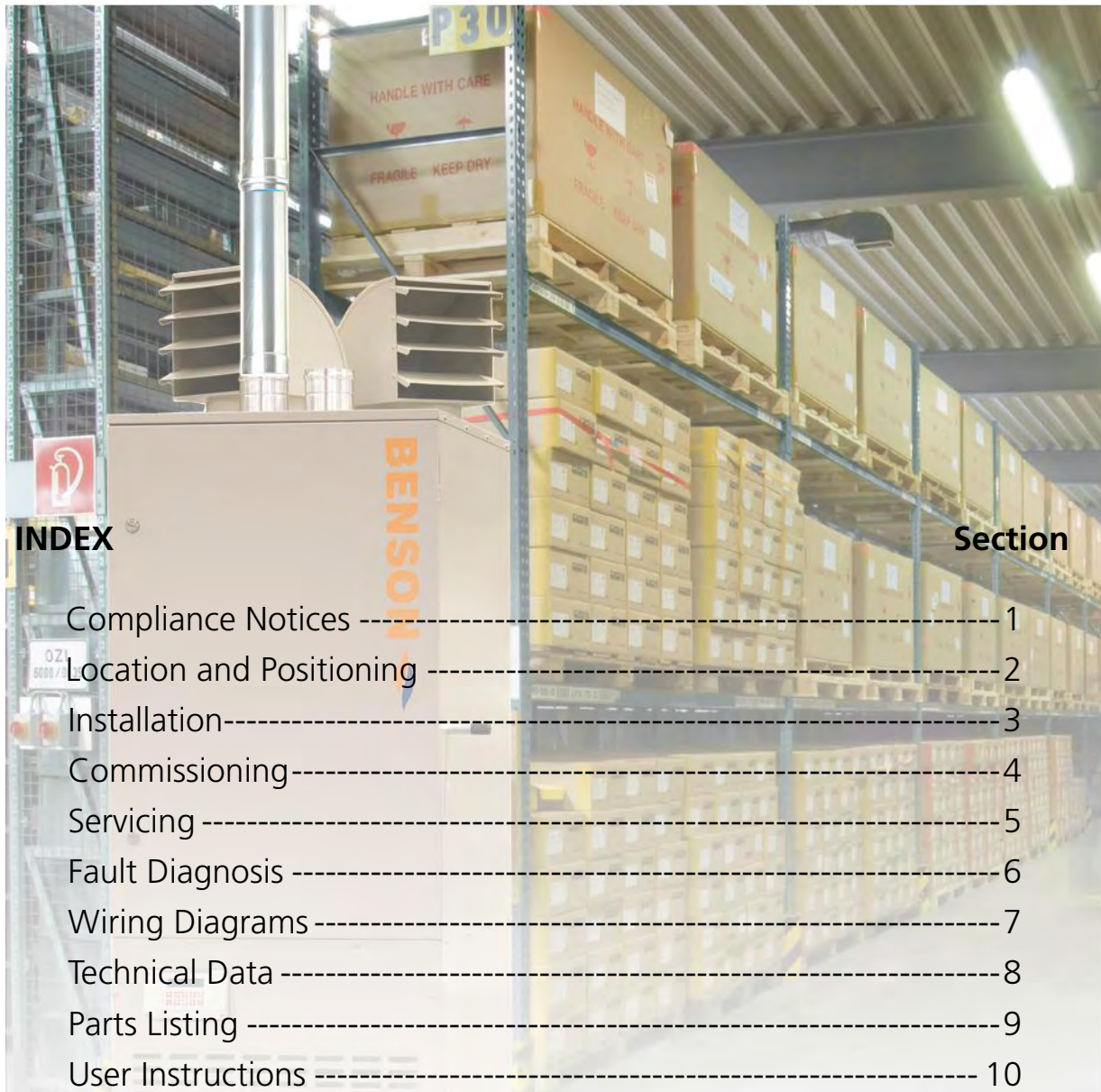


BENSON PV TUBULAR CABINET

NATURAL GAS (G20 l2H & G25 l2H); PROPANE GAS (G31 l3P)

INSTALLATION AND OPERATING MANUAL



INDEX	Section
Compliance Notices -----	1
Location and Positioning -----	2
Installation-----	3
Commissioning-----	4
Servicing -----	5
Fault Diagnosis -----	6
Wiring Diagrams -----	7
Technical Data -----	8
Parts Listing -----	9
User Instructions -----	10

WARNINGS

Benson equipment must be installed and maintained in accordance with the relevant provisions of the Gas Safety (Installations and Use) Regulations 1998 for gas fired products. Due account should also be taken of any obligations arising from the Health and Safety at Works Act 1974 or relevant codes of practice. In addition the installation must be carried out in accordance with the current IEE wiring regulations (BS 7671), BS 6896 (Industrial & Commercial) and any other relevant British Standards and Codes of Practice by a qualified installer. All external wiring MUST comply with the current IEE wiring regulations.

Part No. 701100



Section	Contents	Page No
1.0	Compliance Notices	4
1.1	Certificates of Conformity	5
1.2	General product Information	5
1.3	General Requirements	6
1.4	Delivery & Pre-installation Checks	6
1.5	Warranty	7
1.6	Special risk areas	7
2.0	Installation	8
2.1	Installation Clearances	8
2.2	Warm Air Circulation	8
2.3	Air Supply	8
2.4	Flue Installation	13
2.5	Electrical Installation	18
2.6	Gas Installation	20
3.0	Commissioning	20
3.1	Electrical Pre tests	21
3.2	Gas supply Pre tests	21
3.3	Ignition Sequence	21
3.4	Hand Over	22
4.0	Servicing	23
4.1	Servicing Procedure	23
5.0	Fault Diagnosis	26
6.0	Wiring Diagrams	28
7.0	Technical Data	43
7.1	Technical Data Common Information	43
7.2	Technical Data Heater Specifications	44
8.0	Parts Listing	45
9.0	All Dimensions	46

WARNING
ELECTRICAL INSTALLATION

**When installing the heaters and using the remote controls option
ALL 8 WIRES MUST BE USED AT ALL TIMES .**

IMPORTANT NOTICE TO INSTALLERS

Installers should satisfy themselves that the gas pipework installation is carried out in accordance with all current legislation, Codes of Practice and Recommendations.

Additionally it may be necessary to protect the gas valves which form part of the heater or burner assembly from potential pipe contamination particularly, but not exclusively , where copper gas pipework is used.

In instances where copper pipework is to be used for all or part of a gas pipework installation, including short length final connections then we advise that installers consult with gas supplier or provider and satisfy themselves what additional precautions may be necessary

Any reference made to Laws, Standards, Directives , Codes of Practice or other recommendations governing the application and installation of heating appliances and which may be referred to in Brochures, Specifications, Quotations, and Installation, Operation and Maintenance manuals is done so for information and guidance purposes only and should only be considered valid at the time of the publication.

Nortek Global HVAC Heating cannot be held responsible from any matters arising from the revision to or introduction of new Laws, Standards, Directives, Codes of Practice or other recommendations.

1.0 Compliance notices

The Benson PV Range of warm air heaters detailed herewith are manufactured for Benson Heating within a strictly controlled environment within the parameters of ISO9001.

These instructions are only valid if the following country code is on the appliance **GB. IE**. If this code is not present on the appliance, it is necessary to refer to the technical instructions which will provide the necessary information concerning the modification of then appliance to the conditions of use for the country.

The Benson PV Range has been independently tested and assessed, and has been found to meet the Essential Requirements of the following European Directives.

Gas Appliance Directive (90 / 396 / EEC)
Machinery Directive (2006 / 42 EC)
Low Voltage Directive (2006 / 95 / EC)
Electromagnetic Compatibility Directive (2004 / 108 / EC)
Product Liability Directive (85 / 374 / EEC)

The manufacturer has taken reasonable and practical steps to ensure that Benson PV Range of Heaters are safe and without risk when properly used. These heaters should therefore only be used in the manner and purpose for which they were intended, and in accordance with the recommendations detailed herewith.

The heaters have been designed, manufactured, assembled, inspected, and tested, with safety and quality in mind, there are certain basic precautions which the installer and user should be aware of, and they are strongly advised to read the appropriate sections of the information pack accompanying the heater, prior to installation or use.

Benson Heating supports all new products being supplied to their customers with a comprehensive information pack; this clearly defines mandatory instructions for the safe installation, use, and maintenance, of the appliance (s).

Where proprietary items are incorporated into Benson products, detailed information and instructions are also provided as part of the information pack.

It is the responsibility of the installer, owner, user, or hirer, of such products supplied by Benson Heating, to ensure that they are familiar with the appropriate information/ manuals, supplied by the manufacturer, and that they are suitably aware of the purpose of the manuals and the safety instructions. In addition, operators must be suitably trained in the use of the appliance so as to ensure its continued safe and efficient use.

Benson has a commitment to continuous improvement, and therefore reserves the right to amend or change the specification of the PV Heater Range subject to agreement from The Notified Body.

Contained within the text of the manual, the words '**Caution**' and '**Warning**' are used to highlight certain points.

Caution is used when failure to follow or implement the instruction (s) can lead to premature failure or damage to the heater or its component parts.

Warning is used when failure to heed or implement the instruction (s) can lead to not only component damage, but also to a hazardous situation being created where there is a risk of personal injury.

The Benson PV Range of heaters conform to the following European Harmonised Standards.

BS EN 1020 Requirements for non domestic gas fired forced convection air heaters for space heating incorporating a fan to assist transportation of combustion air and/ or combustion products.

BS EN - ISO 12100-1
& BS EN - ISO12100-2
Safety of Machinery - Basic Concepts, General Principles for Design
Part 1 & Part 2

BS EN 60204 - Part 1
 Safety of Machinery - Electrical Equipment
 for Machines Specification for General
 Requirements

BS EN 60335 - Part 1
 Safety of Household and Similar Electrical
 Appliances General Requirements

BS EN 55014
 Limits and methods of measurement of
 radio disturbance characteristics of electrical
 motor-operated and thermal appliances for
 household and similar purposes, electrical
 tools and similar electric apparatus

BS EN 50165
 Electrical Equipment of non-electric heating
 appliances for household and similar
 purposes, safety requirements

The Benson PV range of gas unit heaters
 meet with the governments criteria in
 respect of the Enhanced Capital Allowance
 Scheme

1.1 Certificates of conformity

Declarations and Certificates are available
 upon request from the Quality Control
 Department at Benson Heating.

1.2 General product information

The Benson PV Range of 6 model sizes
 have outputs from **29.4 kW** to **144.0 kW**,

PV heaters are suitable for operation on
 Natural gas (G20), Natural gas (G25) or
 LPG (Propane G31)

The Model Range is made up as follows and
 are available in a configuration that will allow
 for floor mounting only.

Model No	30	50	72
Output kW	29.4	49.0	72.0
Model No	95	120	145
Output kW	96.0	120.0	144.0

PV heaters have been approved for
 alternative flue discharge arrangements but
 each heater must be connected to its own
 individual open flue these are detailed in
 following page's

Cabinet

Manufactured from electro-zinc coated steel,
 finished in a durable stove enamelled
 polyester powder paint.

Heat Exchanger

Manufactured from aluminised dimpled steel
 tube formed into a W shape to give
 enhanced efficiency .

Flue / Combustion Air Spigot

Each heater is fitted with two spigots both of
 which are located on top of the appliance.
 One of the pair is for connection for the flue
 whilst the other is a screened combustion air
 intake **SEE SECTION 2.4 FLUE
 INSTALLATION**

Burner

The induced draught multi in-shot burner
 assembly is manufactured from aluzinc
 coated steel and mounted to a common
 steel manifold which can be easily
 withdrawn through the burner access
 compartment.

Burner Control

The heaters are fitted with automatic ignition
 for all models within the range.

Exhaust Fan

Combustion gases are evacuated to
 atmosphere via an in built power flue venter
 fan which is safety interlocked to the gas
 valve via an air pressure proving device

Air Movement Fan

PV heaters are supplied with Centrifugal
 fans suitable for ducted or free blowing
 applications

Note

Neither asbestos nor soft soldered joints are
 used in the construction or manufacture of
 the Benson Heating range of Heaters.

The materials selected for use can withstand the mechanical, chemical, and thermal stresses which they will be subject to during foreseen normal use when installed in accordance with the manufacturers recommendations.

1.3 General Requirements

Caution

Before installation, check that the local distribution conditions, nature of gas and pressure, and the current state adjustment of the appliance are compatible.

Warning

Unauthorised modifications to the appliance, or departure from the manufacturers guidance on intended use, or, installation contrary to the manufacturers recommendations may constitute a hazard.

Note

To ignore the **warning** and **caution** notices, and to ignore the advice from the manufacturer on installation, commissioning, servicing, or use, will jeopardise any applicable warranty, moreover, such a situation could also compromise the safe and efficient running of the appliance itself, and thereby constitute a hazard.

This appliance must be installed by a competent person and in accordance with European, National, and Local criteria, including any relevant standards, codes of practice the requirements of the current building Regulations (and in particular parts J & L), Health and safety regulations IEE regulations and any requirements of the Local Authority, Fire Officer or insurers.

Relevant standards may include BS6230, BS6891 and BS5588 parts 2 and 3

Prior to installation the following points should be considered;

- a) The position of the heater for the optimum efficient distribution and circulation of warm air.
- b) The position of the heater relative to the route of the flue.
- c) The position of the heater relative to the

supply of gas.

d) The position of the heater relative to the electrical services, wiring routes, and if appropriate, any additional controls.

e) The position of the heater relative to the supply of fresh air.

f) The position of the heater relative to potential stratification / circulation problems, which generally occur at higher levels and which may be overcome through the provision of a suitable de-stratification unit.

g) The position of the heater relative to service and maintenance requirements.

Caution

The heater **must not** be installed within an area where the conditions are unsuitable, e.g. where the atmosphere is highly corrosive, has a high degree of salinity, or where high wind velocities may affect burner operation. Suitable protection should be provided for the appliance when it is located in a position where it may be susceptible to external mechanical damage from; for example, fork lift trucks, overhead cranes etc.

1.4 Delivery and pre-installation checks

The heater is supplied wrapped in heavy duty protective polythene, mounted on a pallet.

On receipt of the heater, the following checks should be carried out;

- a) The model is as per order.
- b) That it is undamaged.
- c) That it is suitable for the gas supply and pressure.
- d) That it is suitable for the electrical supply.

If any of these points are not satisfied then contact should be made with the Sales Office at Benson Heating as soon as possible by telephoning 01547 528534. In the case of claims for damage, this must be reported in writing within 24 hours of delivery, in order to comply with insurance criteria

1.5 Warranty

The heater is supplied with a 1 year parts and labour warranty and a further year on all parts excluding consumable's.

In addition to this there is also a 10 year time related warranty on the combustion chamber.

The warranty commences from the date of dispatch from the manufacturer, and is subject to the terms detailed within the Benson Heating 'conditions of business'.

Note (i)

The warranty may be invalidated if -

- a) The installation is not in accordance with the general requirements of this manual.
- b) The flue arrangement and air supply for the heater are not in accordance with the manufacturers recommendations, codes of practice, or similar standards.
- c) Air flow through the heater is not in accordance with the manufacturers technical specifications.
- d) Internal wiring on the heater has been tampered with or unauthorised service / repairs undertaken.
- e) The main electrical supply input to the heater has been interrupted during the heating mode.
- f) The heater has been subject to and affected by the ingress of water in any form.
- h) The heater is not operated at the rating(s) laid down in the manufacturers technical specifications.
- g) The heater has not been operated or used within the normal scope of its intended application.
- h) The manufacturer's recommended minimum service requirements have not been complied with.

Note (ii)

All warranty claims must contain the following information to enable processing to take place;

- (1) Heater model
- (2) Heater serial number
- (3) Order reference/date of order, together with full installation details (name and address)

- (4) Details or symptoms of fault
- (5) Installers name and address.

Faulty parts must be returned to the Benson heating Spares Department, the address of which is provided on the rear cover of this manual. Any such parts will undergo inspection to verify the claim. Replacement parts supplied prior to this may be charged, and a credit supplied upon subsequent validation of the warranty claim.

Consumable items are specifically not included within the scope of the warranty.

Note (iii)

Notification is required immediately a fault is suspected.

The manufacturer will not accept responsibility for any additional damage that has been caused, expense incurred, or consequential loss resulting from any failure of the heater(s).

1.6 SPECIAL RISK AREAS

Where it is proposed to install a heater within a special risk area (e.g. an area containing flammable vapours where petrol engined vehicles are stored parked or serviced where paint spraying occurs, or where woodworking machinery or other flammable dust creating process's are employed then restrictions, additional regulations concerning the heater flue wiring or controls may apply.

It is strongly recommended that you contact Benson Technical before installation.

Caution

When used in room sealed mode it may be possible to install PV heaters in areas containing flammable vapours, high levels of airborne dust combustible dust chlorinated or halogenated hydrocarbons degreasing solvents styrenes other laminating materials or airborne silicones. Benson Technical should be contacted before installation.

Failure to do so may invalidate or reduce guarantee cover.

Plant Room Siting

Provided certain criteria are met it is possible to install PV heaters within a plant room heaters installed in plant rooms should only be configured for use in room sealed mode and provision should be made for the positive connection of flues , combustion air pipes, warm air discharge and return ductwork where such a siting is a requirement it is recommended that you consult Benson Technical prior to installation.

Additionally the maximum temperature within the plant room should not exceed 32°C

2.0 Installation

The location chosen for the heater must allow for the fitting of an effective flue system.

The location must also allow for adequate clearance for the air supply, return air circulation, gas supply, electrical supply, whilst also providing good and safe working access.

The heater must be installed on a flat and level surface made from non-combustible material, which is sufficiently robust to withstand the weight of the heater and any ancillary equipment.

Any combustible material adjacent to the heater or flue system must be so placed or shielded so that its surface temperature does not exceed 65°C.

PV free blowing heaters are at their most effective when located as close to the working area as possible. However care should be exercised to avoid directing the discharged air directly onto the occupants of the area to be heated.

Where the passage of cold air causes problems (e.g. by entrances, loading bays

etc) it is considered favourable if the heater is positioned so as the discharge towards or across the cold air source from a distance from 1.5m - 6m dependent upon the size of the entrance and the air throw characteristics of the heater. On exposed walls heaters should be positioned so as to discharge towards, or along the length of the exposed wall.

In areas where it is proposed that more than one heater is to be installed, a general scheme of circulation should be drawn up and maintained, thereby offering the best heat distribution. Air pressure within the area heated and the outside air pressure must remain the same, factors influencing this would be the presence of extraction systems, ventilation systems, and various types of process plant.

2.1 Installation Clearances

The Heater must be installed within the clearances indicated below in mm's

Model	Front	Rear	Lhs	Rhs
30/50	700	400	150	150
72/95	840	400	150	150
120/145	840	400	150	150

2.2 Warm Air Circulation

The air heater should be positioned to enable maximum circulation of discharged warm air within the area to be heated, whilst taking account of personnel within the area, sources of cold air ingress, and obstructions.

The air temperature rise on passing the heat exchanger is typically around **33 °C**

A full and unobstructed return air path to the air heater must be provided (see 2.4 Air Supply).

Where the heater is positioned to deliver blown air through an opening in a wall, return air intakes should be located so that

they cannot become blocked. Similarly these intakes must be positioned so as not to draw in odours, fumes, hazardous vapours or particles.

2.3 Air Supply for Combustion and Ventilation

Consideration must be given to the provision of air for the purposes of combustion and ventilation of the heated space, plant room or enclosure where the heaters are to be installed .

It is strongly recommended that BS 6230 is referred to for further information concerning ventilation requirements.

2.3.1 Heaters installed within the heated space

Where heaters are installed within the heated space (i.e. not a plant room , or enclosure) then:

Combustion air or heater related ventilation air **will not be** required if -

- The heaters are installed in room sealed mode (ie with a positive connection to atmosphere of both flue and combustion air)

OR

- If the design air change rate of the heated space is 0.5 air changes per hour or greater

The design air change rate may be satisfied by natural infiltration or by mechanical ventilation.

Combustion air ventilation **will be** required if

- The heater(s) are installed with flue only (ie without the positive connection to atmosphere of a combustion air duct)

And

- The design air change rate of the heated space is less than 0.5 air changes per hour.

Where heater(s) are installed without the positive connection of combustion ductwork

within a heated space where air change rate of that heated space is less than 0.5 air changes per hour then it will be necessary to provide either natural ventilation openings to the heated space (Section2.3.1.1 refers) or the mechanical ventilation of the heated space (Section2.3.1.2 refers).

2.3.1.1 Natural Ventilation Openings to the Heated Space

If the heater(s) are to be installed without the positive connection of combustion air ductwork within a heated space, and where the design air change rate of that heated space is less than 0.5 air changes per hour, then provision for low level natural ventilation openings only will be necessary.

The minimum free area of the low level natural ventilation opening shall be

- 2 cm² for each kW of rated heat input

The low level natural ventilation opening should be situated on an external wall and be within 1000 mm of floor level for natural gas and ideally at floor level for lpg gas installations but in any event no higher than 250 mm.

The table below provides specific data for each heater model as -

MODEL	Minimum Free Area Of Ventilation Opening	
	High Level	Low Level
	cm ²	cm ²
30	None	64
50	None	107
72	None	158
95	None	211
120	None	263
145	None	315

2.3.1.2 Mechanical Ventilation to the Heated Space

In the event that the heater(s) are to be

installed without the positive connection of combustion ductwork within a heated space and where that heated space has a design air change of less than 0.5 air changes per hour and that the installer prefers to mechanically ventilate the heated space rather than provide ventilation openings then

- The heated space needs to be mechanically ventilated so that the design air change is 0.5 air changes per hour or greater.
- It is a requirement that the mechanical ventilation shall be of the Input! Type with either natural or mechanical extraction.
- Systems of mechanical extraction with a natural inlet shall not be used.
- It is necessary to provide an automatic means to safely inhibit heater(s) operation should mechanical air supply fail for any reason

2.3.2 Heaters Installed within a Plant Room or Enclosure.

A plant room means a room housing the heater plant and probably other items of building service plant and would generally have generous space for maintenance.

An enclosure is where the heater is installed within a compartment or confined area where space is limited.

Where heaters are installed within a plant room or enclosure then provision for both combustion air and / or air for general ventilation will be required by means of high and low level ventilation openings (sections 2.3.2.1 and 2.3.2.2 refer to plant room applications and sections 2.3.2.3 and 2.3.2.4 refer to enclosure applications).

Alternatively the plant room or enclosure may be mechanically ventilated (section 2.3.2.5 refers)

2.3.2.1 Natural Ventilation Openings to Plant Rooms for Room Sealed Heaters

For plant room applications the minimum free area of ventilation opening will depend upon whether the heater(s) is installed in room sealed mode (ie with a positive connection to atmosphere of both flue and combustion air). Or with flue only (ie without the positive connection to atmosphere of a combustion air duct)

Where the heater(s) is installed in a plant room and in room sealed mode (ie with a positive connection to atmosphere of both flue and combustion air) the minimum free area of ventilation opening needs to be

- At high level 5 cm² for each kW of rated heat input.
- At low level 5 cm² for each kW of rated heat input

The high level ventilation opening should be sited on an external wall and positioned as high as is practical and always within the top 15% of the wall height.

The low level natural ventilation opening should be situated on an external wall and be within 1000 mm of floor level for natural gas and ideally at floor level for l.p.g gas installations but in any event no higher than 250 mm.

The table below provides specific data for each heater model as -

MODEL	Minimum Free Area Of Ventilation Opening	
	High Level	Low Level
	cm ²	cm ²
30	160	160
50	267	267
72	394	394
95	527	527
120	656	656
145	787	787

2.3.2.2 Natural Ventilation Openings to Plant Rooms for Flued Heaters

Where the heater(s) is installed in a plant room and in flue mode (ie without a positive connection to atmosphere of combustion air ductwork) the minimum free area of ventilation opening needs to be

- At high level 2 cm² for each kW of rated heat input.
- At low level 4 cm² for each kW of rated heat input.

The high level ventilation opening should be sited on an external wall and positioned as high as is practical and always within the top 15% of the wall height

The low level natural ventilation opening should be situated on an external wall and be within 1000 mm of floor level for natural gas and ideally at floor level for l.p.g gas installations but in any event no higher than 250 mm.

The table below provides specific data for each heater model as -

MODEL	Minimum Free Area Of Ventilation Opening	
	High Level	Low Level
	cm ²	cm ²
30	64	128
50	107	214
72	158	316
95	211	422
120	263	525
145	315	630

2.3.2.3 Natural Ventilation Openings to Enclosures for Room Sealed Heaters

For enclosure applications the minimum free area of ventilation opening will also depend upon whether the heater(s) is installed in room sealed mode (ie with a positive connection to atmosphere of both flue and combustion air).

Or with flue only (ie without the positive connection to atmosphere of a combustion air duct)

Where the heater(s) is installed in a plant room and in room sealed mode (ie with a positive connection to atmosphere of both flue and combustion air) the minimum free area of ventilation opening needs to be.

- At high level 5 cm² for each kW of rated heat input.
- At low level 5 cm² for each kW of rated heat input.

The high level ventilation opening should be sited on an external wall and positioned as high as is practical and always within the top 15% of the wall height.

The low level natural ventilation opening should be situated on an external wall and be within 1000 mm of floor level for natural gas and ideally at floor level for l.p.g gas installations but in any event no higher than 250 mm.

The table below provides specific data for each heater model as -

MODEL	Minimum Free Area Of Ventilation Opening	
	High Level	Low Level
	cm ²	cm ²
30	160	160
50	267	267
72	394	394
95	527	527
120	656	656
145	787	787

2.3.2.4 Natural Ventilation Openings to Enclosures for Flued Heaters

Where the heater(s) is in an enclosure and in flue only mode (ie without a positive connection to atmosphere of combustion air ductwork) the minimum free area of ventilation opening needs to be:

- At high level 5 cm² for each kW of rated heat input
- At low level 10 cm² for each kW of rated heat input

The high level ventilation opening should be sited on an external wall and positioned as high as is practical and always within the top 15% of the wall height

The low level natural ventilation opening should be situated on an external wall and be within 1000 mm of floor level for natural gas and ideally at floor level for l.p.g gas installations but in any event no higher than 250 mm.

The table that follows provides specific data for each heater model as -

MODEL	Minimum Free Area Of Ventilation Opening	
	High Level	Low Level
	cm ²	cm ²
30	160	320
50	267	533
72	394	788
95	527	1053
120	656	1312
145	787	1574

2.3.2.5 Mechanical Ventilation to a Plant Room or Enclosure

In the event that the installer prefers to mechanically ventilate the plant room or enclosure rather than provide ventilation openings then -

- The plant room or enclosure needs to be mechanically ventilated at the rate of 4.14 m³/h of fresh air per kW or rated heat input.
- It is a requirement that the mechanical ventilation shall be of the 'input' type with either natural or mechanical extraction. Where mechanical extraction is selected then the

extraction rate should be 5%-10% less than the input rate.

- Systems of mechanical extraction with a natural inlet shall not be used
- It is necessary to provide an automatic means to safely inhibit heater(s) operation should mechanical air supply fail for any reason

The table that follows provides specific data for each heater model as -

MODEL	Mechanical Ventilation Rate for Plant Room or Enclosure
	M ³ h
30	133
50	221
72	327
95	436
120	543
145	652

2.4 Flue Installation.

An integral flue spigot is fitted to all PV Air Heaters thereby allowing the flue to connect directly to the heater.

The design of the flue must ensure that it can be disconnected to allow for cleaning and servicing. All joints should be sealed between the sections.

Warning On PV72 to 145 a Combustion Air Plate is supplied as standard this MUST be fitted in place of the combustion air spigot if the heater is to be installed in the flue only option.

It is essential that the products of combustion are flued to the outside of the building.

Each heater must have its own separate flue, with a flue diameter of not less than is detailed in **section 7.2** within this manual.

The flue assembly must comply with all the relevant regulations regarding height and materials, and must terminate with an approved flue terminal.

Care should be taken to ensure that the flue terminal is not situated in a high pressure area, the proximity of buildings and other obstacles which will influence this must be taken into account, preferably at the design stage.

All PV Heaters are equipped with a built in flue venter fan which prevents the re circulation of combustion products, consequently an external draught diverter, barometric damper, or anti spillage system must not be installed. Such devices are unnecessary on the PV range of heaters.

Horizontal flue installations must not exceed those stated in the following pages

Each 90° bend corresponds to 1Mtr of flue length

Each 45° bend corresponds to 0.8 Mtr of flue length

In order to provide adequate natural draught, the minimum length of horizontal flue must not be less than 1m.

For vertical flue installations the flue should rise vertically where possible bends should not exceed 45° and the number of bends should be kept to a minimum.

Maximum vertical flue length must not exceed that stated in the following pages.

The temperature of the combustion products can be as high as 170° C and therefore tend to rise naturally within the flue. Unnecessary bends and restrictions should therefore be avoided.

Caution

It is imperative that the flue should be properly sealed where it passes through the roof, this can best be achieved by using the approved method of roof flashing plate and cravat. The flue spigot outlet on all PV heaters is in vertical configuration.

Note

It should be noted that claims made under warranty and attributed to the ingress of water may not be considered especially if an approved method of sealing has not been used, or if the design of the flue has not made provision for possible condensation problems.

It is also recommended that BS5854: 1980 and BS5440: parts 1 and 2 are used as a consultative document when considering flue requirements.

If terminating through a wall only use approved horizontal terminals

Provision for the disconnection of the flue for servicing and inspection purposes must also be made.

The position of the flue and its terminal should be such that it does not impair the combustion process. It should terminate in an exposed position so as to allow the free escape of flue gases without risk of their re-entering the building through windows, ventilation ports etc.

The following distances in mm's should be observed

the 25mm separation distance should be measured from the outside surface of the inner liner.

200 below guttering or eaves

300 from corners or openings (windows doors etc) and from other horizontal terminals on same wall

1200 from a facing surface

1500 from another terminal vertically on the same wall

2000 from ground level

The materials from which the flue is constructed must be non-combustible, resistant to internal and external corrosion, and be capable of withstanding the stresses and loadings associated with normal use.

When designing the flue system the prevention of the formation and entrapment of condensation must be a key consideration.

Horizontal flue should be fitted ensuring a slight gradient approx 2° towards the terminal Where condensation is unavoidable traps should be included to encourage the condensates to flow freely to a point from which they may be released, preferably into a gully.

The condensate pipe from the flue to the disposal point must be made from corrosion resistant pipe of not less than 25mm internal diameter.

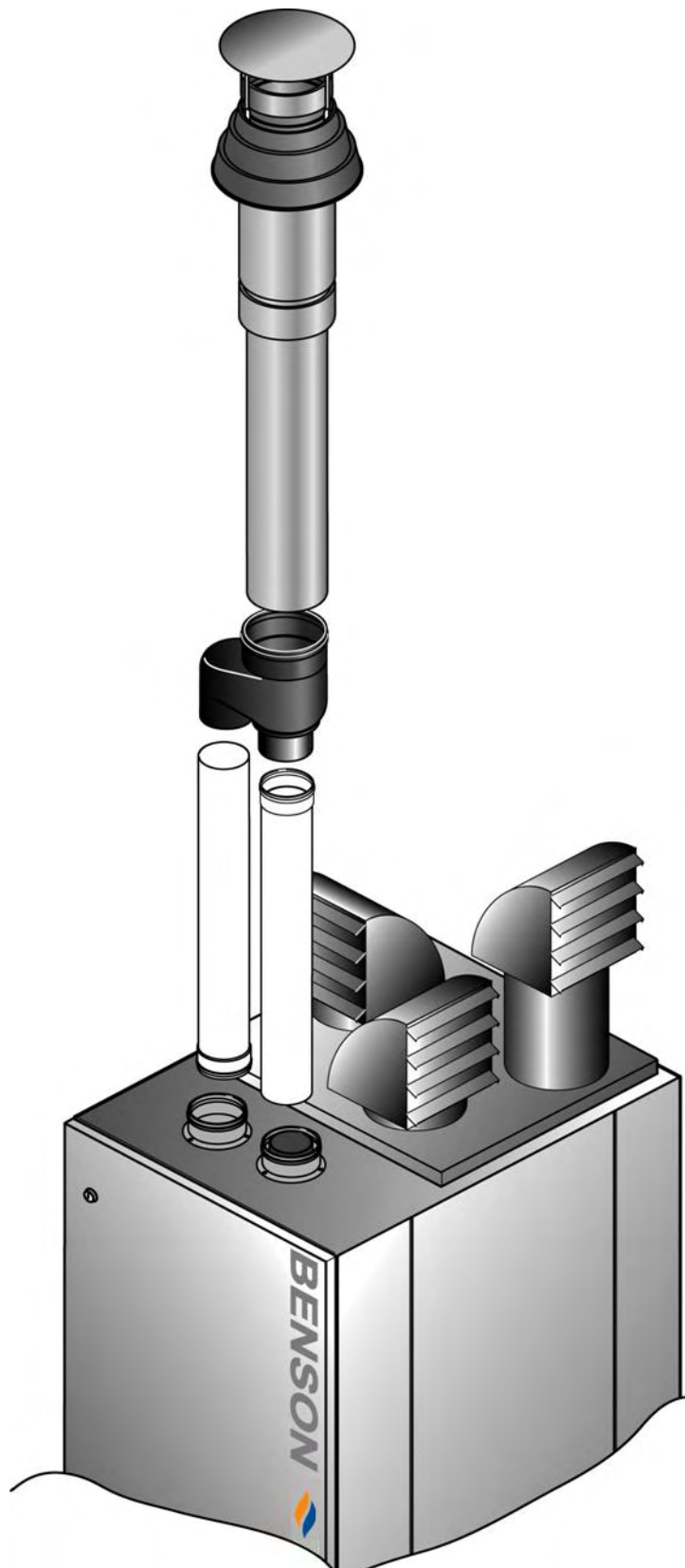
If the flue passes through a wall, ceiling, or roof made from combustible material then it has to be sleeved so as to provide a minimum of a 25mm void between the exterior of the flue and the internal wall of the sleeve.

For double wall flue pipe conforming to BS 4543-2 and 3 the external skin and air gap constitutes insulation to a standard where no extra clearance from combustible material is required other than normal installation tolerances

Double walled pipe conforming to BS 715

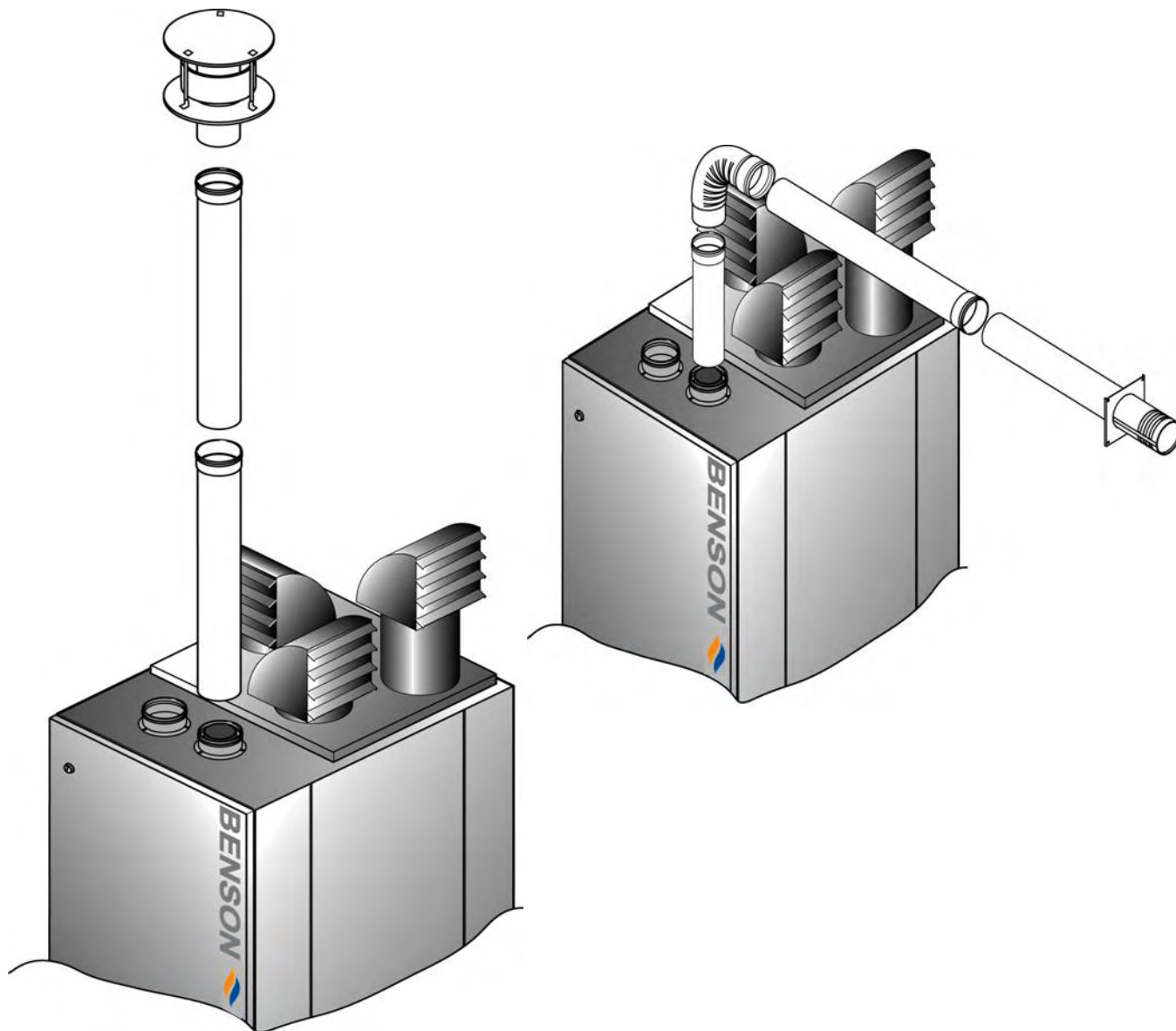
C₃₂ Vertical Co axial flue Kit Option

In this configuration the heater is connected to a vertical flue system discharging the products of combustion and bringing in the combustion air from outside the building in which the heater is located.



B₂₂ Single flue Option

In this configuration the heater is connected to a single flue pipe to discharge the products of combustion outside the building either through the roof or through a wall. The air for combustion is taken from inside the building.

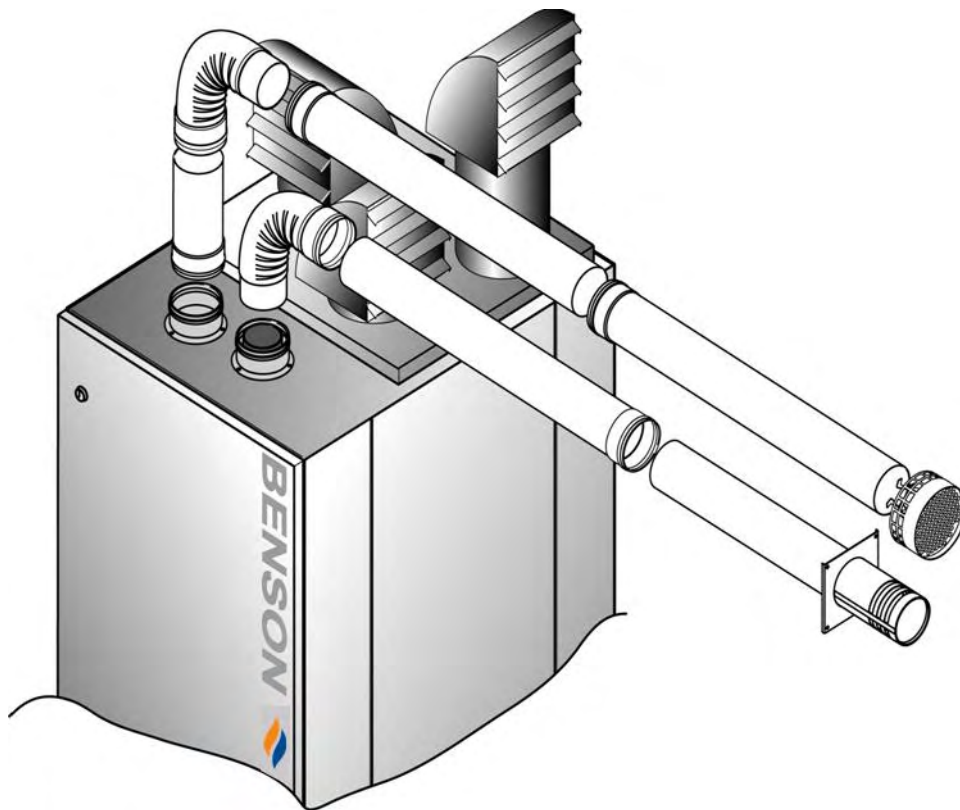
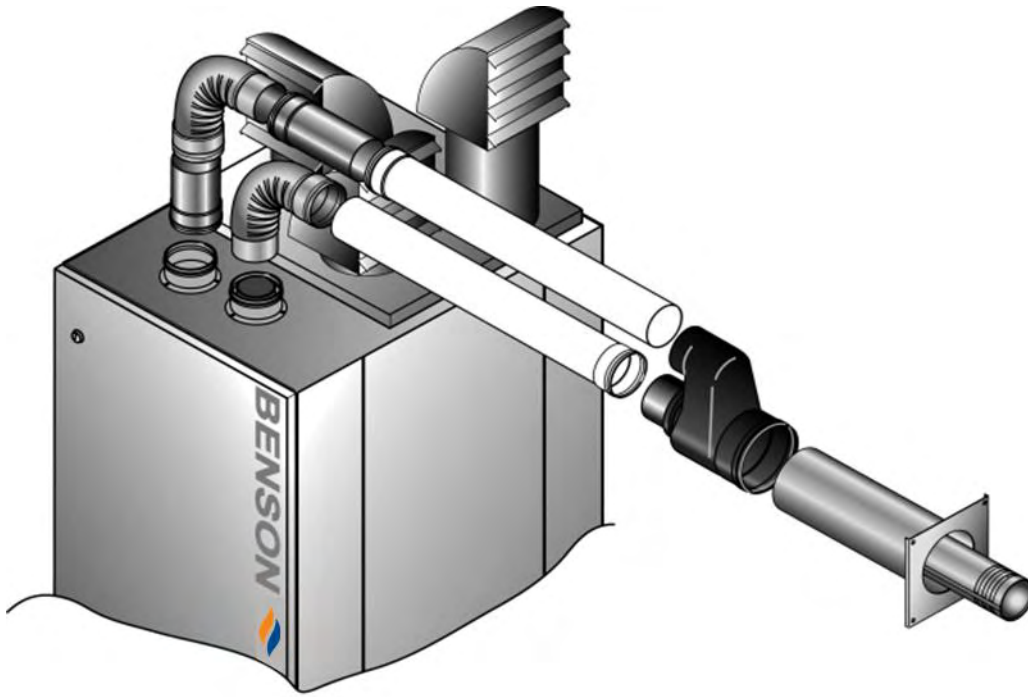


Heater	Unit	HORIZONTAL		VERTICAL	
		Flue Exit MIN.	MAX. COMBINED LENGTH	Flue Exit MIN.	MAX. COMBINED LENGTH
30	m	1,00	6,00	1,00	10,00
50	m	1,00	6,00	1,00	10,00
72	m	1,00	8,00	1,00	10,00
95	m	1,00	8,00	1,00	10,00
120	m	1,00	8,00	1,00	10,00
145	m	1,00	8,00	1,00	10,00

Option C₁₂

In this configuration the heater is connected to a horizontal flue system discharging the products of combustion and bringing in the combustion air from outside the building in which the heater is located.

The outlet / inlet must be through the wall and may be made with a horizontal coaxial concentric terminal or two pipe



2.5 Electrical Installation

All electrical wiring and connections must be in accordance with the relevant European, National, and Local regulations as well as to IEE Standards.

Benson PV Cabinets are available either for 230/50/1ph or 415/50/3ph supply

Warning

Ensure that the electrical supply is compatible to the heater.

ALL HEATERS ARE NEUTRALLY RESET

Ensure that the Electric and Gas supplies are turned off before any electrical work is carried out on the heater.

Also ensure that wiring cannot make contact with any metal surfaces liable to be subject to high temperatures, and where insulation of the wiring could be impaired as a result of such contact.

All PV models must be earthed.

Caution

The main electrical supply must not be switched off or disconnected as a method for stopping the heater, the exception to this is in the event of an emergency, or when the heater has been allowed to cool sufficiently to prevent any damage from being sustained to the heater or its controls (ie: during servicing). Claims for damage will not be considered if they have resulted from incorrect wiring or the incorrect use of the heater.

Each heater requires a permanent 230V 50Hz 1ph or 415V 50Hz 3ph electrical supply, which must be wired through a fused isolator fitted with a fuse of the correct rating (see section 7.1). The correct supply connection points for the live, neutral, and earth.

Wiring diagrams are also detailed within this manual, (section 6.0).

The electrical supply isolator should be mounted adjacent to the air heater in an easily accessible position to allow for servicing isolation, or emergency shut off.

Electrical panel

Warning

Ensure that the mains isolator is turned **OFF** before undertaking any electrical work on the heater.

Access to the electrical panel is gained by opening the front panel.

Warning

Ensure that all connections are secure and that there are no loose strands which could bridge across the terminals.

A minimum conductor size of 1.0 mm (diameter) is required.

Remote Control Panels

Warning

Isolate panel before working on heater

One electrical panel per heater is required, unless heaters are specified for multiple heater control applications. On no account should more than one heater be connected to a single time switch or thermostat.

The only exception to this is when a control panel suitable for multiple heater applications is supplied by the manufacturer. Any ancillary electrical items e.g. room thermostats , time switches, remote panels etc, must be wired into the heater electrical circuit in accordance with the diagrams provided

Note

When external controls operate to switch the heater **OFF**, power to the heater should remain to allow the fan to continue to operate to sufficiently cool the heater thereby preventing damage to the heat exchanger.

Fan Control Relay

The fan control switch features normally open 230V contacts, and is wired to control the live supply to the fan motor. When the circuit is made the fan will switch on. When the thermostat or time switch shuts down

the burner, the fan will continue to run until the thermal switch has cooled sufficiently to prevent the residual heat from damaging the heater or its controls.

On start up the fan delay prevents air being circulated until the desired temperature is achieved. On

Limit Control

A fixed high temperature manual reset limit control.

Operation of this switch will shut down the heater.

If this controls require resetting the cause should be determined and rectified immediately.

Caution

The power supply to the fan must not be interrupted, the only time when power supply can be disconnected or interrupted is during servicing or in emergencies.

If there is a requirement for the heater to be switched off over night then the gas valve circuit should be opened via a time switch, etc, as per the wiring instructions and diagrams supplied within section 6.0 of this manual.

2.6 Gas installation

Warning

Please read notice on page 3 of this manual

As there have been recorded instances of the deposition of copper sulphide dust within the valves and orifices of gas appliances as a direct result of a reaction between the hydrogen sulphide contained in some natural gasses and copper pipe we recommend that the heater(s) should not be connected to any natural gas pipe distribution system which utilizes copper pipework, including final connections. Instead steel pipework should be used throughout.

In the event that it is impractical to use steel pipework or where installers are obliged or insist on using elements of copper pipework within the installation then we strongly recommend that the gas supplier be consulted as specific conditions and requirements may be necessary.

The PV Range of heaters are all manufactured and pre set for use with Natural Gas, and all feature 1/2" or 3/4" BSP connection points. Prior to installation the supply characteristics (gas type and pressure) must be checked to ensure that they are in accordance with the data plate on the heater.

The gas supplier should check that the meter and service connection to the heater are capable of delivering the required volume of gas, thereby ensuring that the minimum burner pressure can be achieved.

Consideration should be given to the pressure drop on single and multi heater installations and the effect they may have on other plant sharing the supply.

If it is necessary to fit a gas pressure booster, the controls must include a low pressure cut off switch which must be fitted on the supply / inlet side of the booster. It is also a requirement that the gas supplier is advised prior to the installation or fitting of the booster.

Each heater supply must be fitted with a separate isolating cock positioned adjacent to and upstream of the union which must be sited outside the heater.

The isolating cock should be of the 90° turn type and should be clearly marked **OPEN / CLOSED** it should also be installed so as to fall to the closed position.

An approved gas jointing compound must be used on all joints and unions and the system purged and tested for soundness prior to final connection.

The connection to the heater can be made by way of either an approved flexible coupling or rigid connection. Threaded connections must comply to ISO 288/1 or ISO 7/1 further information concerning accepted European practice is detailed in BS EN1020 1998.

The diameter of the pipework from the isolating cock to the burner must not be less than the diameter of the connection into the multiblock.

Note

Reference to The Institute of Gas Engineers publications Utilisation Procedures IGE/UP1 and IGE/UP2 together with reference to BS6891 is strongly advised.

Nozzle Hoods

Ensure nozzle hoods are pointing in the correct direction and are secured to top plate by drilling through the holes provided in the hood ring and securing with self tapping screws.

3.0 Commissioning

Note

It is a requirement that only suitably qualified and competent personnel are allowed to undertake the commissioning of the heater.

It is also strongly recommended that prior to commissioning the engineers familiarise themselves with the heater, the specific requirements of the installation / application, and the information contained within the manual.

Warning

All heaters are subject to a rigorous test programme prior to despatch, whilst such a programme does involve pre-commissioning and the setting of the heater to operate efficiently and within its designed operational limits this does not mean that the function of thorough on site commissioning is less important

It is strongly recommended that the equipment used for the sampling and analysis of the flue gases is accurate to within +/- 0.1% and maintained so that it is regularly calibrated.

The following pre-commissioning checks should be undertaken, having first ensured that the gas and electrical supplies are turned off.

- (a) Check that all panels and fasteners are secure and in place.
- (b) Check that the heater is installed safely.
- (c) Check that the flue is sealed, secured, and adequately supported.
- (d) Check that the fan is free to rotate, that the fan is secured to its shaft, and that the guards and fan assembly are all in place and properly secured.
- (e) Check that the heater is installed so that it is not tilted and remains square.
- (f) Check that the outlet louvres are set to offer minimum resistance to air flow.

3.1 Electrical pre-tests

The electrical safety checks must include the following:

- a) Test for earth continuity
- b) Test for resistance to earth
- c) Check live and neutral connections are correct.
- d) Check to ensure that when the external controls operate to switch the heater off, power remains to the fan

3.2 Gas supply pre-test

Ensure that the service pipework has been installed purged and tested in accordance with the relevant regulations, and that the installation is served by an adjacent isolating cock.

Connection from the supply to the heater must also comply with the relevant regulations (see section 8.0) and must have been purged and soundness tested by an authorised engineer

3.3 Ignition sequence

PRE START DRY RUN

In order to test that all controls are in good working order, the control sequence should first be tested with the gas supply turned **Off**. Ensure gas isolating cock is in the **Off** position

Warning

If during the following sequence of operations the heater fails to operate correctly the fault should be traced and rectified before proceeding, if necessary referring to section 5.0 fault diagnosis.

- a) Switch off the main electrical supply to the heater.
- b) Turn off gas supply to the heater.
- c) Open side panel, and connect manometers to the gas supply test point and to the main burner test point.
- d) Ensure outlet louvres are correctly set.
- e) Ensure fan rotation is not impaired or obstructed.
- f) Set room thermostat to its lowest setting.
- g) If a time switch is fitted ensure it is set to an ON period.
- h) Switch on electrical supply.
- i) Use leak tester to test for soundness on the unions and pipework.
- j) Operate the heater through the installed control system.

On start the signal will activate the flue venter for a pre purge period and in turn will make the air proving switch, once made, the air proving switch will complete the circuit to the control box and after a **40 second Delay** the automatic control should attempt light the burner, because the gas is turned off and flame cannot be established , the control box will go to **LOCKOUT**.

- k) Reset the control on completion of dry run.
- l) Open gas cock.
- m) Operate heater through installed control.

The flue venter will pre purge the heater and in turn operate an air proving switch which completes the electrical circuit to the control box after a **40 second Delay** the control will open the gas solenoid valve and the main burner will light.

The flame can be observed at the burner manifold, check that the burner is providing a good flame i.e. even and stable.

- n) Check pressure readings on the manometers, and continue to let the heater fire for ten minutes.
- o) When the fan starts ensure that the direction of rotation is correct , and that the fan start is within 2 minutes of burner ignition.

Caution

If the fan fails to operate within approximately 2 minutes and the heater goes to overheat it will shut down through breaking the circuit to the gas valve, the cause must be ascertained and rectified before re-ignition.

Once the limit thermostat has tripped out it must be manually reset to allow re-ignition to take place.

- p) After ten minutes check burner head pressure is as specification - adjust as necessary by removal of the gas pressure adjustment cover, and using a screwdriver turn the adjustment screw on the governor as follows: Clockwise to increase. Anti clockwise to decrease.

- q) Check that the gas pressure remains satisfactory for all appliances on the same

circuit.

- r) Undertake combustion tests checking CO CO² and efficiency (see section 7.0) CO should not exceed (20PPM).

- s) Check that the burners are extinguished when the thermostat is set to its lowest setting, and then remove the manometers.

- t) Turn the thermostat to its highest setting to re light the burner and replace the adjustment screw cover.

On completion mark the gas valve adjustment screw with paint/sealant to prevent tampering with valve

- u) Turn the thermostat to its lowest setting and shut off the gas supply at the gas control valve, allow the fan to continue to run until the heater is cooled sufficiently for the fan to shut down.

- v) Turn off the electrical supply.

- w) Close the side panel.

- x) Set thermostat to desired setting.

- y) Ensure that the user is familiar with the heater and its controls and that the user is satisfied with the commissioning and testing, and that he is aware of the instructions within the manual.

It is strongly advised that the commissioning engineer runs through the lighting, shutdown, and general safe and efficient running of the heater before hand over.

On Completion of commissioning the fan belts should checked for the correct tension

3.4 Hand over

Upon satisfactory completion of commissioning and testing, a record of commissioning information (contact name date etc) should be made in the log book left with the heater by the commissioning engineer together with the user instructions.

At the same time the user should be made aware of the most efficient and economical methods of operation.

The user **must** be familiar and satisfied with the safety, ignition, shutdown, and general operational procedures.

4.0 Servicing

Warning

It is a requirement that only qualified personnel are allowed to carry out installation commissioning or servicing.

In addition only spare parts recommended by the manufacturer may be fitted, and the installer should provide a list of recommended spare parts that are available through the manufacturer or his agent (see section 8).

Before commencing any maintenance or servicing work the heater must be shut down and allowed to cool, and have the gas and electric supplies to it turned off at the supply cock and isolator respectively.

Always test for gas soundness after completing any service work particularly if this has necessitated the removal and / or replacement of gas carrying components.

It is advisable that routine inspections are carried out on a frequent basis, servicing must also be carried out regularly, and in accordance with the manufacturers recommendations i.e. at a maximum interval of one year. In certain applications the frequency of servicing will have to be increased, this to a large extent is governed by the working environment, and both the manufacturer and the installer will be able to offer further advice.

Clean all accessible surfaces including the outside of the tubular heat exchanger by removal of the rear panel.

Check for panel damage and that all fasteners are present and secure.

Visually check all electrical wiring for signs of damage, possibly through contact with hot surfaces, check conduit for signs of chaffing and for security . Check all terminals are secure and free from escaped / stray conductor strands.

4.1 Servicing procedure - major component parts

Heat exchanger

Remove rear panel and carry out visual inspection of the tubular heat exchanger using an inspection lamp and mirror.

Check seams and joints for perforations. Check for severe corrosion and splits in the heat exchanger.

Check that there are no blockages and that there is not an excessive build up of soot within the heat exchanger tubes.

If required remove the burner manifold allowing access for cleaning, with a flexible flue brush and vacuum cleaner.

Warning If the heat exchanger is found to be perforated the heater must not be fired until a replacement heat exchanger has been fitted

Injectors and Manifold

Undo the gas pipe connection.

Remove the manifold fixing screws. Remove the manifold and injector assembly from the right hand side of the heater.

Check that the manifold is straight, the injectors are correctly aligned, and that they are clean, and that there are no contaminants restricting the orifices, if necessary clean carefully with compressed air and or lint free cloth and acetone.

Caution

The injector orifice is precision machined to fine tolerances, do not clean with hard sharp or abrasive instruments. If the injectors have been removed from the manifold, when they are replaced, and care should be taken not to over tighten.

Ensure all joints are gas tight.

Fan and Limit Thermostats

Open the front door, so as to gain access. Remove securing screw from cover, remove

cover plate and disconnect the cables. Remove the screws which secure the unit to the side of the heater and withdraw the thermostat complete from the heater.

Flue System

Check that the flue is in good condition, that it is adequately supported, that there are no blockages or restrictions.

Check that any joints are properly sealed preventing an escape of products of combustion.

Check condensate drain if fitted .

Check for signs of water ingress and any resultant damage.

Flue Venter

Check that the flue fan is clean and free from any dust deposits

Differential Air Pressure Switch

Check that the tubes are connected and clear and free from dust.

Check that they are not kinked or damaged. Check electrical connections are intact.

Fan and Motor complete

Check that the fan is secure and rotates freely without excessive play in the shaft. The fan blades and motor should be cleaned using a soft brush.

Check that the bearings do not show signs of excessive wear.

It should be noted that these bearings do not require lubricating.

Main Fan Motor

Remove access panel. Dust and other foreign matter should be cleaned by blowing over with compressed air and through the use of a soft bristle brush and cloth. Solvent wipes may be used to remove heavy soiling from the motor casing.

The electrical connections should be checked as follows.

The cover to the terminal box should be removed by undoing the screws, which secure it.

Check connections for signs of corrosion, tightness, and ensure that there are no stray strands which could form a short circuit. Clean, tighten, and replace as necessary.

Replace cover and secure.

Main Fan

Remove dust and other foreign matter by blowing off with compressed air or through the use of a soft bristle brush. Check that the bearings do not show signs of excessive wear.

It should be noted that these are sealed bearings if they are worn the whole fan assembly will require replacement the following procedure should be carried out.

- (a) Release the tension on the belt(s) and remove.
- (b) Unbolt and remove fan from heater
- (c) Remove taperlock and pulley
- (d) Fit taperlock and pulley to new fan
- (e) Refit fan into heater and bolt in place .
- (f) Refit the belts.
- (g) Turn by hand to ensure free fan rotation.

Pulleys

Check pulleys for alignment using a straight edge, if necessary reposition either or both of the pulleys and the fan motor.

Check for excessive wear within the root and sides of the grooves, and check for any other signs of wear or damage, if necessary replace the pulley as follows.

- (a) Release tension on belts and remove.
- (b) Release the taper locks by slackening the securing screws by several complete turns.
- (c) Fully remove one screw from the taper lock, and having oiled it, insert into the threaded jacking point.
- (d) Tighten screw until the taperlock is free.
- (e) Remove taperlock and pulley.

- (f) Fit taperlock in new pulley, and provisionally position on the shaft.
- (g) Remove the screw from the jacking point, and tighten both screws in their clamping points until the pulley can just be moved on the shaft by hand.
- (h) Align pulleys using a straight edge, and by gradual alternate tightening of the screws clamp in position.
- (i) Refit belts and check for the correct amount of tension.

Fan Belts

Check belts for signs of wear. Frayed or split belts must be replaced **using belts with a common batch code**. Belt tension must be checked, and if on multi-belt units it is found that one belt contains more slack than its accompanying belts, then all the belts on the unit must be replaced, again using a common batch code. Replacement and tensioning is carried out as follows.

Note

The maximum displacement at the mid point of the top edge of the belt must not be greater than 16mm per metre of span, when a force of 3kg is applied in a plane perpendicular to the belt.

- (a) Loosen fan motor securing bolts on chassis.
- (b) Loosen fan motor slide adjustment bolt.
- (c) Slide motor towards fan to slacken belts.
- (d) Replace belts, pull fan motor away from fan until belts are tight.
- (e) Tighten adjustment bolt to hold motor.
- (f) Tighten fan securing bolts ensuring that the fan is square and the pulleys aligned.
- (g) Check belt tension, making final adjustments as necessary.
- (h) Tighten and clamp fasteners to hold fan motor in position.

Automatic Controls

Automatic control is by way of a Honeywell controller.

Spark Ignition is via an ignition electrode. Ensure that the ceramic insulation material is not damaged or cracked.

Flame supervision is via a flame sensor rod.

Check the flame sensor rod for signs of pitting or corrosion, ensure that the ceramic insulation material is not damaged or cracked. Check connections are secure.

Main Governor

To adjust the main governor, using a screwdriver remove the metal cover to reveal the adjustment screw, and turn as follows :

Clockwise to increase pressure.
Anticlockwise to decrease pressure.

It should be noted that full clockwise adjustment will result in the valve being closed permanently.

Gas Supply

The gas supply pipe work and fittings should be inspected to ensure they are free from corrosion and that where brackets have been fitted these remain secure and offer adequate support. The system should be soundness tested in accordance with Institute of Gas Engineers recommendations detailed in Utilization Procedures IGE/ UP-1 and 2

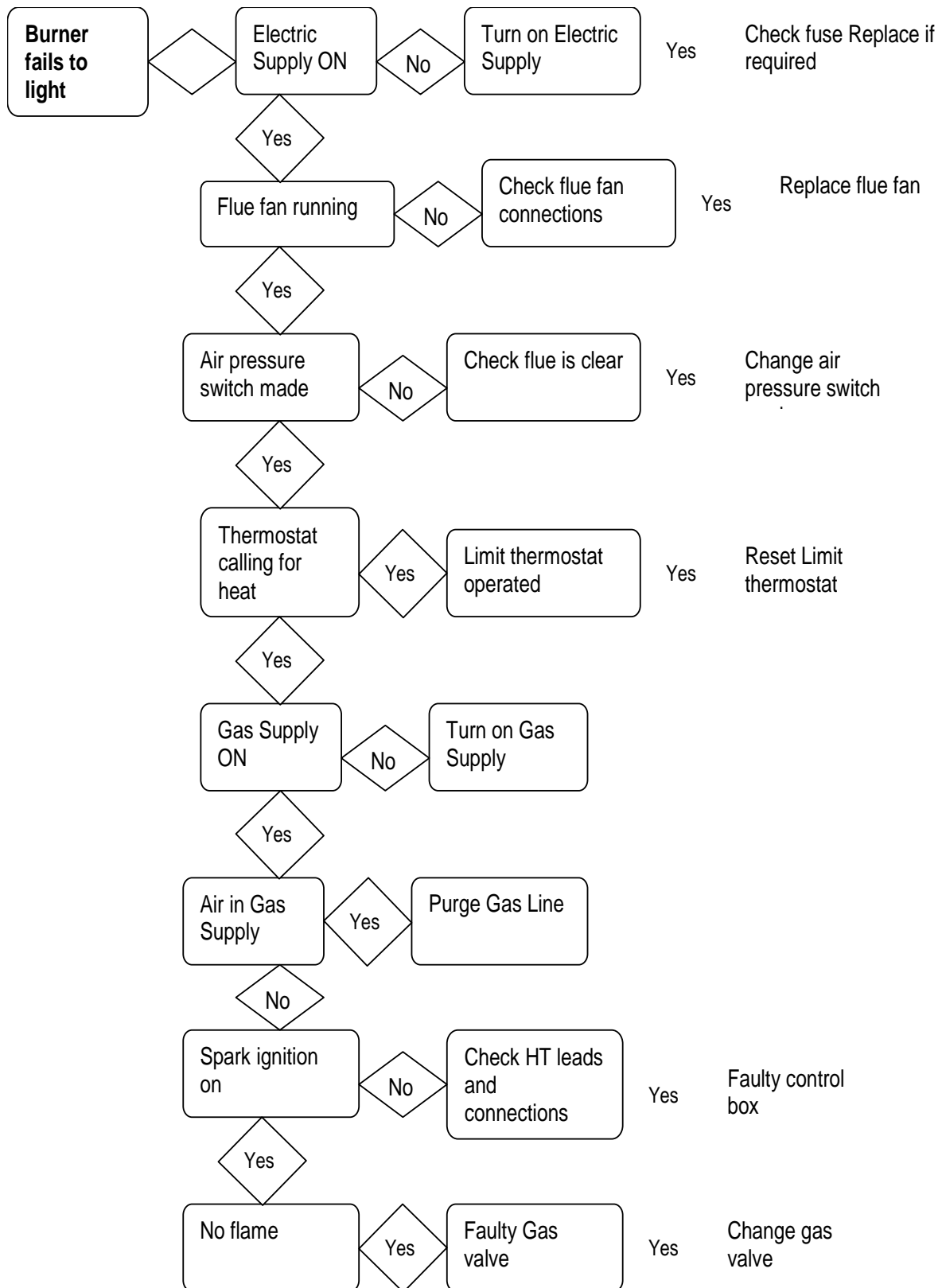
Test

Test and re-commission as per sections 3.0 to 3.4 inclusive

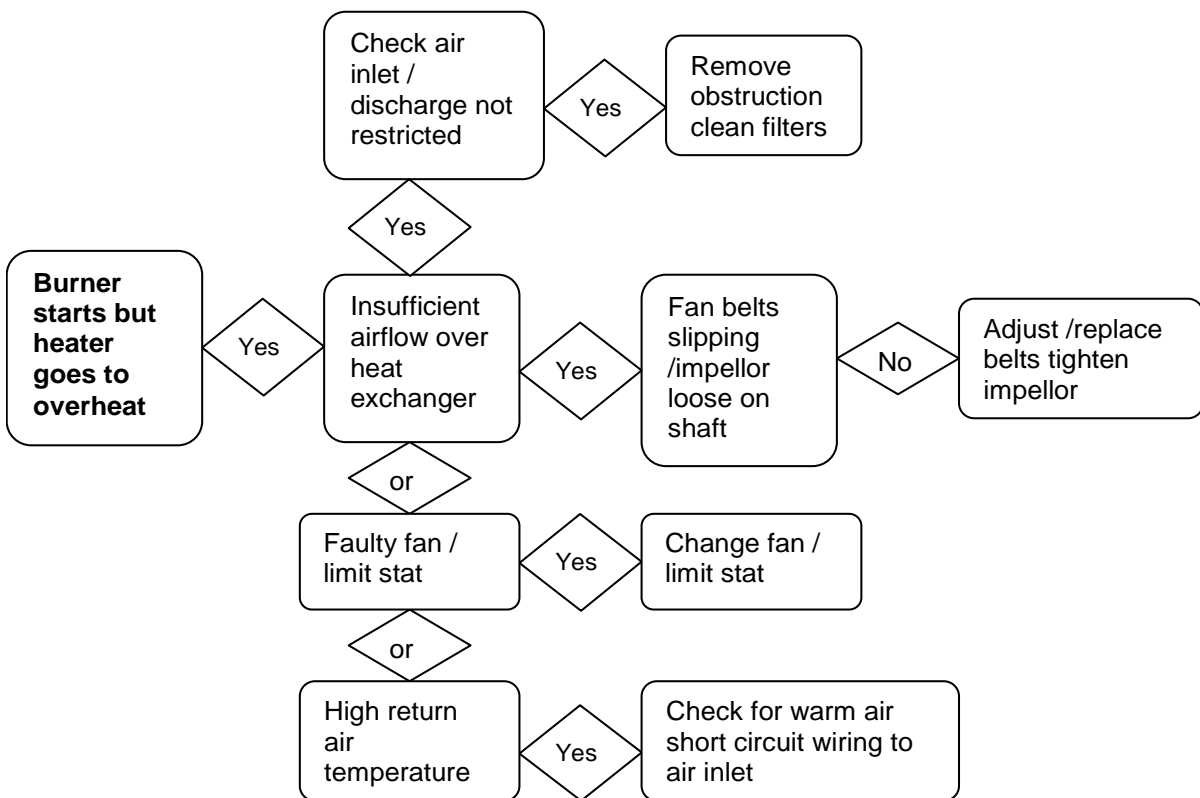
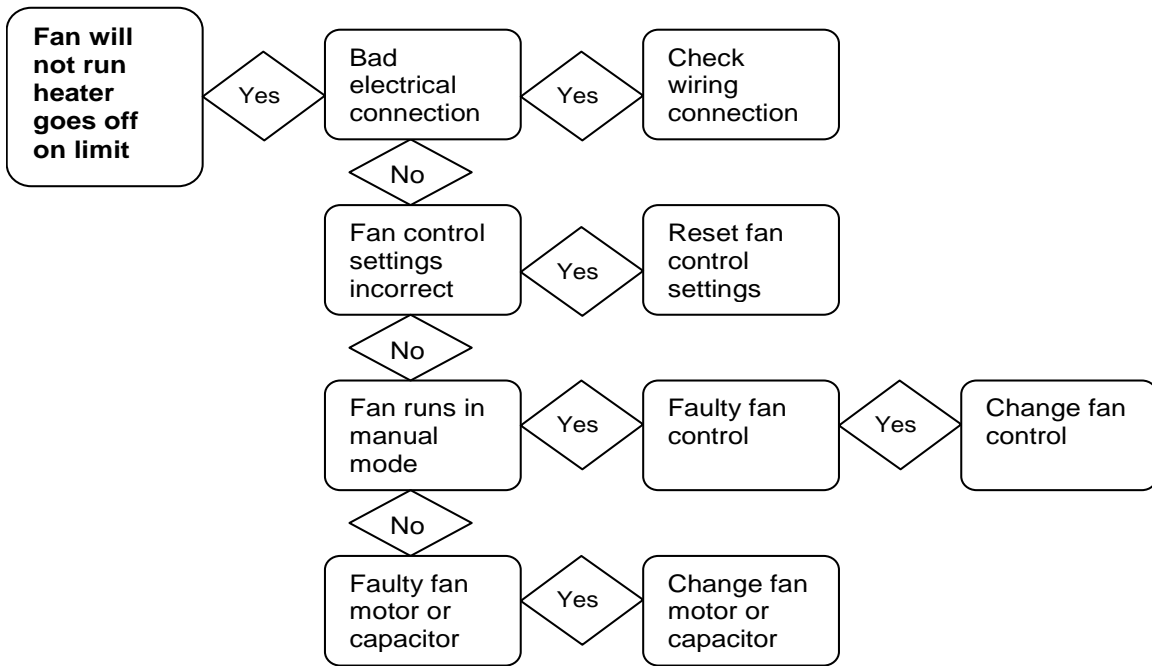
Report

A full and detailed service report should be prepared, it is advised that the report is not completed until the heater has been re-commissioned, where upon the completed report can then be run through with the user. This must be regarded as a necessary part of the heater service by the servicing engineer.

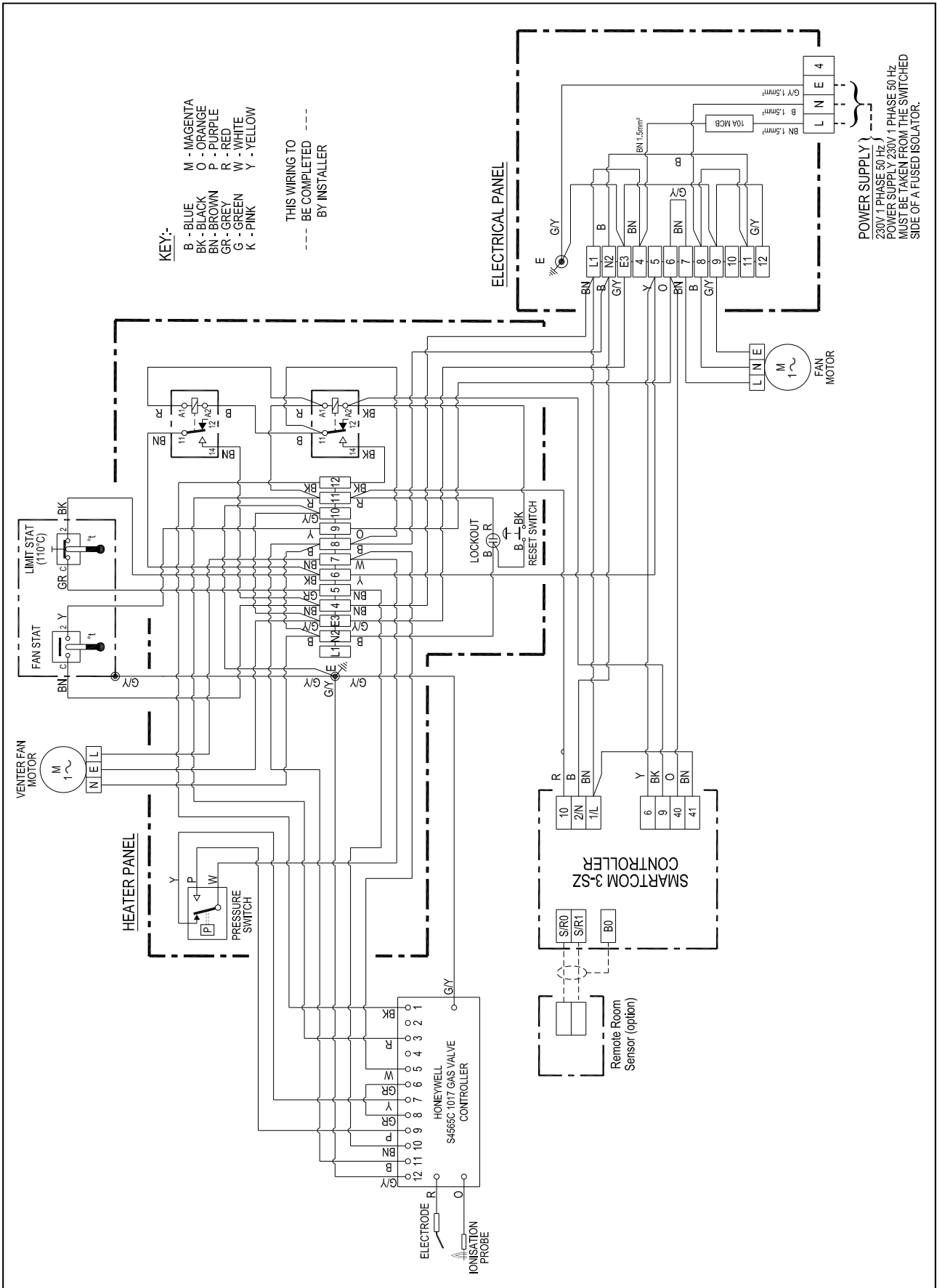
5.0 Fault finding



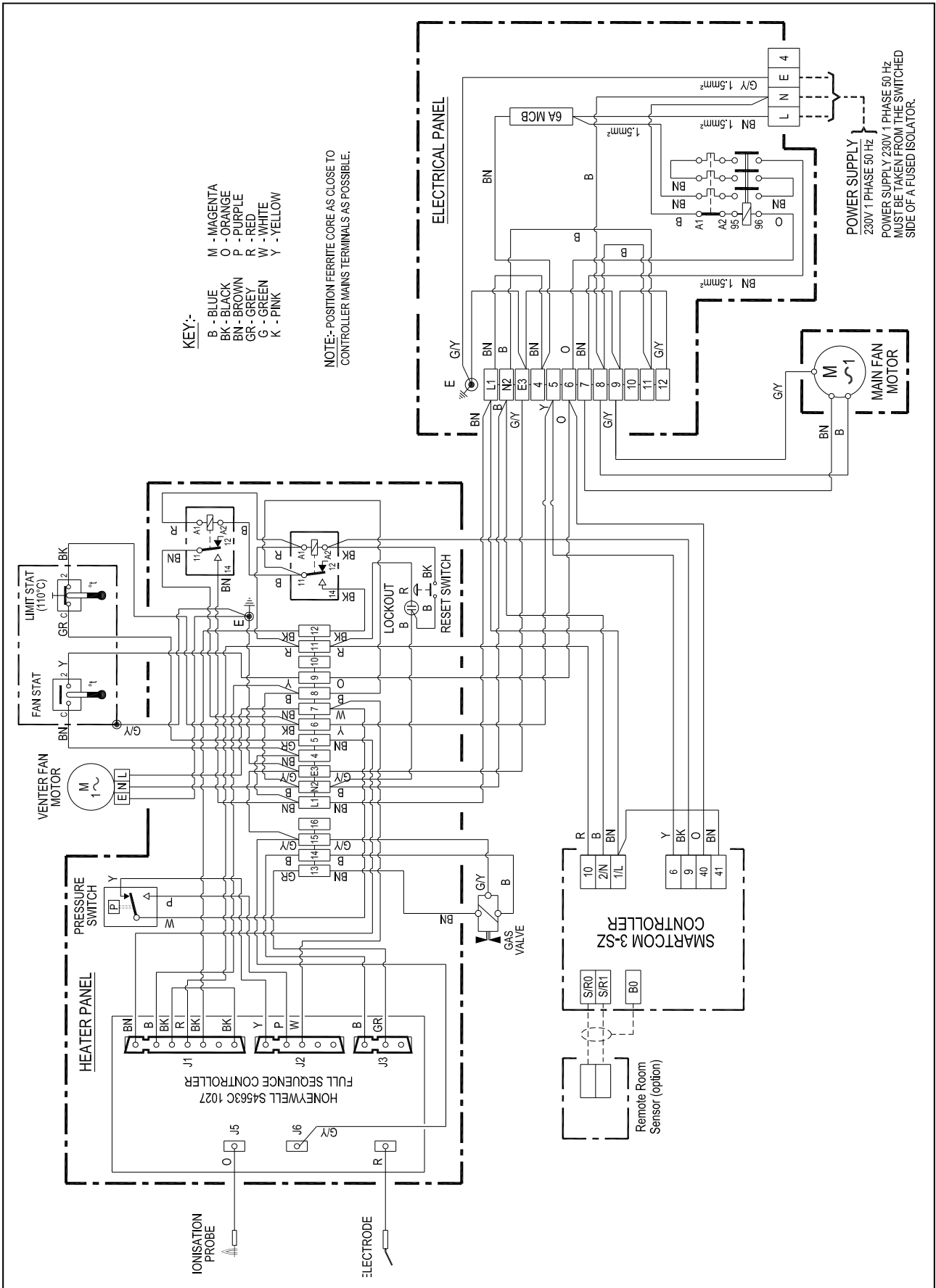
Fault finding cont'd



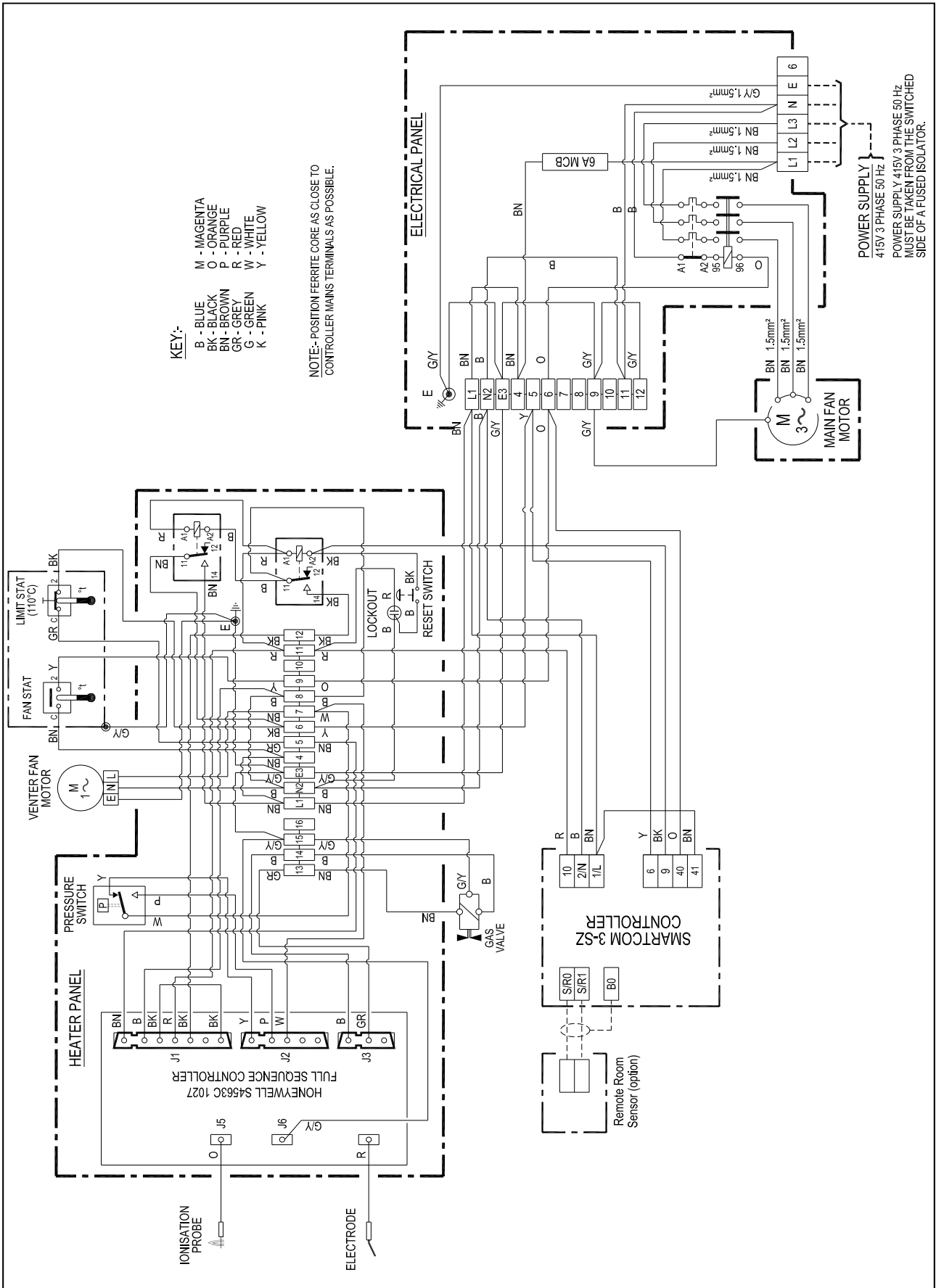
Wiring Diagram 33-66-539
PV 30-50 ON/OFF Auto Ignition
SC³-SZ 230/50/1ph (SmartCom Integral Controller)



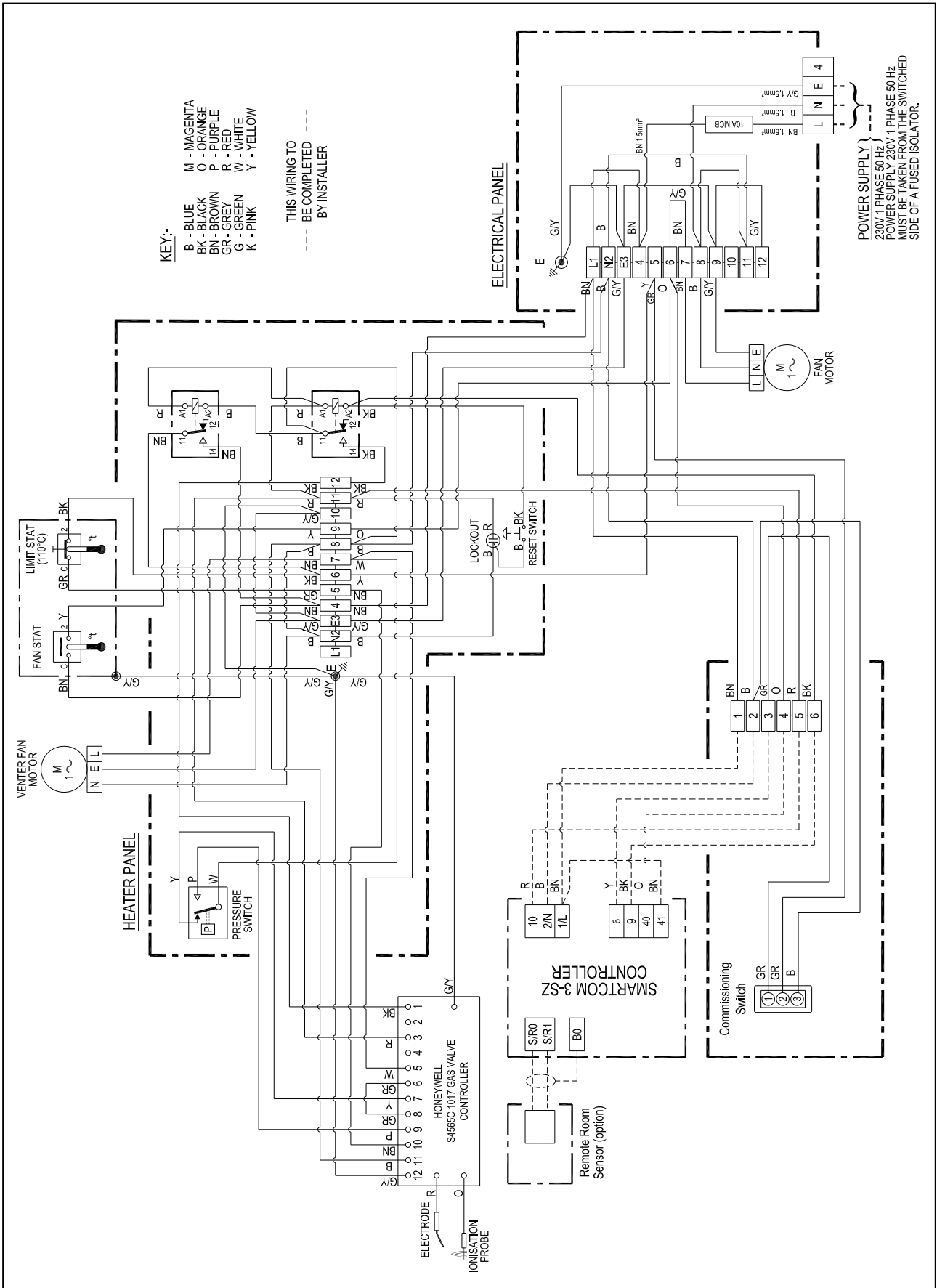
Wiring Diagram 33-66-540
PV 72-145 ON/OFF Auto Ignition
SC³-SZ 230/50/1ph (SmartCom Integral Controller)



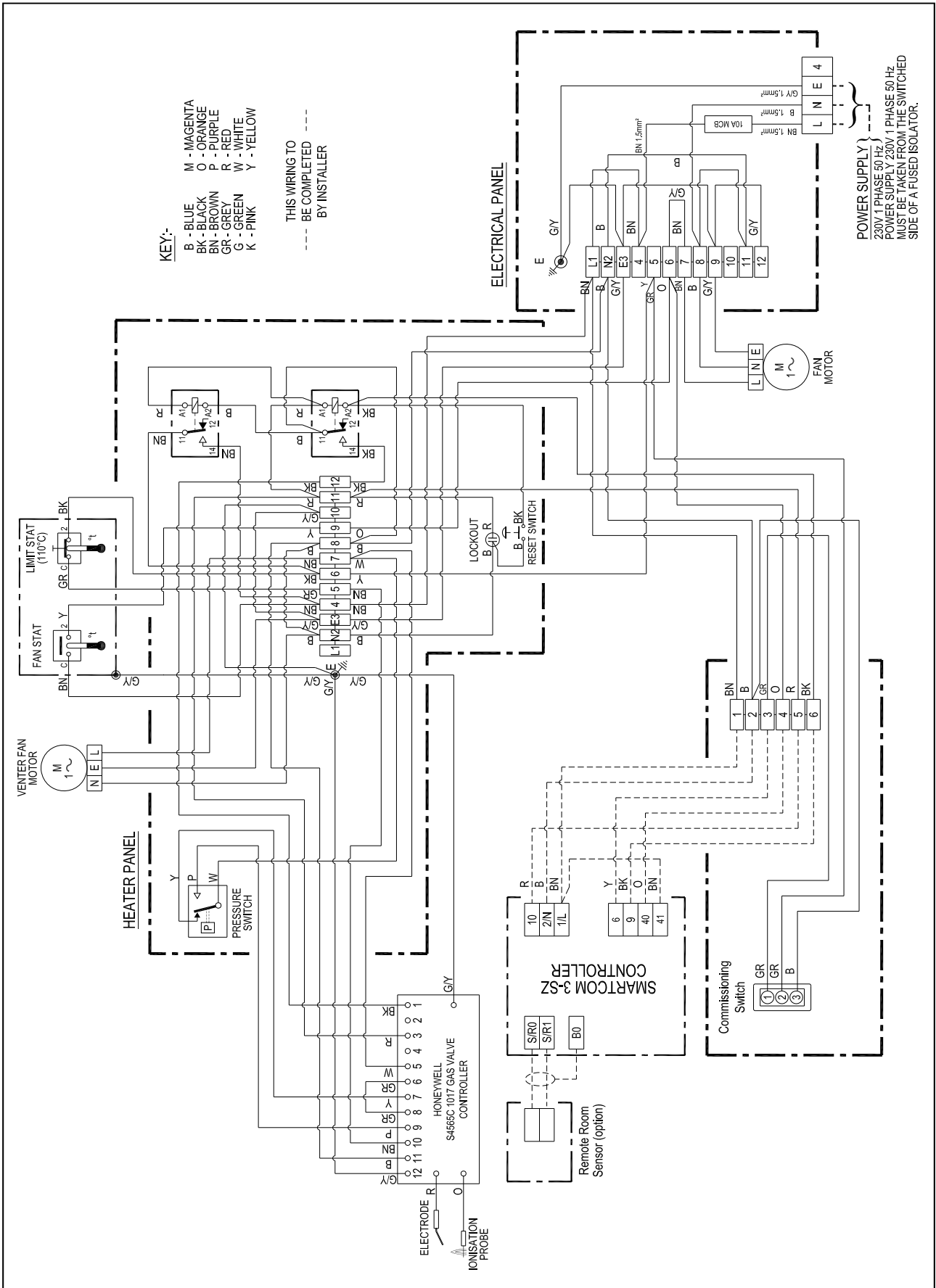
Wiring Diagram 33-66-541
PV 72-145 ON/OFF Auto Ignition
SC3-SZ 415/50/3ph (SmartCom Integral Controller)



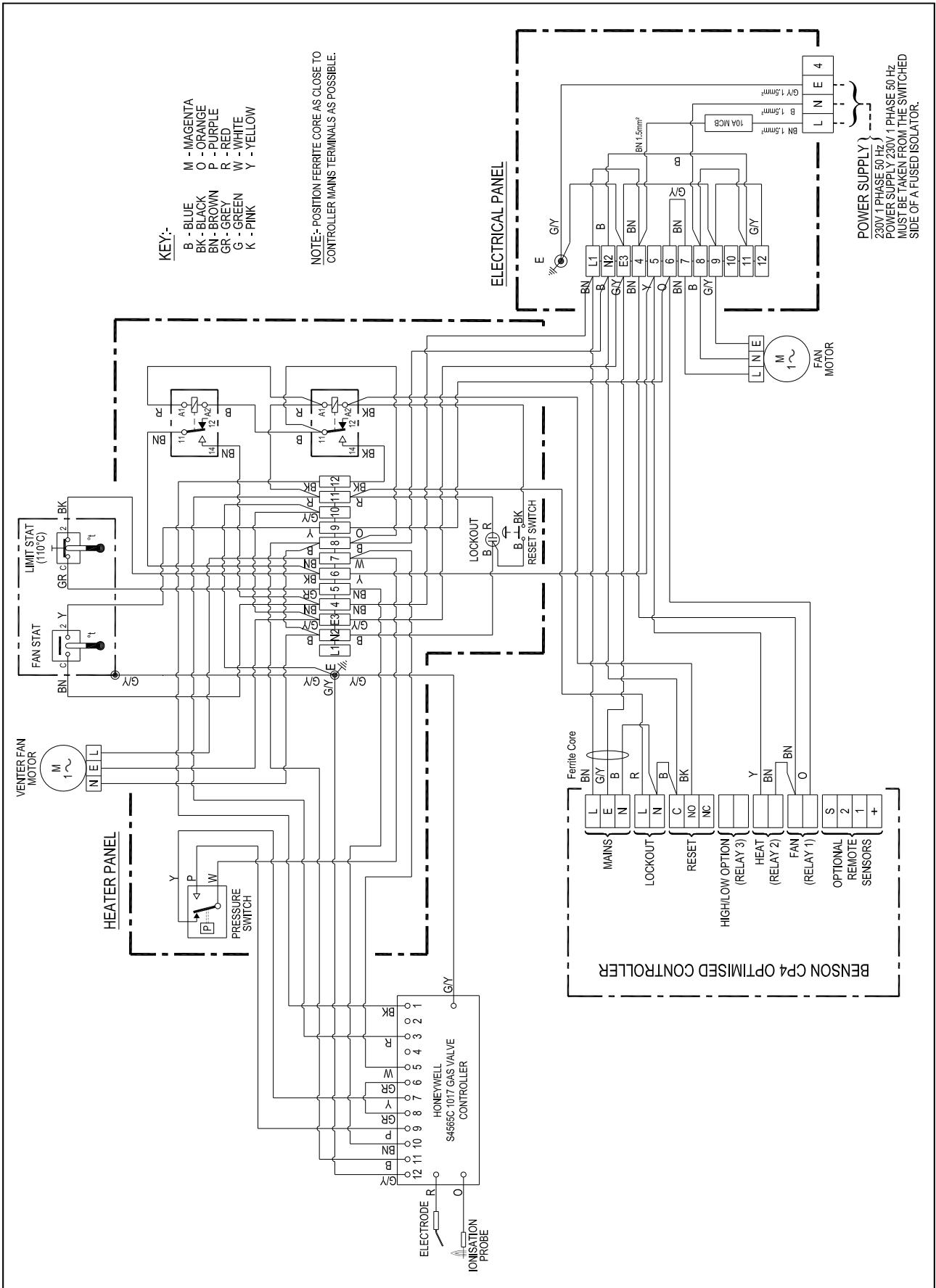
Wiring Diagram 33-66-542
PV 30-50 ON/OFF Auto Ignition
SC³-SZ 230/50/1ph (Remote SmartCom Controller)



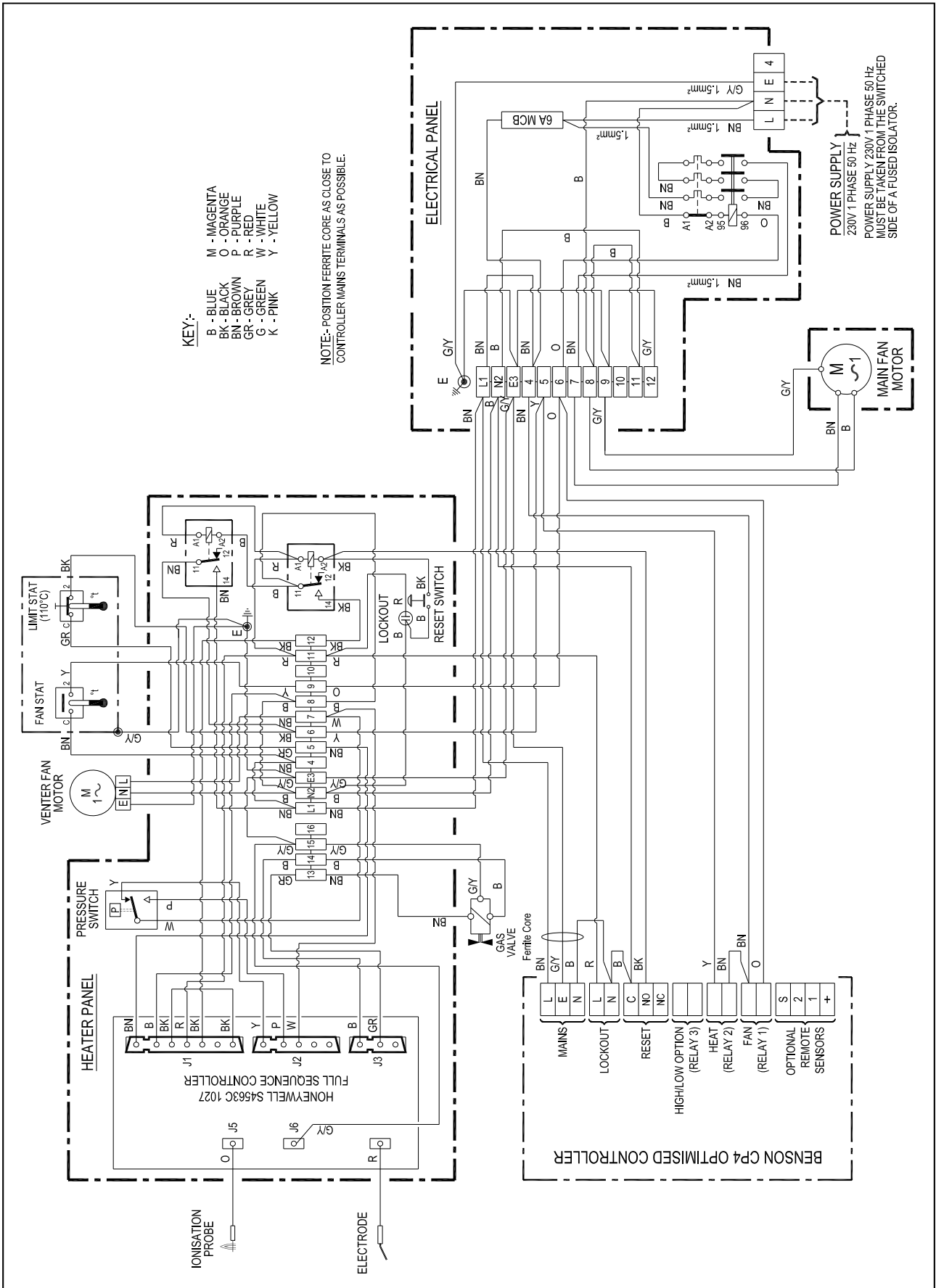
Wiring Diagram 33-66-543
PV 72-145 ON/OFF Auto Ignition
SC³-SZ 230/50/1ph (Remote SmartCom Controller)



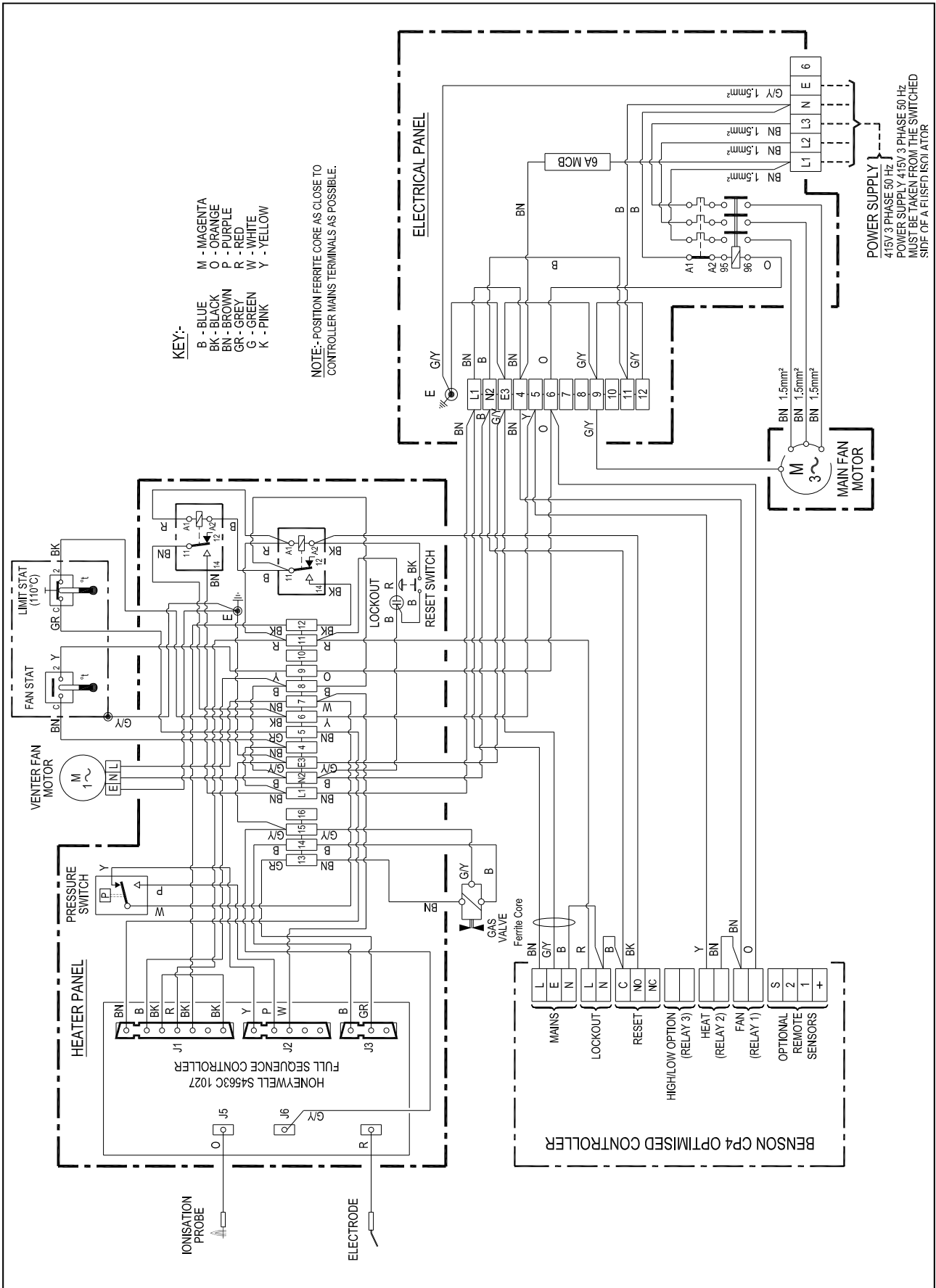
**PV 30-50 ON/OFF Auto Ignition
CP4 230/50/1ph (Integral CP4 Controller)**



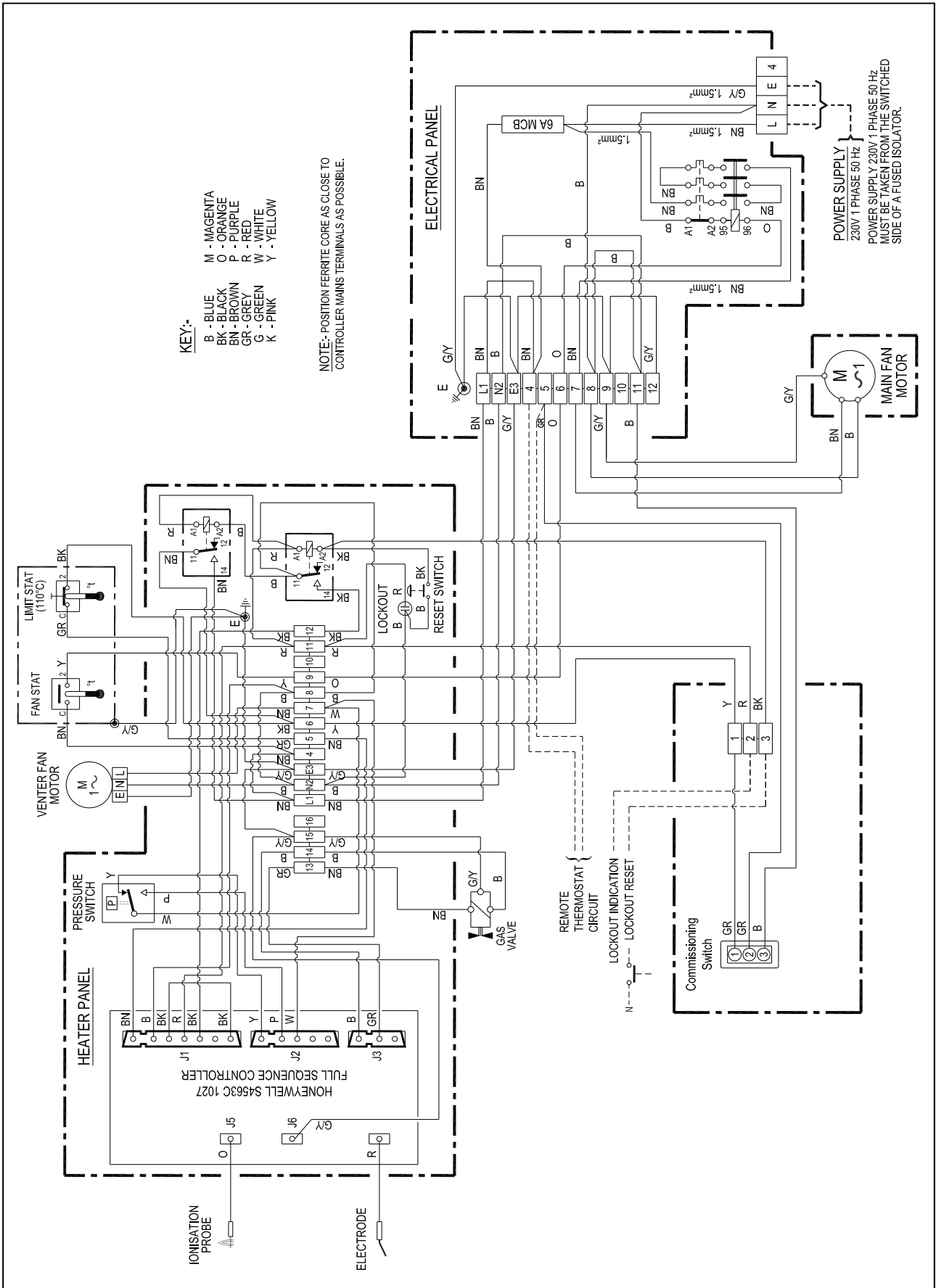
Wiring Diagram 33-66-537
PV 72-145 ON/OFF Auto Ignition
CP4 230/50/1ph (Integral CP4 Controller)



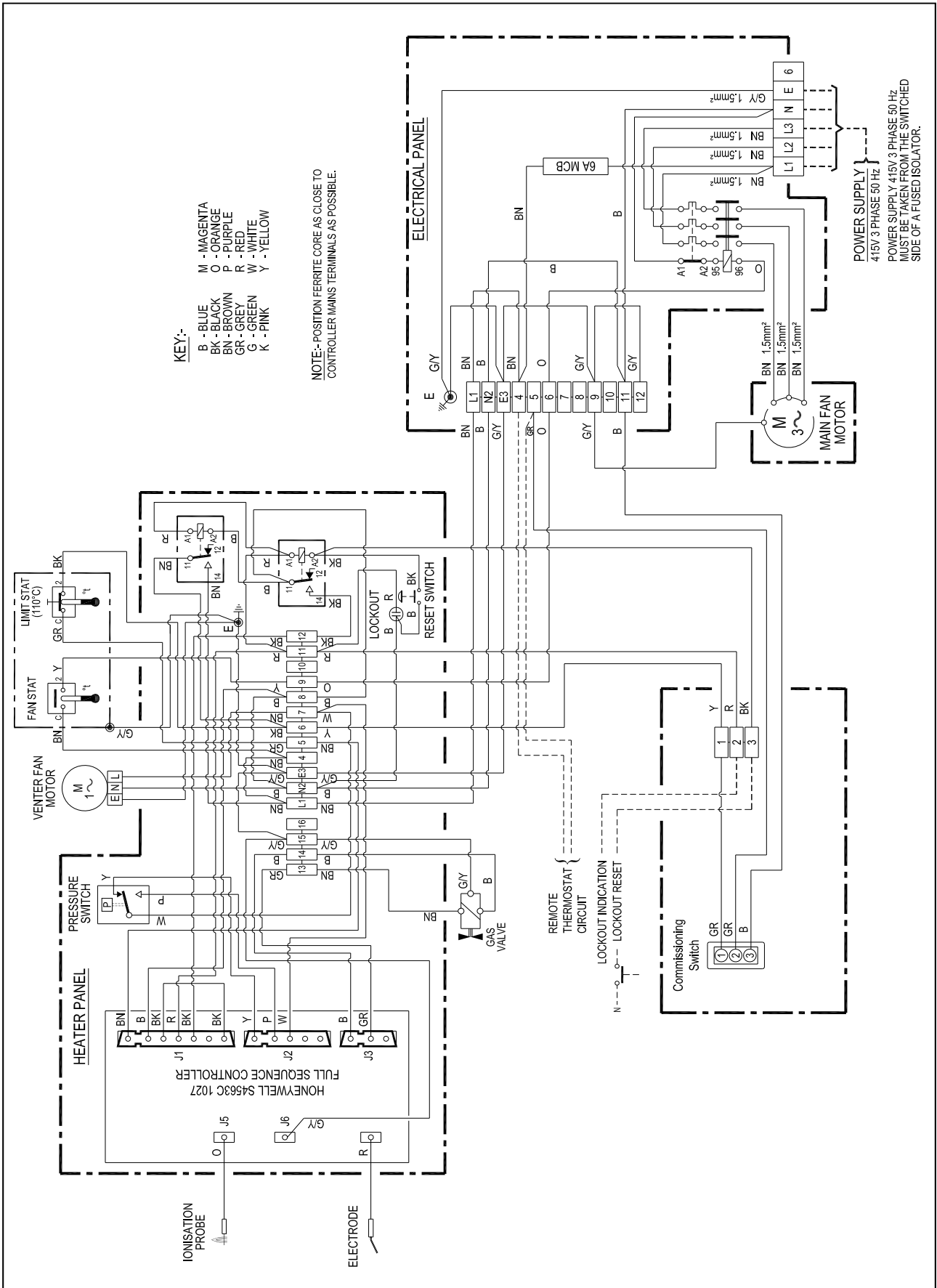
Wiring Diagram 33-66-538
PV 72-145 ON/OFF Auto Ignition
CP4 415/50/3ph (Integral CP4 Controller)



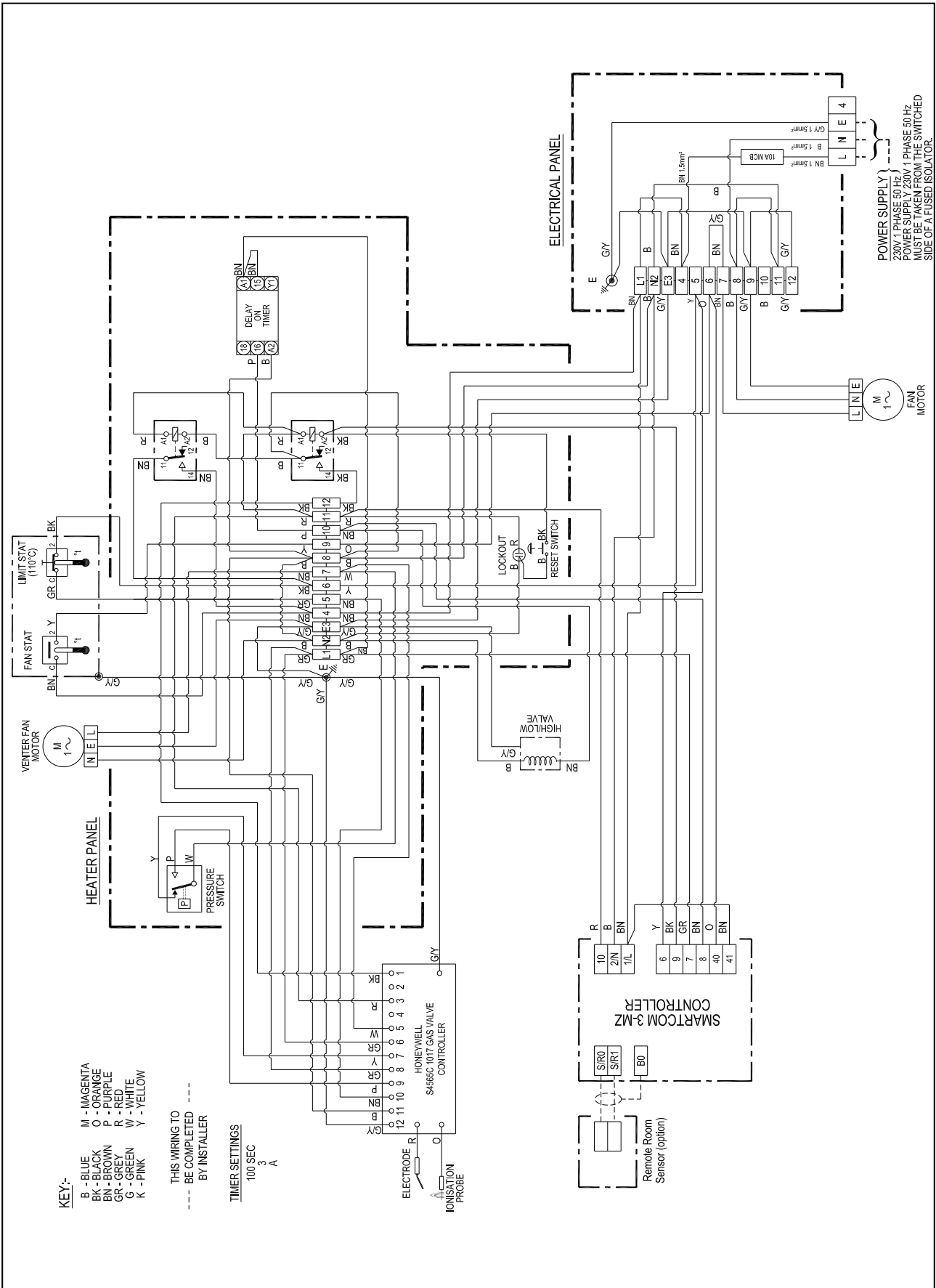
Wiring Diagram 33-66-549
PV 72-145 ON/OFF Auto Ignition
Less Controls 230/50/1ph (No Controller)



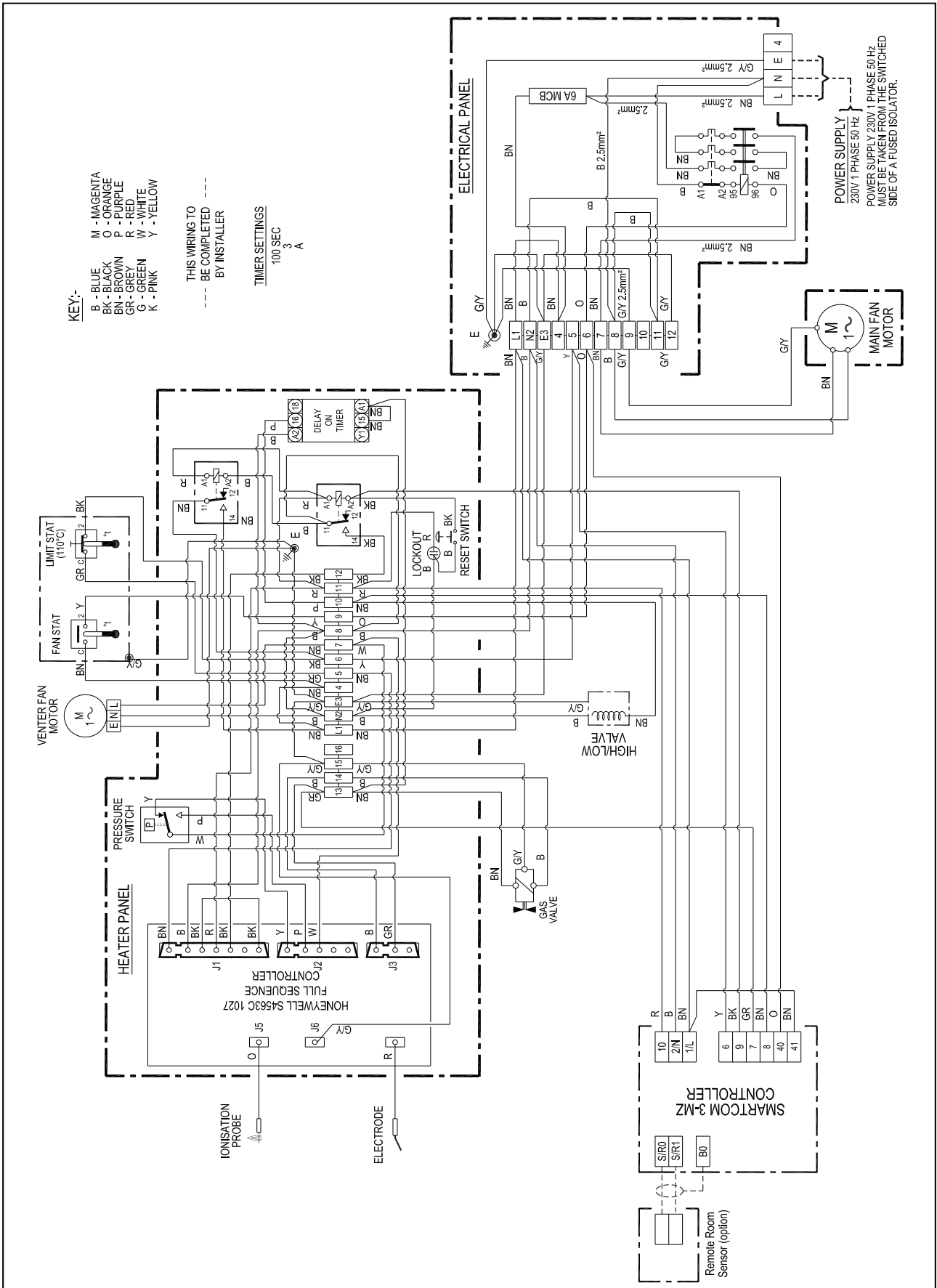
Wiring Diagram 33-66-550
PV 72-145 ON/OFF Auto Ignition
Less Controls 415/50/3ph (No Controller)



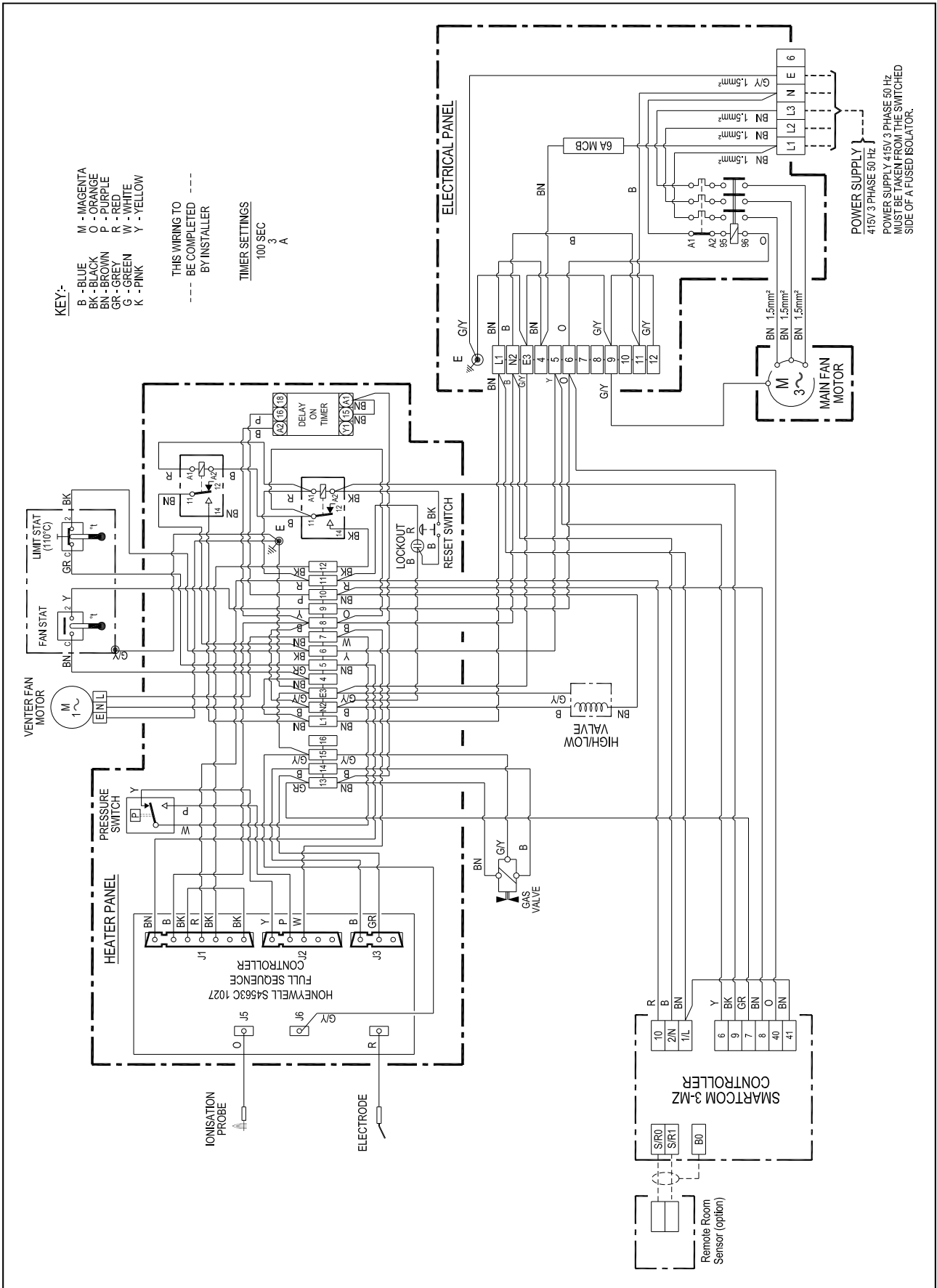
Wiring Diagram 33-66-557
PV 30-50 HI/LOW Auto Ignition
SC³-MZ 230/50/1ph (Integral SmartCom Controller)



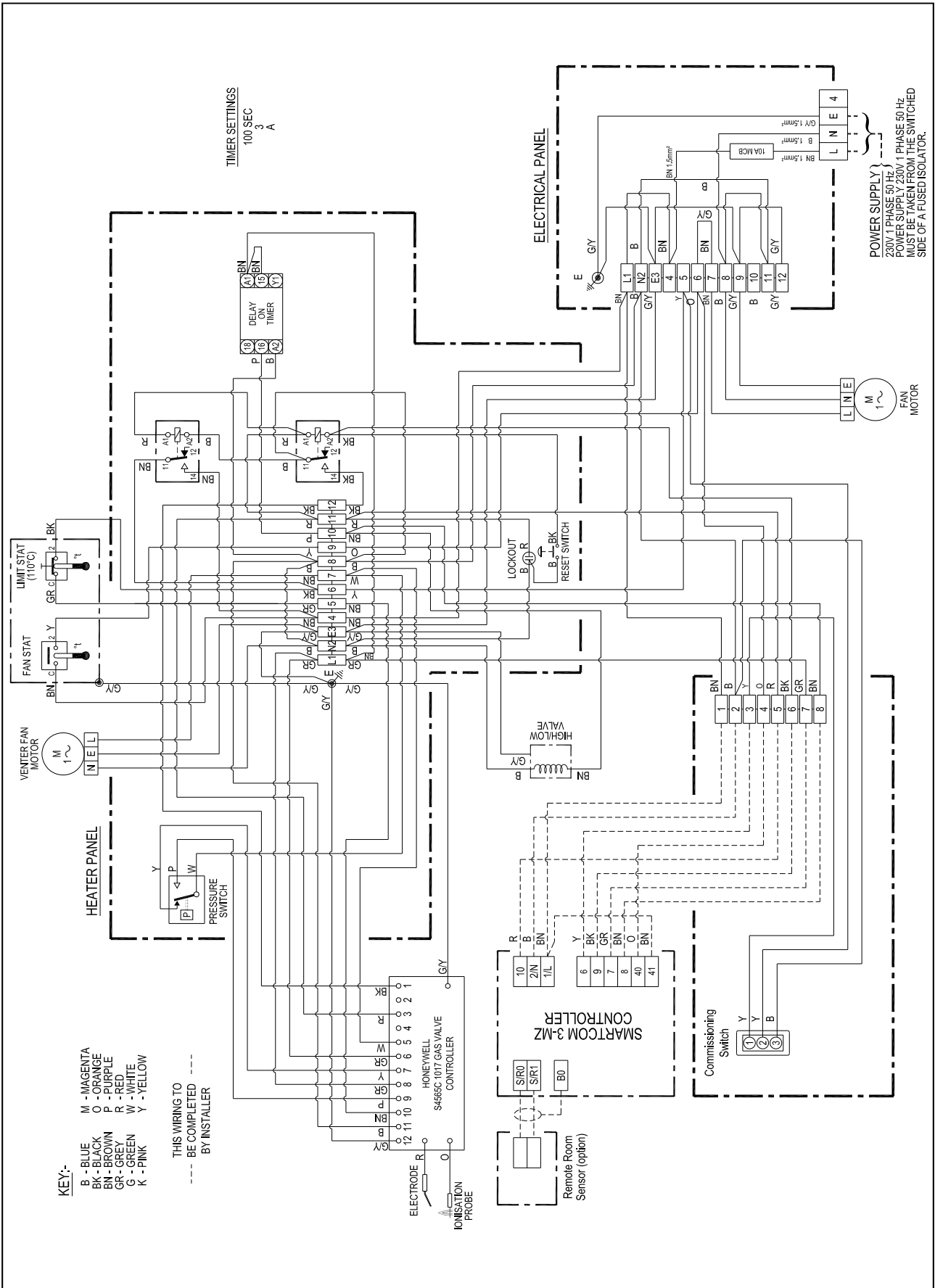
Wiring Diagram 33-66-558
PV 72-145 HI/LOW Auto Ignition
SC³-MZ 415/50/3ph (Integral SmartCom Controller)



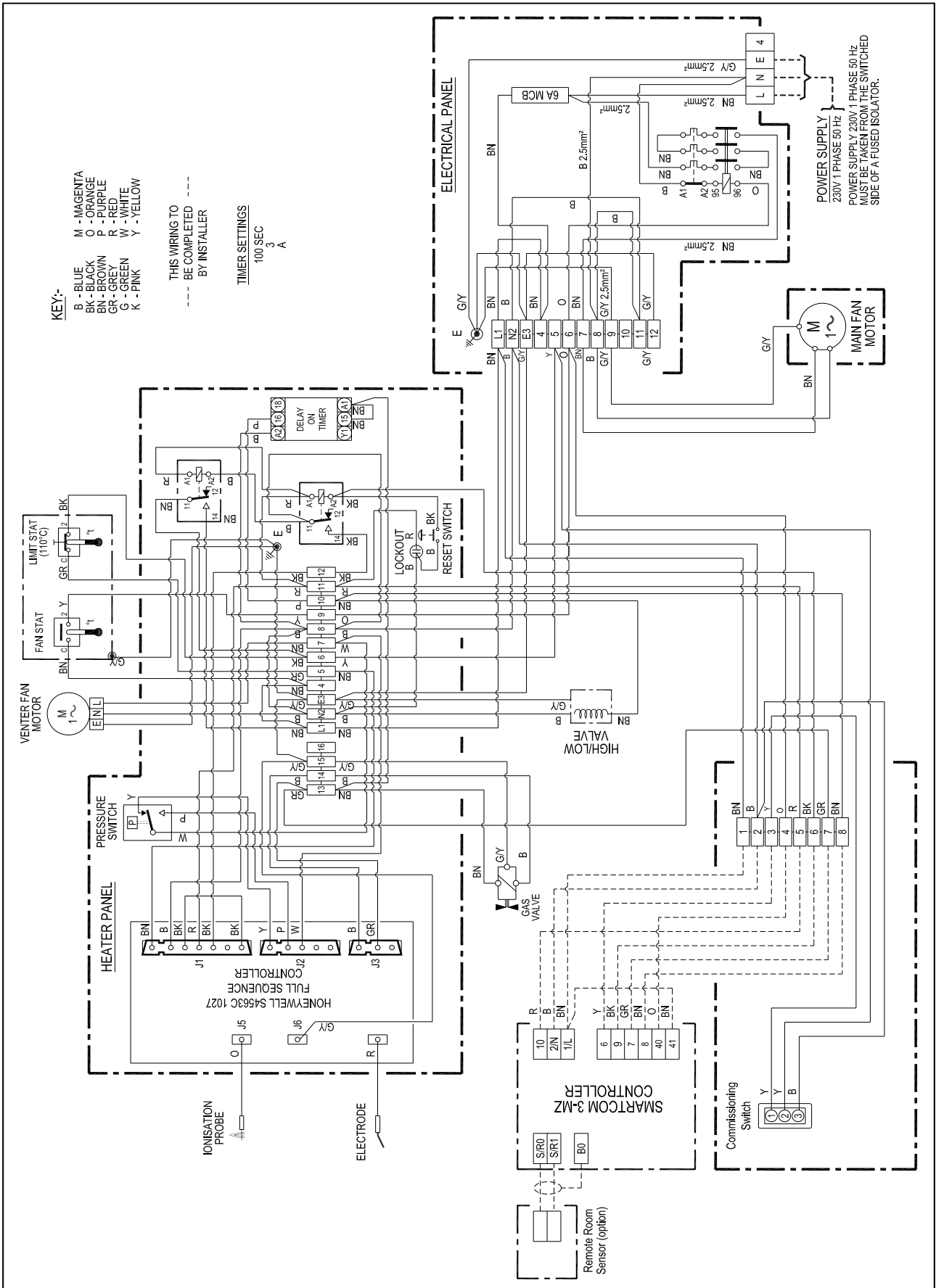
Wiring Diagram 33-66-559
PV 72-145 HI/LOW Auto Ignition
SC³-MZ 230/50/1ph (Integral SmartCom Controller)



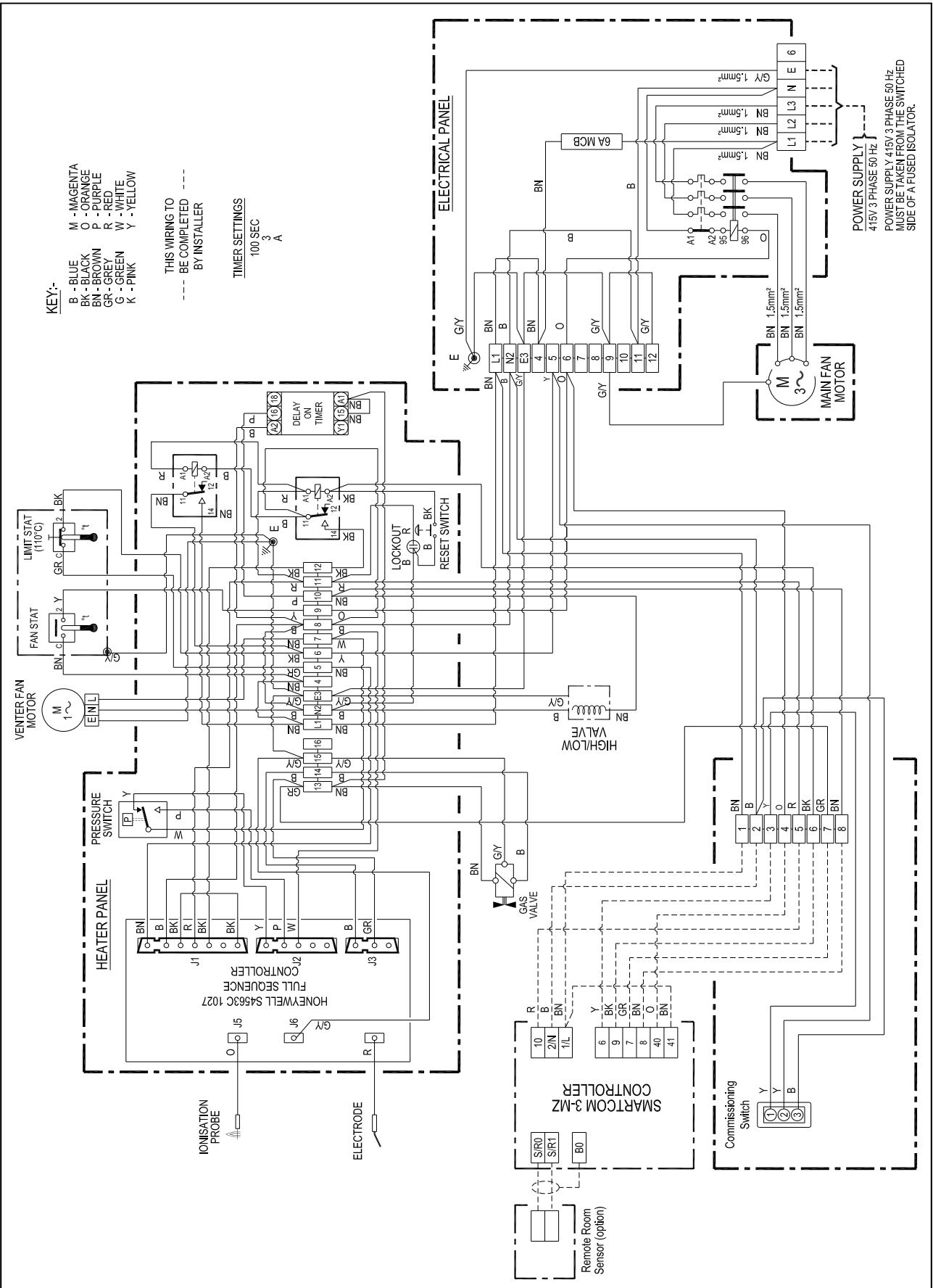
Wiring Diagram 33-66-545
PV 30-50 HI/LOW Auto Ignition
SC³-MZ 230/50/1ph (Remote SmartCom Controller)



Wiring Diagram 33-66-546
PV 72-145 HI/LOW Auto Ignition
SC³-MZ 230/50/1ph (Remote SmartCom Controller)



Wiring Diagram 33-66-547
PV 72-145 HI/LOW Auto Ignition
SC3-MZ 415/50/3ph (Remote SmartCom Controller)



7.0 Technical Data

Appliance Type	B ₂₂ C ₃₂ C ₁₂
Electrical Protection	IP20

7.1 Technical Data Common Information

Country	Approved Gas Category
AT,CH,CZ,DK,EE,ES,FI,GB,GR,HU,IE,IT IS,LT,LV,NO,PT,RO,SE,SI,SK,TR	I _{2H}
BE,CZ,NL,FR,DE,IE,IT,ES,CH,PT,GB,SE, SK,SL,PT,PL,TR	I _{3P}
PL,LU,DE,RO	I _{2E}
PL	I _{2LS}
PL	I _{2LW}

7.2 Technical Data - Heater Specifications

NAT GAS / LPG	MODEL	30	50	72	95	120	145
HEAT OUTPUT (G20)	kW Btu	29.4 100,000	49.0 167,000	72.0 246,000	96.0 328,000	120.0 409,000	144.0 491,000
HEAT INPUT (Nett) (G20)	kW Btu	32.0 109,180	53.3 181,700	78.8 268,900	105.2 359,000	130.4 445,000	156.5 534,000
HEAT OUTPUT (G25)	kW Btu	29.4 100,000	49.0 167,000	72.0 246,000	88.1 300,600	114.3 390,000	136.3 465,000
HEAT INPUT (Nett) (G25)	kW Btu	32.0 109,180	53.3 181,700	78.8 268,900	100.0 342,200	122.2 417,000	146.8 500,900
EFFICIENCY	% Nett	92.0	92.0	91.4	91.2	91.5	91.5
EFFICIENCY	% Gross	82.8	82.8	82.3	82.1	82.4	82.4
HEAT OUTPUT Low Fire	kW Btu	14.2 48,400	23.6 80,800	34.9 119,100	46.6 158,900	57.7 197,000	69.3 236,500
HEAT INPUT (Nett) Low Fire	kW Btu	16.0 54,600	26.7 91,200	39.4 134,500	52.6 179,500	65.2 222,500	78.3 267,200
HEAT OUTPUT Low Fire	kW Btu	14.2 48,400	23.6 80,800	41.1 129,100	N/A	56.1 191,300	69.3 236,500
HEAT INPUT (Nett) Low Fire	kW Btu	16.0 54,600	26.7 91,200	46.8 159,700	N/A	61.1 208,500	78.3 267,200
GAS CONNECTION	BSP/Rc	1/2"	1/2"	3/4"	3/4"	3/4"	3/4"

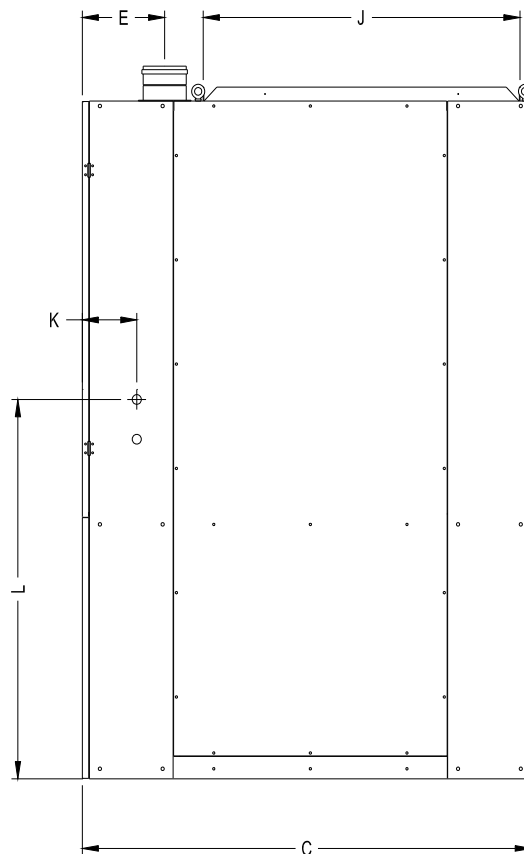
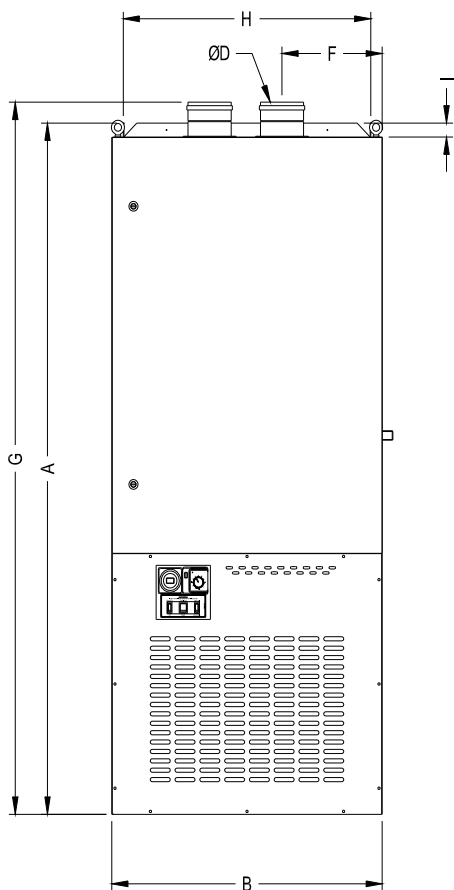
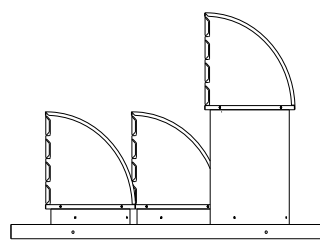
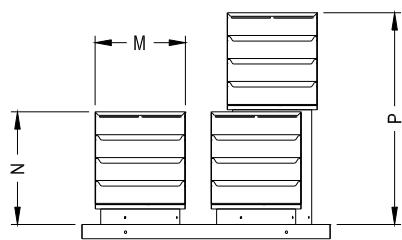
7.2 Technical Data - Heater Specifications

NAT GAS / LPG	MODEL	30	50	72	95	120	145
MIN INLET PRESS G20 NAT GAS	mbar	17.5	17.5	17.5	17.5	17.5	17.5
	Ins WG	7.0	7.0	7.0	7.0	7.0	7.0
BURNER PRESSURE G20 NAT GAS	mbar	8.3	8.3	6.8	7.0	9.2	9.2
	Ins WG	3.3	3.3	2.7	2.8	3.7	3.7
BURNER PRESSURE G20 NAT GAS HI LO	Hi mbar	8.3	8.3	6.8	7.0	9.2	9.2
	Lo mbar	3.3	3.3	2.5	2.6	3.8	3.8
MAIN INJECTOR G20 NATURAL GAS	mm	2.2	2.2	3.0	3.0	3.4	3.4
	No Off	6	10	9	12	10	12
NAT GAS G20 CONSUMPTION	ft ³ /hr	119	199	294	393	490	587
	m ³ /hr	3.38	5.63	8.33	11.12	13.87	16.63
MIN INLET PRESS G25 NAT GAS	mbar	17.5	17.5	17.5	17.5	17.5	17.5
	Ins WG	7.0	7.0	7.0	7.0	7.0	7.0
BURNER PRESSURE G25 NAT GAS	mbar	12.9	13.4	11.5	10.9	12.2	9.7
	Ins WG	5.2	5.4	4.6	4.4	4.9	3.9
BURNER PRESSURE G25 NAT GAS HI LO	Hi mbar	12.9	13.4	11.5	10.9	12.2	9.7
	Lo mbar	3.2	3.2	4.5	n/a	2.5	2.6
MAIN INJECTOR G25 NATURAL GAS	mm	2.2	2.2	3.0	3.0	3.4	3.6
	No Off	6	10	9	12	10	12
NAT GAS G25 CONSUMPTION	ft ³ /hr	139	234	341	426	521	626
	m ³ /hr	3.93	6.63	9.68	12.07	14.75	17.72
MIN INLET PRESSURE LPG PROPANE	mbar	37.0	37.0	37.0	37.0	37.0	37.0
	Ins WG	14.8	14.8	14.8	14.8	14.8	14.8
BURNER PRESSURE LPG PROPANE	mbar	29.2	29.2	28.7	28.7	30.7	30.6
	Ins WG	11.68	11.68	11.5	11.5	12.3	12.25
MAIN INJECTOR LPG PROPANE	mm	1.3	1.3	1.6	1.6	1.95	1.9
	No Off	6	10	9	12	10	12
LPG PROPANE CONSUMPTION	m ³ /hr	1.30	2.16	3.21	4.28	5.34	6.41
	Kg/h	2.41	4.00	5.94	7.92	9.88	11.86
TEMPERATURE RISE	°C	30	37	39	34	32	32
	°F	54	67	70	61	58	58
AIR FLOW	ft ³ /min	1695	2225	3179	4874	6463	7756
	m ³ /sec	0.80	1.05	1.50	2.30	3.05	3.66
CENTRIFUGAL FAN STATIC PRESSURE	Pa	80	110	100	130	150	150
	Ins WG	0.32	0.44	0.40	0.50	0.60	0.60
SOUND LEVEL @ 3m	DbA	63	64	72	74	74	76
FLUE DIAMETER	mm	100	100	130	130	130	130
COMBUSTION AIR DIA	mm	100	100	130	130	130	130
SUPPLY VOLTAGE	Standard	230/1/50	230/1/50	230/1/50	415/3/50	415/3/50	415/3/50
ELECTRICAL POWER	Amps	3.2	3.2	7.2	3.6	5.2	6.5
INTERNAL FUSE RATING	Amps	10	10	10	6	6	6
POWER ABSORPTION	kW	0.4	0.4	1.2	1.6	2.3	3.1
FUSED ISOLATOR SIZE	Amps	16	16	20	16	16	25
GROSS FLUE TEMP	°C	145	150	150	150	160	160
Nett WEIGHT	Kgs	192	202	330	380	440	460
AIR PRESS SWITCH	mbar	1.03	1.03	1.65	1.65	1.65	1.65
FLUE RESISTANCE	min mbar	-0.1	-0.1	-0.1	-0.1	-0.1	-0.1
	max mbar	+0.2	+0.2	+0.2	+0.2	+0.2	+0.2

8.0 Parts List

MODEL	30	50	72	95	120	145
Fan Motor Assy	28-09-001	28-09-001	28-09-002	N/A	N/A	N/A
Fan Centrifugal / 1ph Fan Centrifugal / 3ph	N/A N/A	N/A N/A	N/A N/A	28-09-003	28-09-149	28-09-149
Fan Motor / 1ph Fan Motor / 3ph	N/A N/A	N/A N/A	N/A N/A	28-10-117 28-10-127	28-10-117 28-10-127	28-10-015
Fan Pulley Taper Lock	N/A	N/A	N/A	28-65-105 28-66-136	28-65-105 28-66-136	28-65-105 28-66-136
Motor Pulley / 1ph Motor Pulley / 3ph	N/A	N/A	N/A	28-65-072 28-65-072	28-65-078 28-65-078	28-65-079
Motor Taper Lock	N/A	N/A	N/A	28-66-124 28-66-124	28-66-124 28-66-124	28-66-028
Belts x 2	N/A	N/A	N/A	09-16-126	09-16-093	09-16-093
Fan & Limit Stat Assy	20-45-599	20-45-599	20-45-599	20-45-599	20-45-599	20-45-599
Gas Valve	28-30-180	28-30-180	28-30-181	28-30-181	2089	2089
Control Box	29-01-173	29-01-173	29-01-183	29-01-183	29-01-183	29-01-183
Injector Natural Gas	33-64-144	33-64-144	33-66-011	33-66-011	33-64-145	33-64-819
Injector LPG Propane	33-67-322	33-67-322	33-66-014	33-66-014	33-66-017	33-66-018
Air Pressure Switch	33-62-119	33-62-119	202762	202762	L104039	201932
Flue Fan	28-09-083	28-09-084	28-09-089	28-09-089	28-09-090	28-09-090
Electrode	33-64-193	33-64-193	33-64-193	33-64-193	33-64-193	33-64-193
Ionisation Probe	33-64-194	33-64-194	33-64-194	33-64-194	33-64-194	33-64-194
MCB	28-07-085	28-07-085	28-07-084	28-07-084	28-07-084	28-07-084
Overload 1ph Overload 3ph	N/A	N/A	28-11-129 N/A	28-11-130 28-11-026	28-11-130 28-11-126	N/A 28-11-127
Contactora	N/A	N/A	28-11-131	28-11-131	28-11-131	28-11-131
Rocker Switch Red Neon	28-40-105	28-40-105	28-40-105	28-40-105	28-40-105	28-40-105
Rocker Switch Dual	28-40-106	28-40-106	28-40-106	28-40-106	28-40-106	28-40-106
Room Thermostat	28-16-031	28-16-031	28-16-031	28-16-031	28-16-031	28-16-031
Frost Thermostat	28-16-044	28-16-044	28-16-044	28-16-044	28-16-044	28-16-044
Time Clock (Digital)	28-15-030	28-15-030	28-15-030	28-15-030	28-15-030	28-15-030

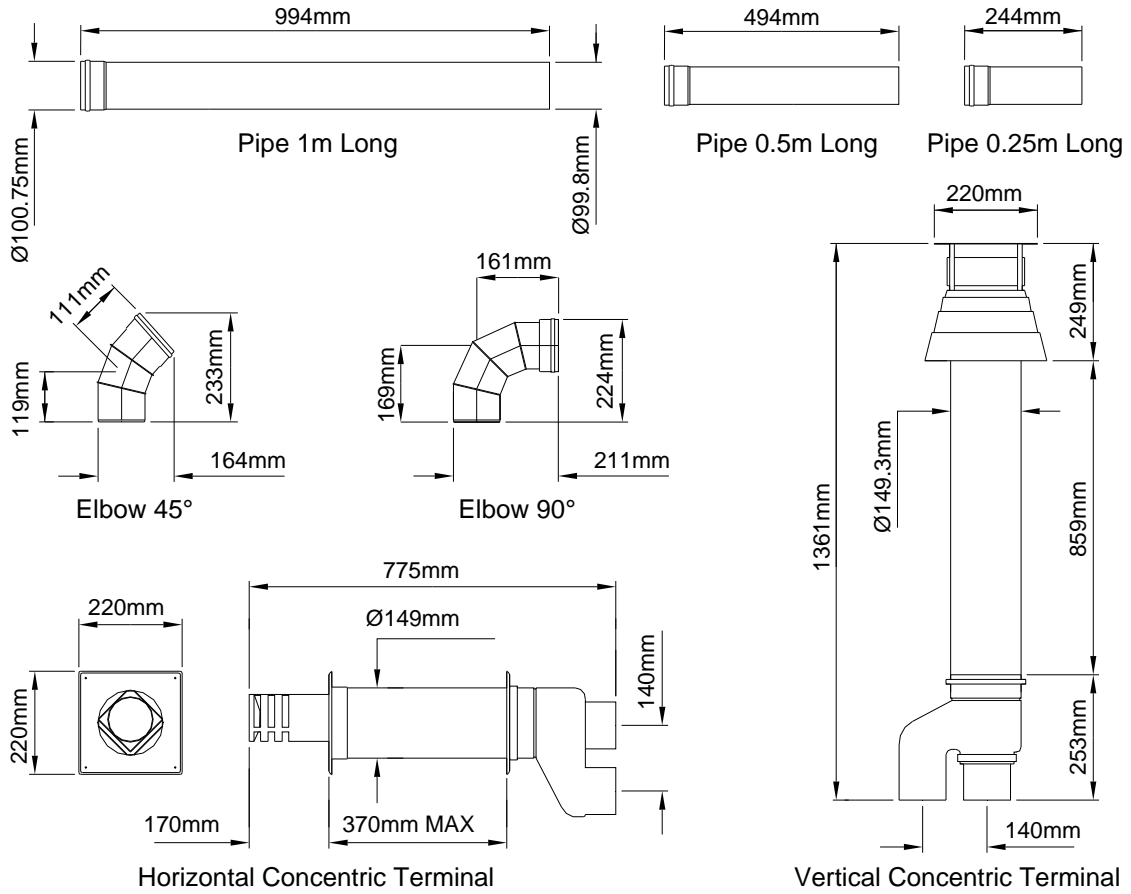
9.0 Heater Dimensions



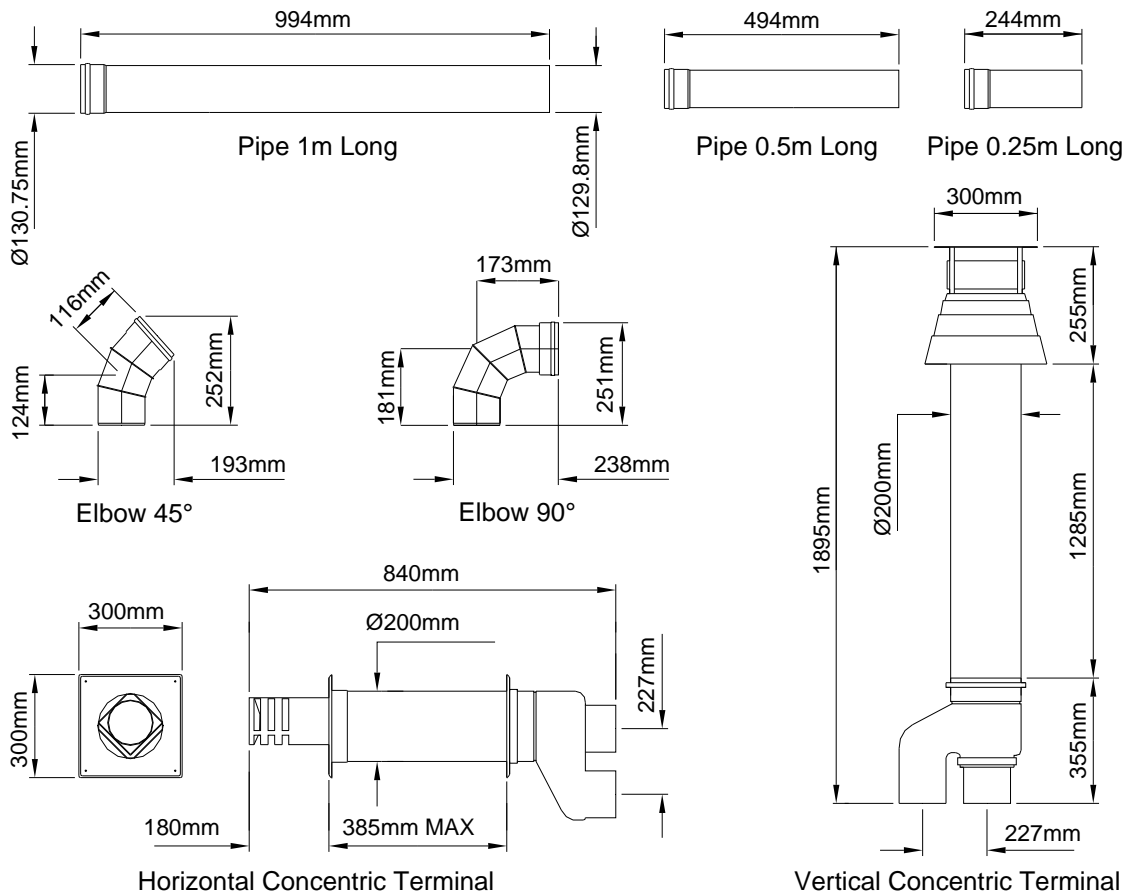
MODEL	A	B	C	D	E	F	G	H	I	J	K	L	M	N	P
30	1650	700	1080	100	189	263	1725	570	25	570	103	967	280	285	N/A
50	1650	700	1080	100	189	263	1725	570	25	570	103	840	280	324	N/A
72	1830	840	1395	130	255	311	1890	769	40	984	169	963	314	352	677
95	1830	840	1395	130	255	311	1890	769	40	984	169	894	314	352	677
120	1960	840	1625	130	255	283	2020	769	40	1214	95	934	355	410	815
145	1960	840	1625	130	260	287	2020	769	40	1214	95	894	355	410	815

Dimensions - Flue

100mm Stainless Steel Flue Fittings. For heater size PV30 - PV50



130mm Stainless Steel Flue Fittings. For heater size PV72 - PV145



Notes:



NORTEK GLOBAL HVAC (UK) LTD
Fens Pool Avenue
Brierley Hill
West Midlands DY5 1QA
United Kingdom

Tel: 01384 489 250
Fax: 01384 489 707

bensonsales@nortek.com
www.bensonheating.co.uk

Registered in England No. 1390934. Registered office: 10 Norwich Street, London, EC4A 1BD

Nortek Global HVAC is a registered trademark of Nortek Global HVAC Limited. Because of continuous product innovation, Nortek Global HVAC reserves the right to change product specification without due notice.

Document reference number **33-66-161** Sept 2015 Issue 18
Replaces 33-66-161 Mar 2015 Issue 17