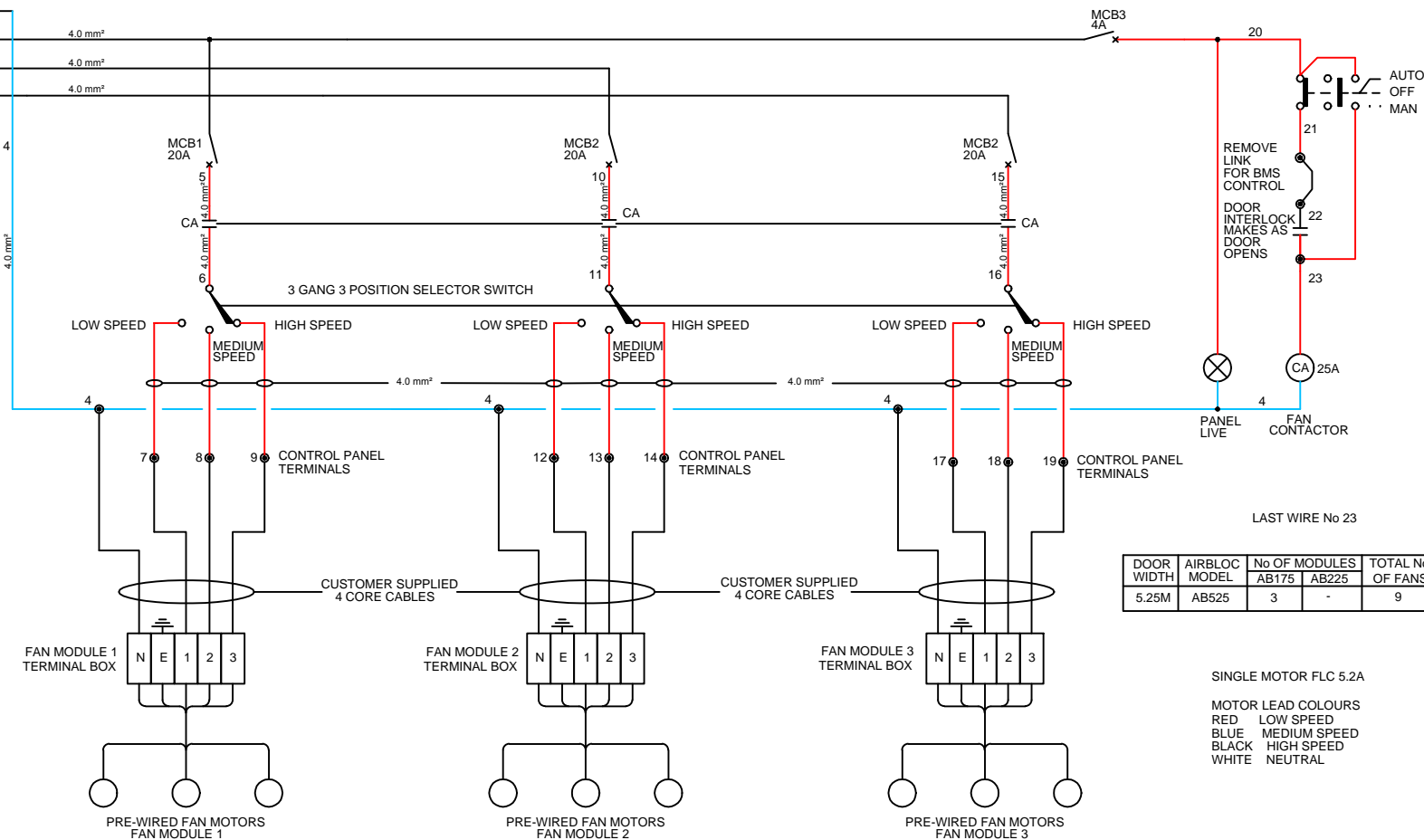


NOTE:
ALL CABLES USED
ARE TRI-RATED.



DOOR WIDTH	AIRBLOC MODEL	No OF MODULES AB175	TOTAL No OF FANS AB225
5.25M	AB525	3	9

SINGLE MOTOR FLC 5.2A
MOTOR LEAD COLOURS
RED LOW SPEED
BLUE MEDIUM SPEED
BLACK HIGH SPEED
WHITE NEUTRAL

1	23/03/18	CABLE SIZE CHANGED
REV	DATE	DESCRIPTION

<small> Five Plot Avenue Brierley Hill West Midlands B15 10A Tel: 0121 468 700 Fax: 0121 468 707 </small>			
DATE	13/11/14	JOB No	STANDARD
CHECKED	JC	DRAWING No	CP-AB-TRIPLE-AMBIENT-ELCB-R
APPROVED		REVISION	1
		SHEET	1 of 1

Wiring Colour Scheme
 Phases.....: **Black**
 Control 230V.....: **Red**
 Neutral.....: **Light Blue**
 24 VAC.....: **Violet**
 24 VAC Ground.: **White**
 24 VDC.....: **Dark Blue**
 0-10 VDC.....: **Orange**
 Analogue Inputs: **Grey**

TITLE SCHEMATIC WIRING DIAGRAM FOR
 AMBIENT TRIPLE MODULE AIR CURTAIN
 415v 3PH+N SUPPLY WITH ELCB

CLIENT
 SACINE

DRAWN SH
 DATE 13/11/14
 CHECKED JC
 APPROVED