



REZNOR

AC Chassis

Commercial Recessed air curtain





AC Chassis Series

Commercial / Retail Recessed Air Curtains

The AC Chassis series is a commercial/retail air curtain.

Designed for discreet positioning in suspended ceiling or bulkhead in doorways of retail or commercial premises where low visual impact is required.

It creates comfortable conditions for staff and customers, by providing a powerful down-flow of heated or ambient air.

Model Range

This series is available in 3 versions:

- > Ambient (non-heated)
- > Electric heating
- > Low pressure hot water heating

Choice of outputs 4.5, 6, 9, 12, 18 and 24kW (heated models).

Applications

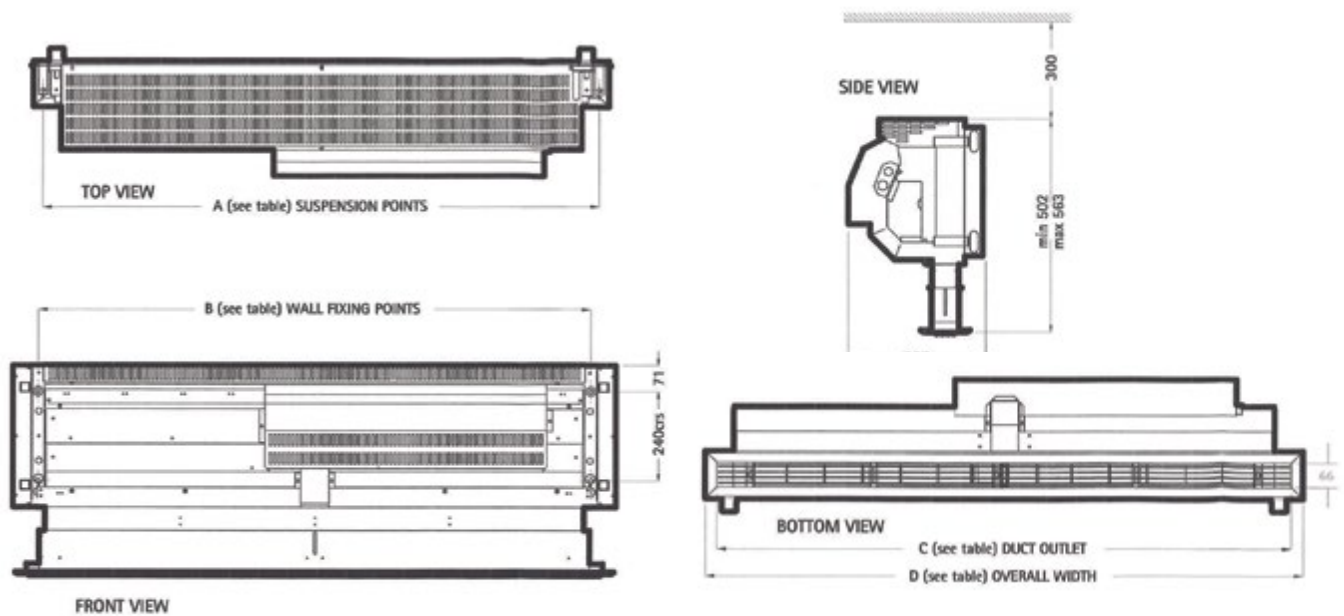
- > Bars
- > Hotels
- > Offices
- > Restaurants
- > Shops



Features & Benefits

- > Reduces heat loss around open doors by up to 80%
- > Suitable for mounting heights of three or four metres depending upon capacity
- > Flush adjustable grilles
- > Standard or high capacity
- > CE approved
- > Cost-effective heating solution
- > Units can be placed side by side to resemble a continuous unit

Dimensions				
Model		CMS1000	CMS1500	CMS2000
Length				
A	mm	1062	1562	253
B	mm	992	1520	2020
C	mm	1095	482	1982
D	mm	1138	395	395



Technical Data							
Model	Ambient	Standard Capacity			High Capacity		
		CMS1000SHAW	CMS1500SA	CMS2000SA	CMS1000SHAW	CMS1500SHAW	CMS2000SHAW
		CMS1000SE9	CMS1500SE12	CMS2000SE18	CMS1000HE12	CMS1500HE18	CMS2000HE24
	LPHW	CMS1000SW9	CMS1500SW12	CMS2000SW18	CMS1000HW12	CMS1500HW18	CMS2000HW24
Maximum door width	mm	1000	1500	2000	1000	1500	2000
Maximum mounting height	mm	3000	3000	3000	4000	4000	4000
Maximum air volume	m ³ /h	1850	2400	4100	2300	3300	5000
Maximum velocity	m/s	8.5	8.5	8.5	11.0	11.0	11.0
Maximum heating capacity	kW	9.0	12.0	18.0	12.0	18.0	24.0
Approximate weight	Kg	39.5	49	60	39.5	49	60
Motor power	W	190	190	190	190	190	190
Electrical supply (Electrically heated models only)		400 - 500 volt 3 phase 50Hz					
Electrical supply (ambient & LPHW models only)		230 volt 1 phase 50Hz					
Total electrical load (per phase) (electrically heated models only)	Amps	14.2	18.5	28	18.5	29.5	38.4
Total electrical load (per phase) (ambient & LPHW models only)	Amps	2.5	2.5	2.5	2.5	2.5	2.5



NORTEK GLOBAL HVAC (UK) LTD

Fens Pool Avenue
Brierley Hill
West Midlands DY5 1QA
United Kingdom
Tel: **01384 489 700**
01384 489 707

reznorsales@nortek.com
www.reznor.co.uk

Registered in England No. 01390934 | Registered Office The Colmore Building, Colmore Circus Queensway Birmingham B4 6A

Nortek Global HVAC is a registered trademark of Nortek Global HVAC Limited. Because of continuous product innovation, Nortek Global HVAC reserves the right to change product specification without due notice.