

# WIRING DIAGRAM MANUAL FOR BENSON PV CABINET HEATER



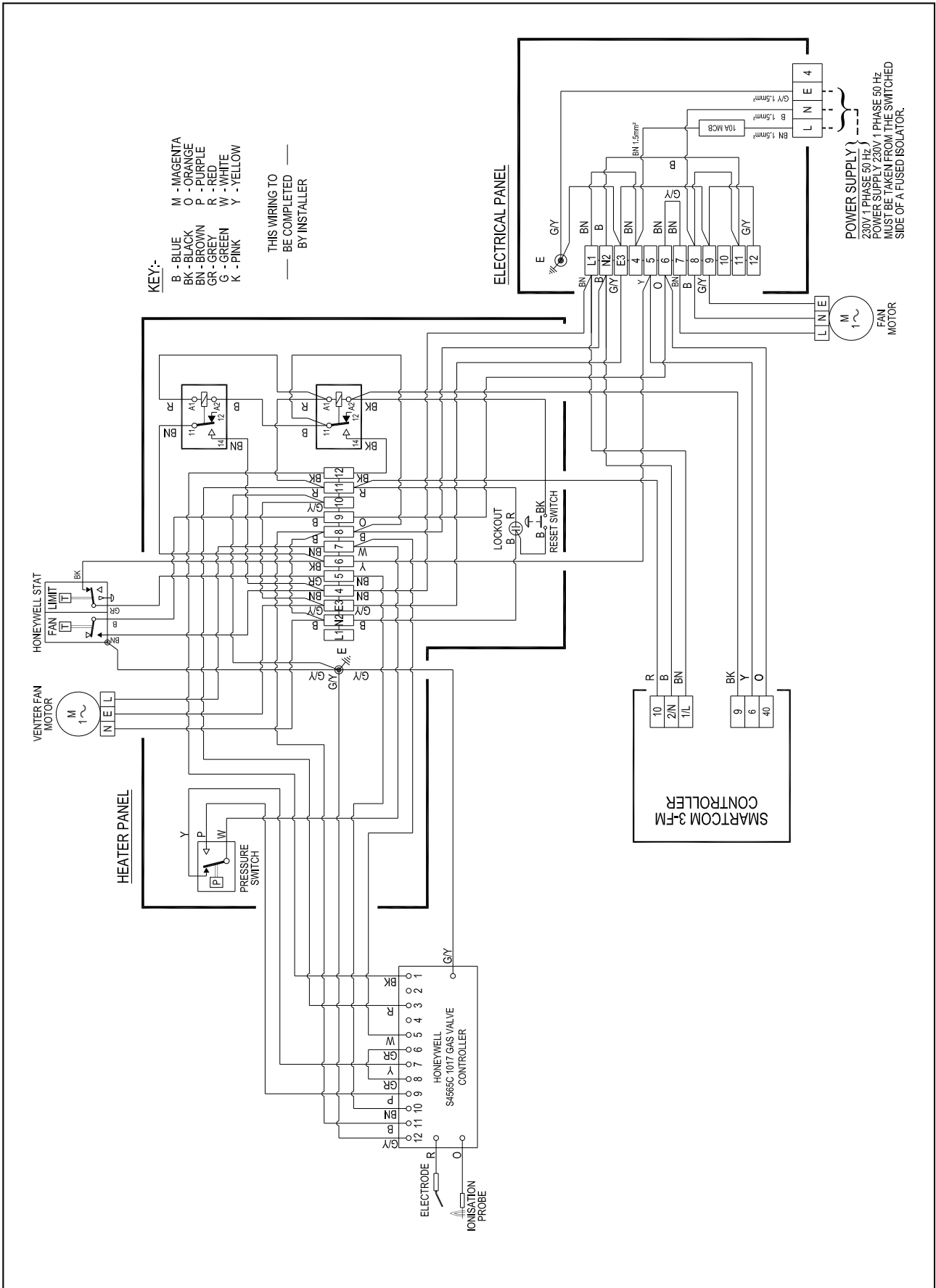
## WARNINGS

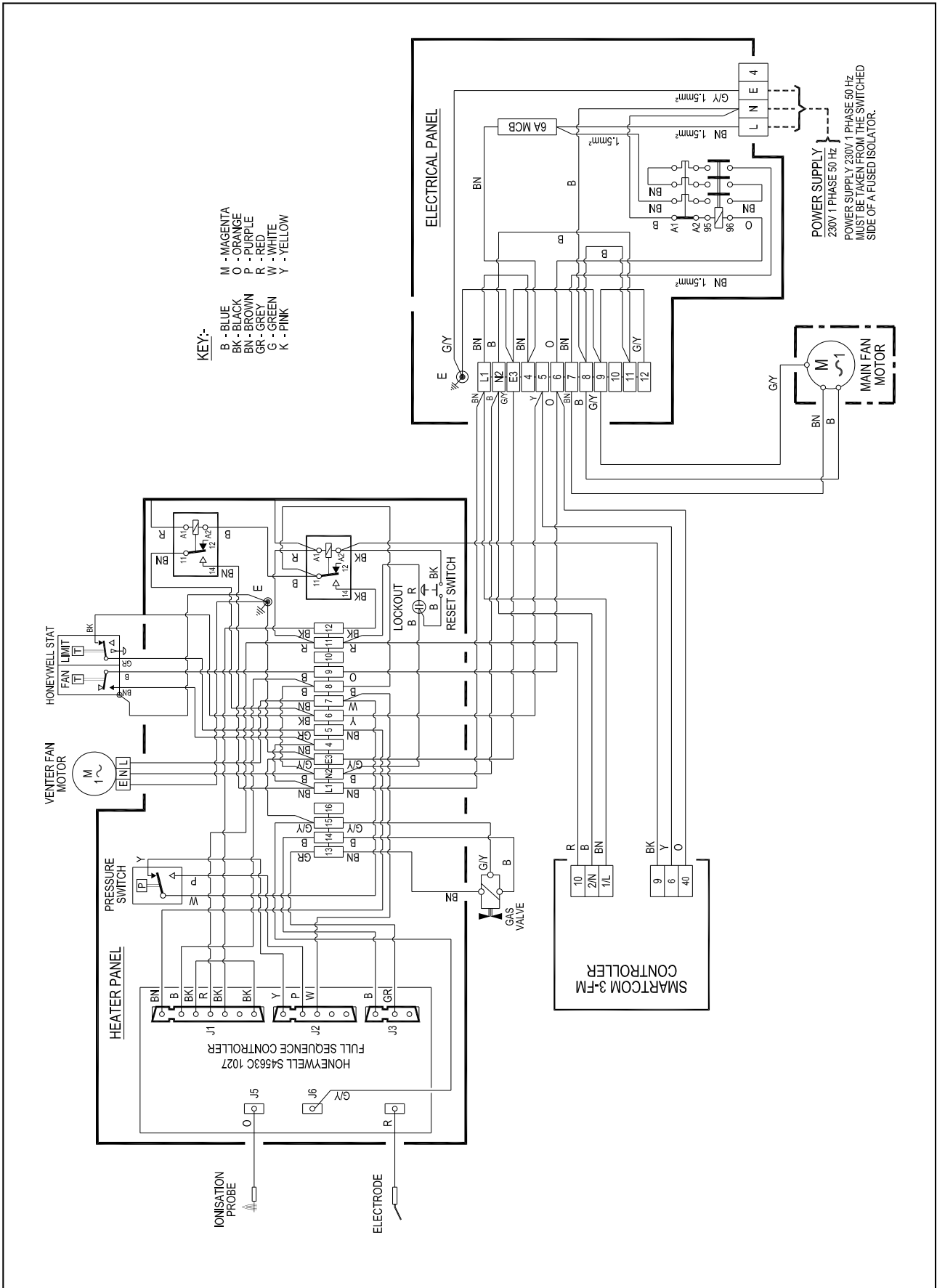
Installation of Benson Equipment must be carried out in accordance with the current IEE wiring regulations (BS 7671), BS 6896 (Industrial & Commercial) and any other relevant British Standards and Codes of Practice by a qualified installer. All external wiring **MUST** comply with the current IEE wiring regulations.

Wiring Diagram 33-66-448

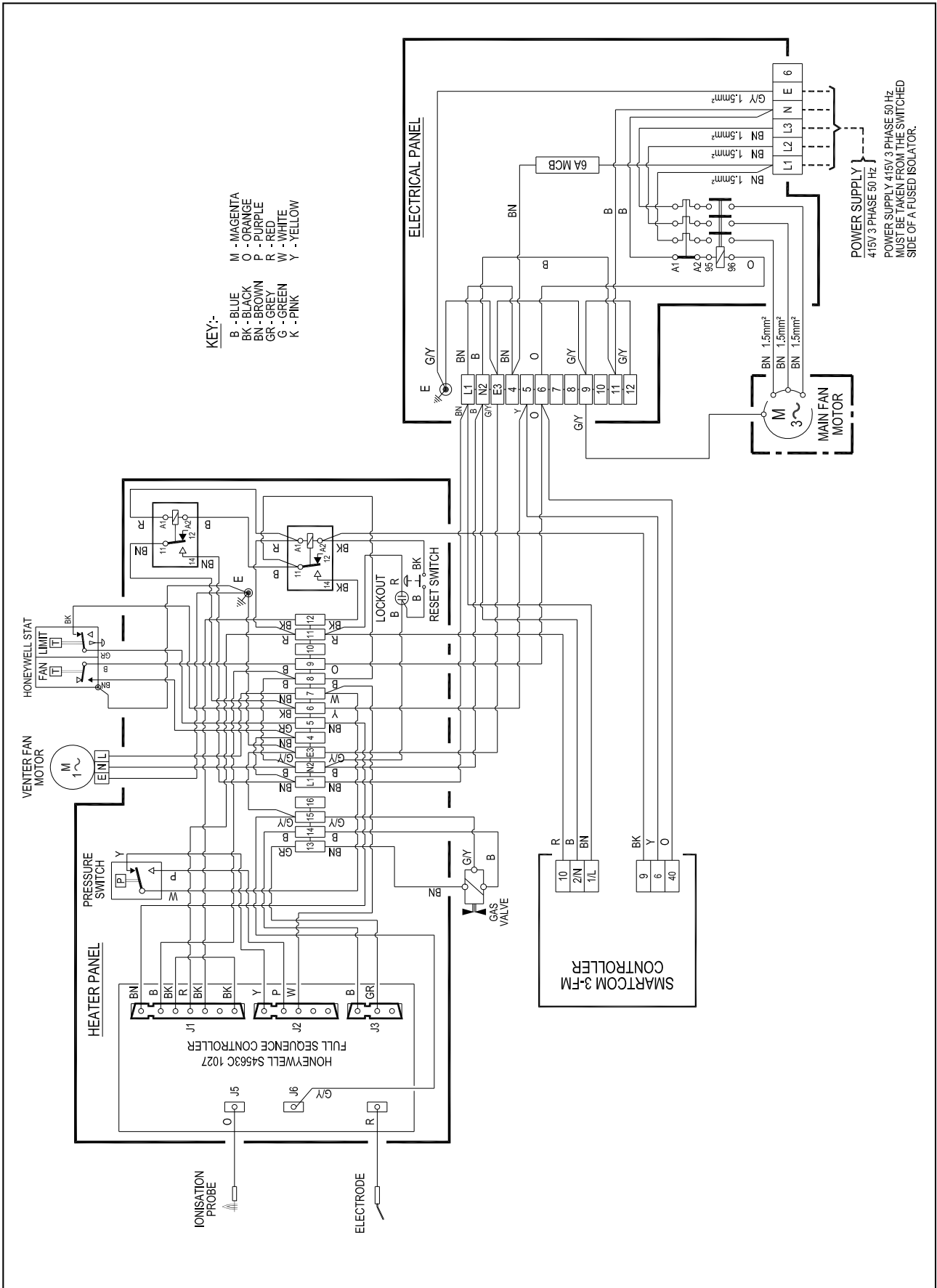
PV 30-50 ON/OFF Auto Ignition

SC<sup>3</sup>-FM 230/50/1ph (SmartCom Facia Mounted Controller)

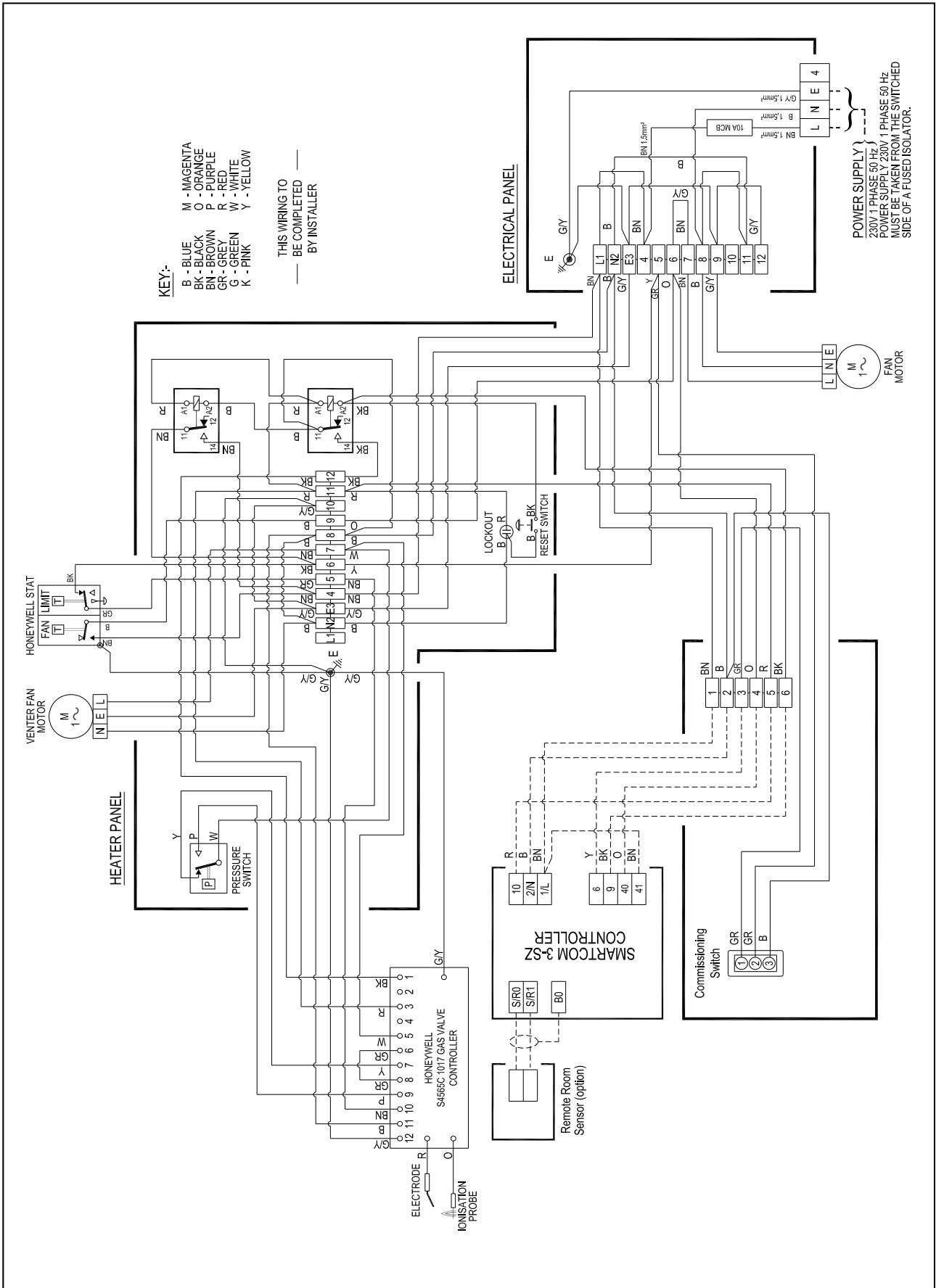




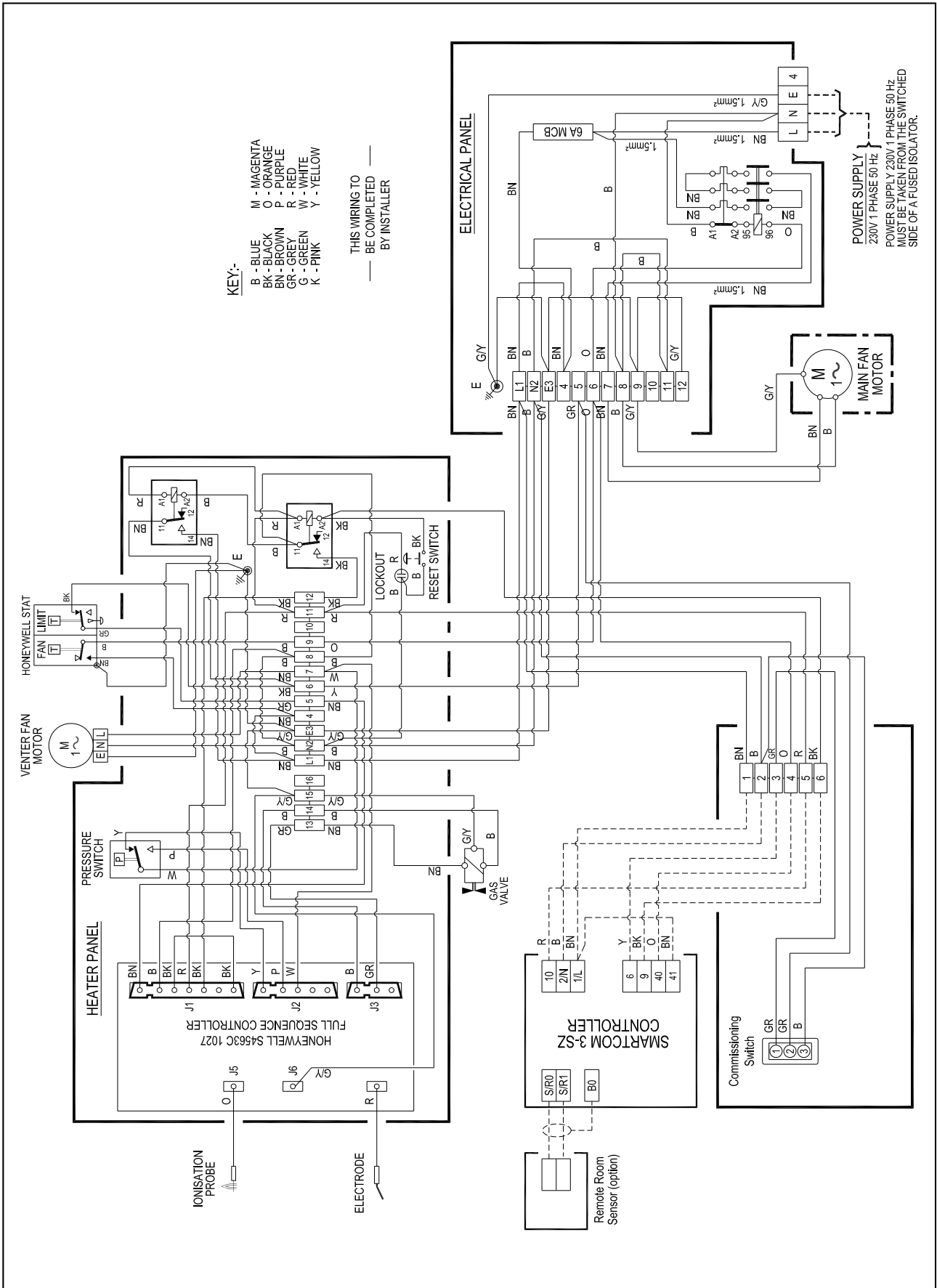
Wiring Diagram 33-66-450  
**PV 72-145 ON/OFF Auto Ignition**  
**SC<sup>3</sup>-FM 415/50/3ph (SmartCom Facia Mounted Controller)**



**Wiring Diagram 33-66-451**  
**PV 30-50 ON/OFF Auto Ignition**  
**SC3-SZ 230/50/1ph (Remote SmartCom Controller)**

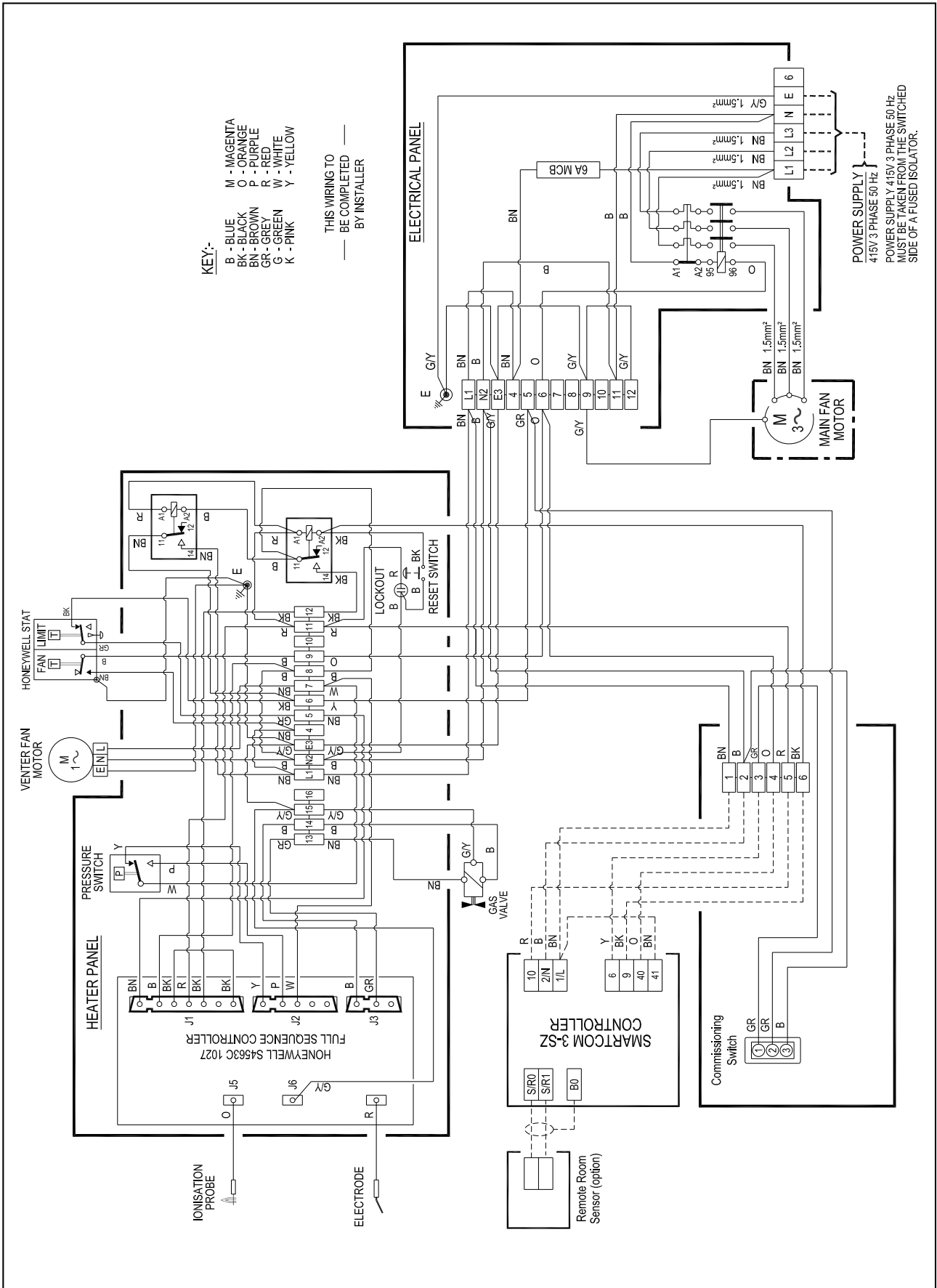


**Wiring Diagram 33-66-447**  
**PV 72-145 ON/OFF Auto Ignition**  
**SC<sup>3</sup>-SZ 230/50/1ph (Remote SmartCom Controller)**

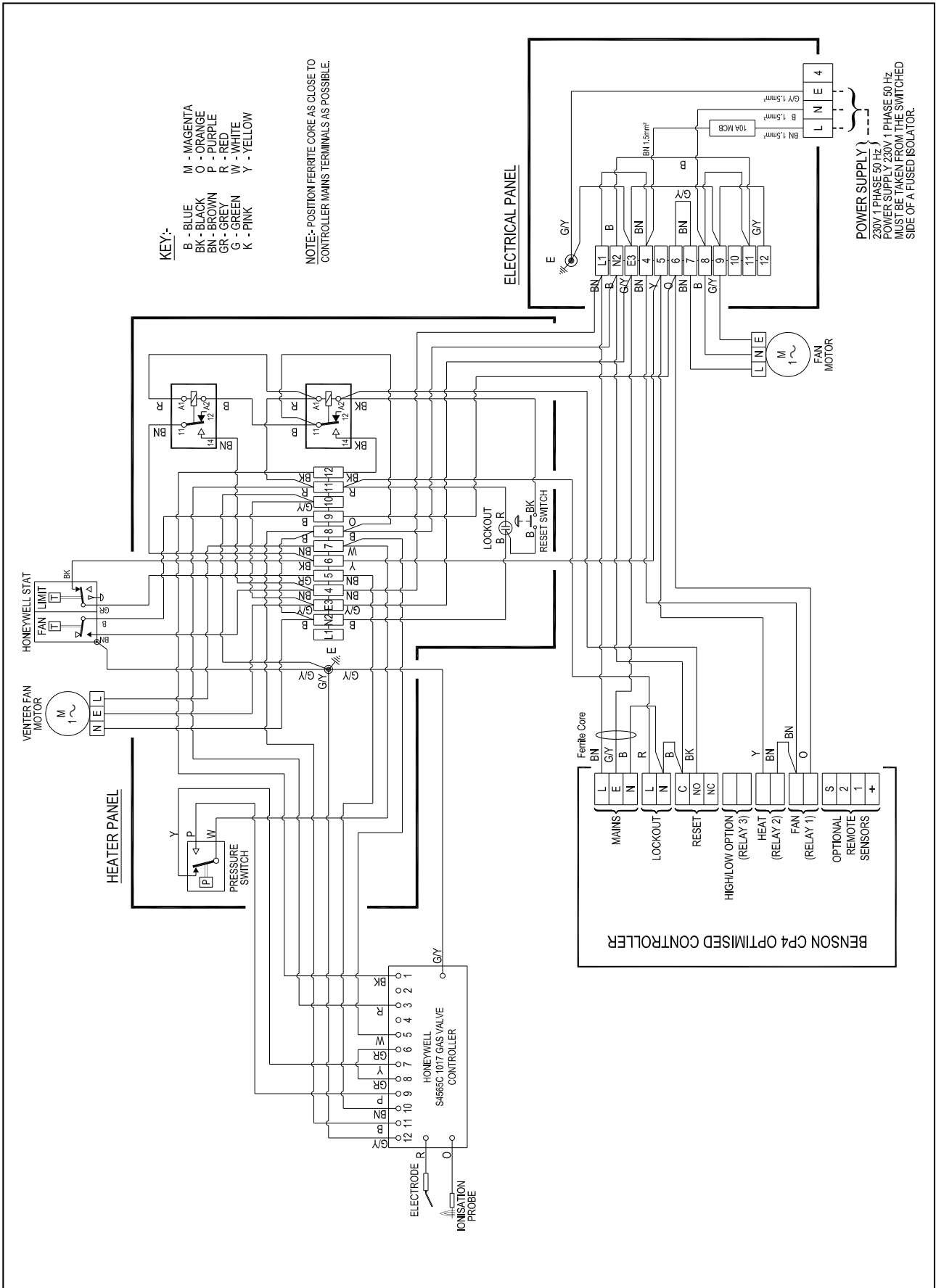


**PV 72-145 ON/OFF Auto Ignition**

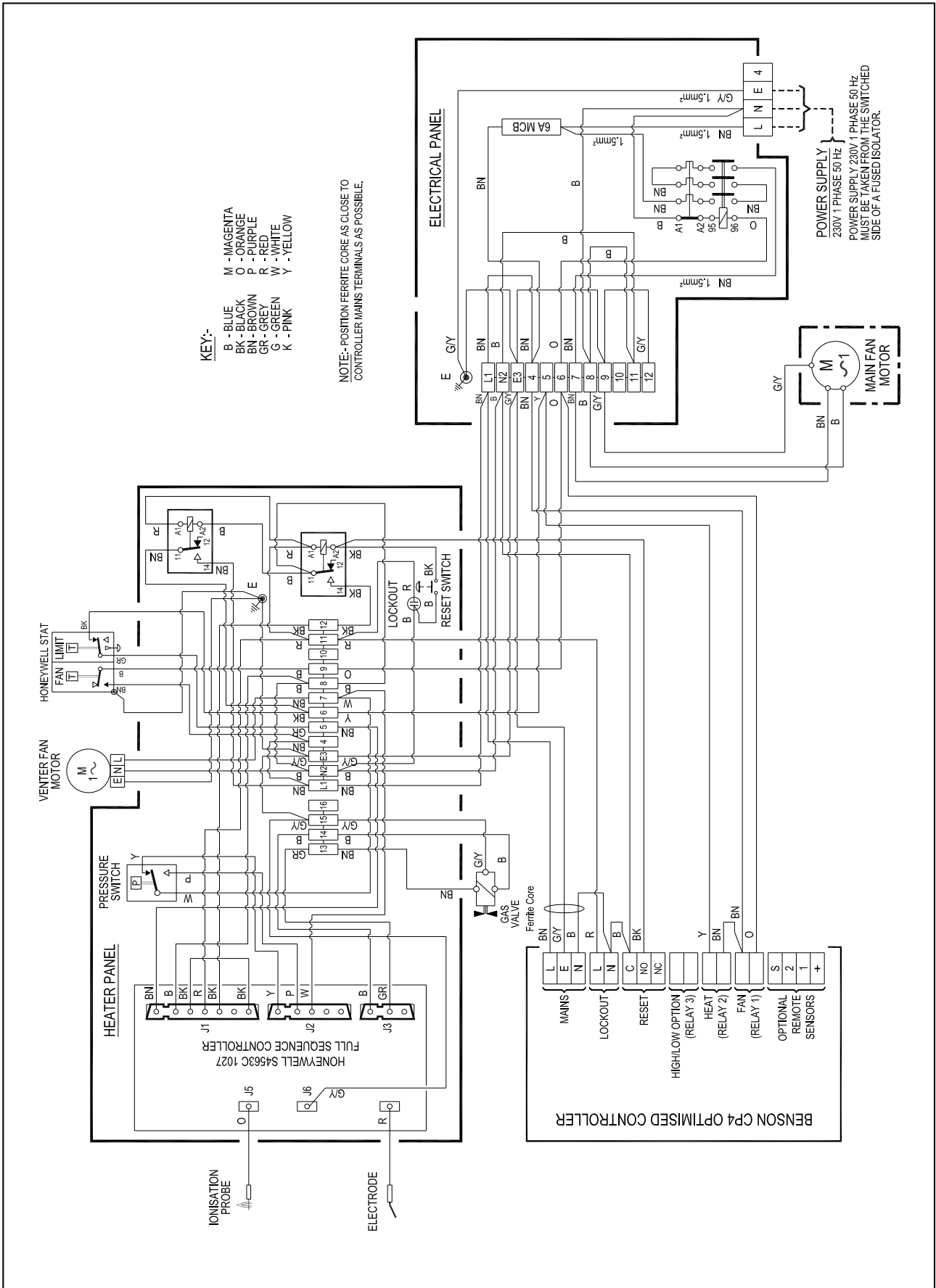
**SC<sup>3</sup>-SZ 415/50/3ph (Remote SmartCom Controller)**



**Wiring Diagram 33-66-201**  
**PV 30-50 ON/OFF HI/LO Auto Ignition**  
**CP4 230/50/1ph (Remote CP4 Controller)**

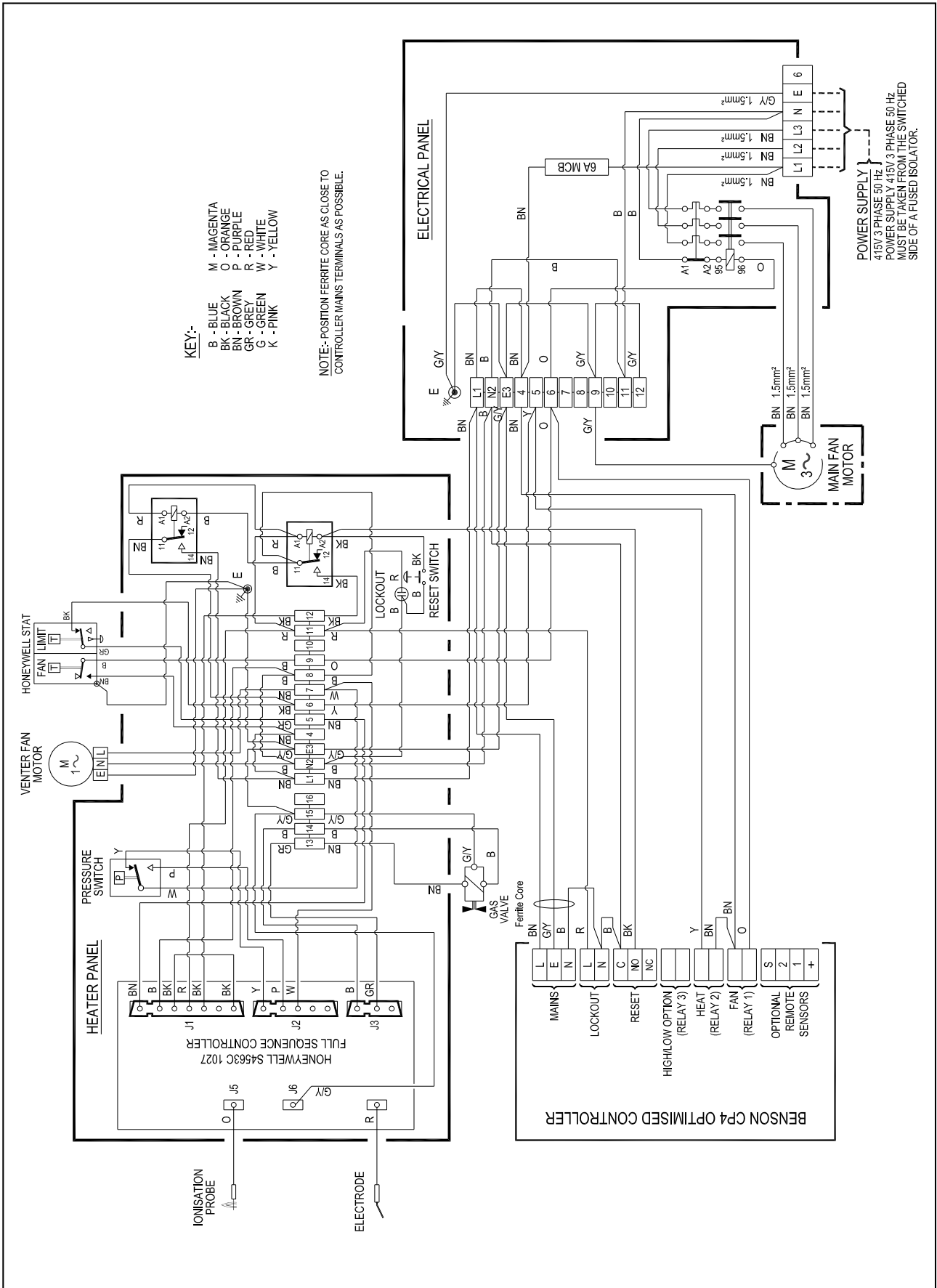


**Wiring Diagram 33-66-205**  
**PV 72-145 ON/OFF HI/LO Auto Ignition**  
**CP4 230/50/1ph (Remote CP4 Controller)**

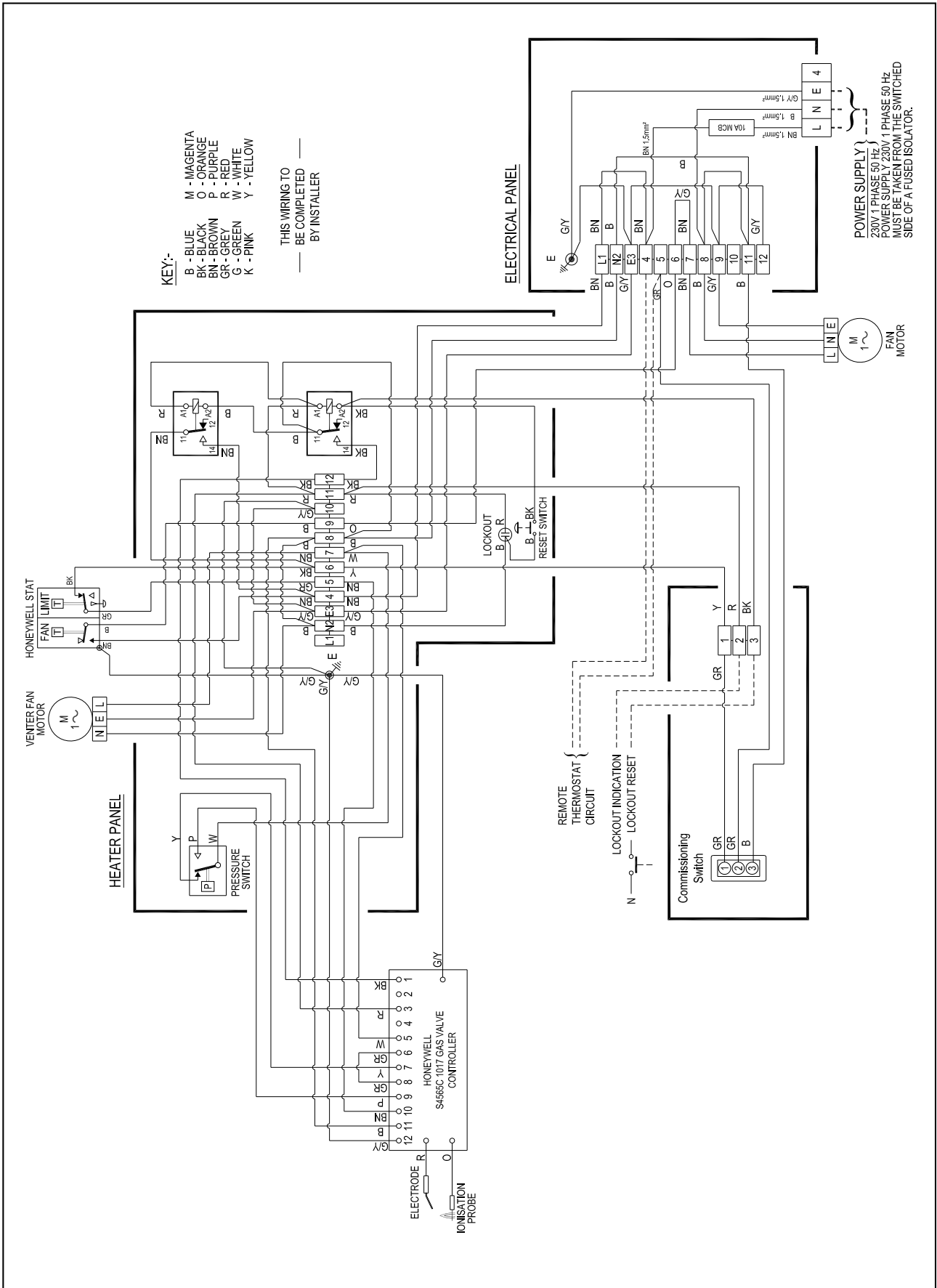


Wiring Diagram 33-66-203

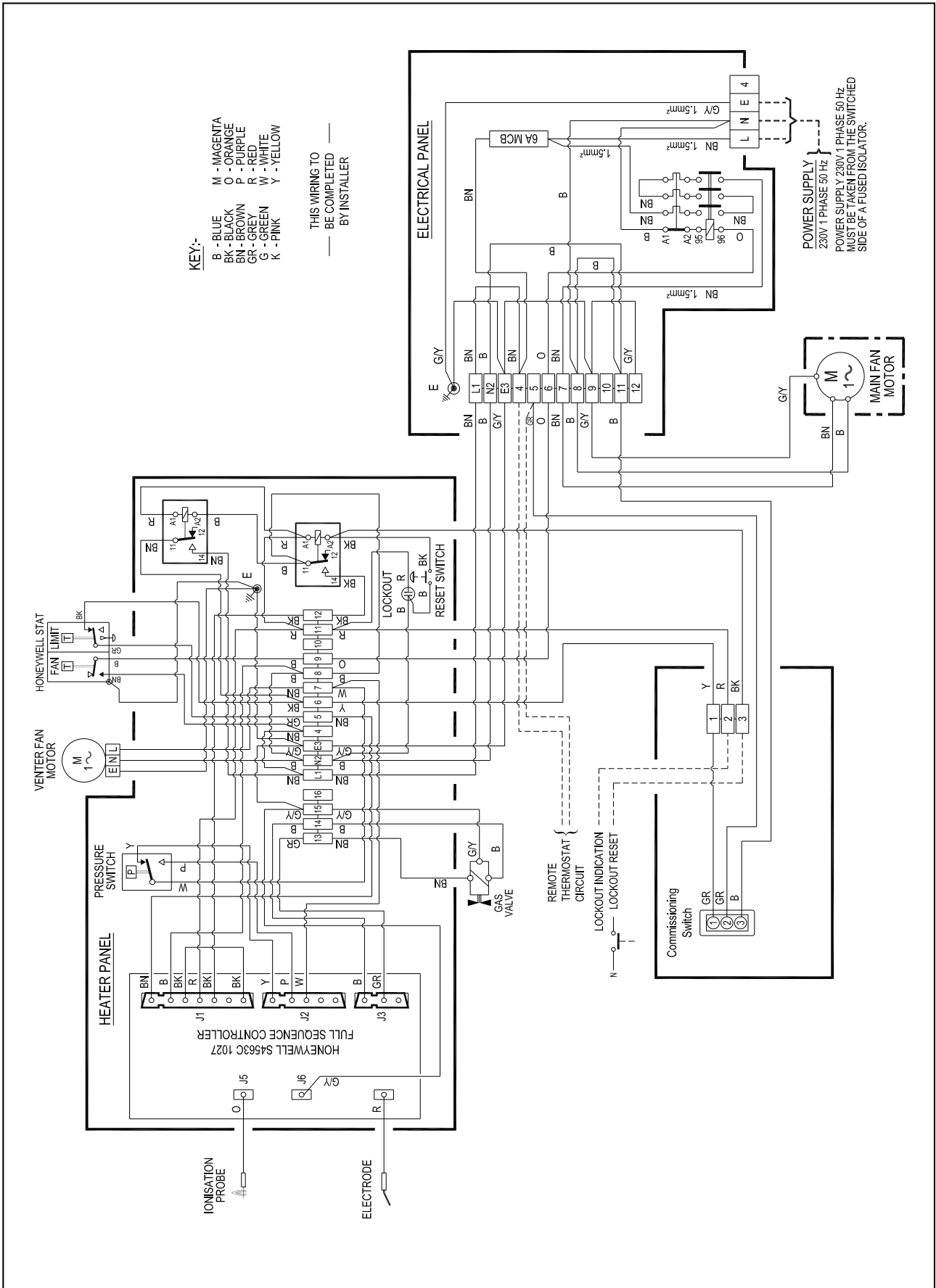
**PV 72-145 ON/OFF HI/LO Auto Ignition  
CP4 415/50/3ph (Remote CP4 Controller)**



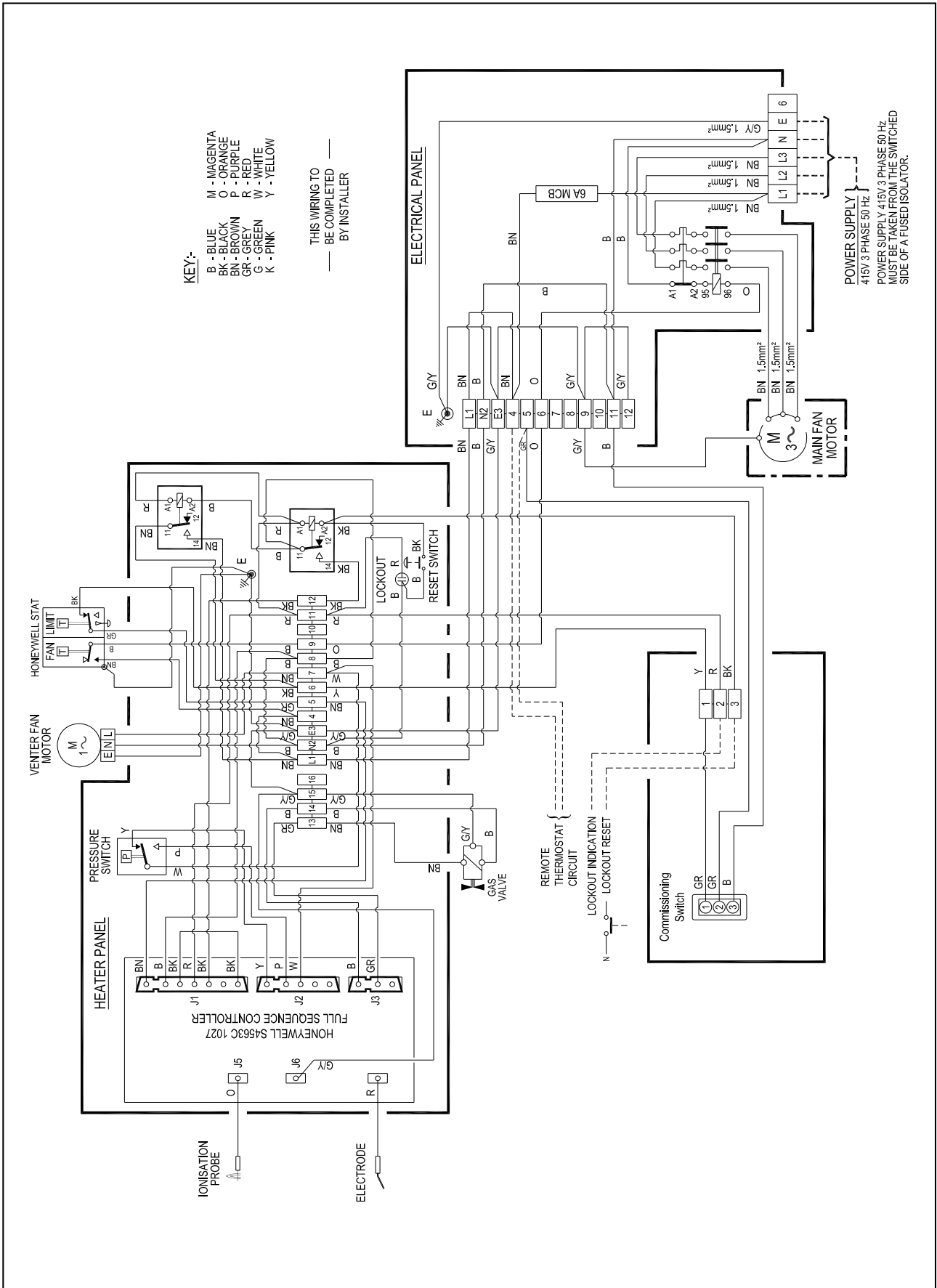
**Wiring Diagram 33-66-206**  
**PV 30-50 ON/OFF HI/LO Auto Ignition**  
**Less Controls 230/50/1ph (No Controller)**



**Wiring Diagram 33-66-208**  
**PV 72-145 ON/OFF HI/LO Auto Ignition**  
**Less Controls 230/50/1ph (No Controller)**



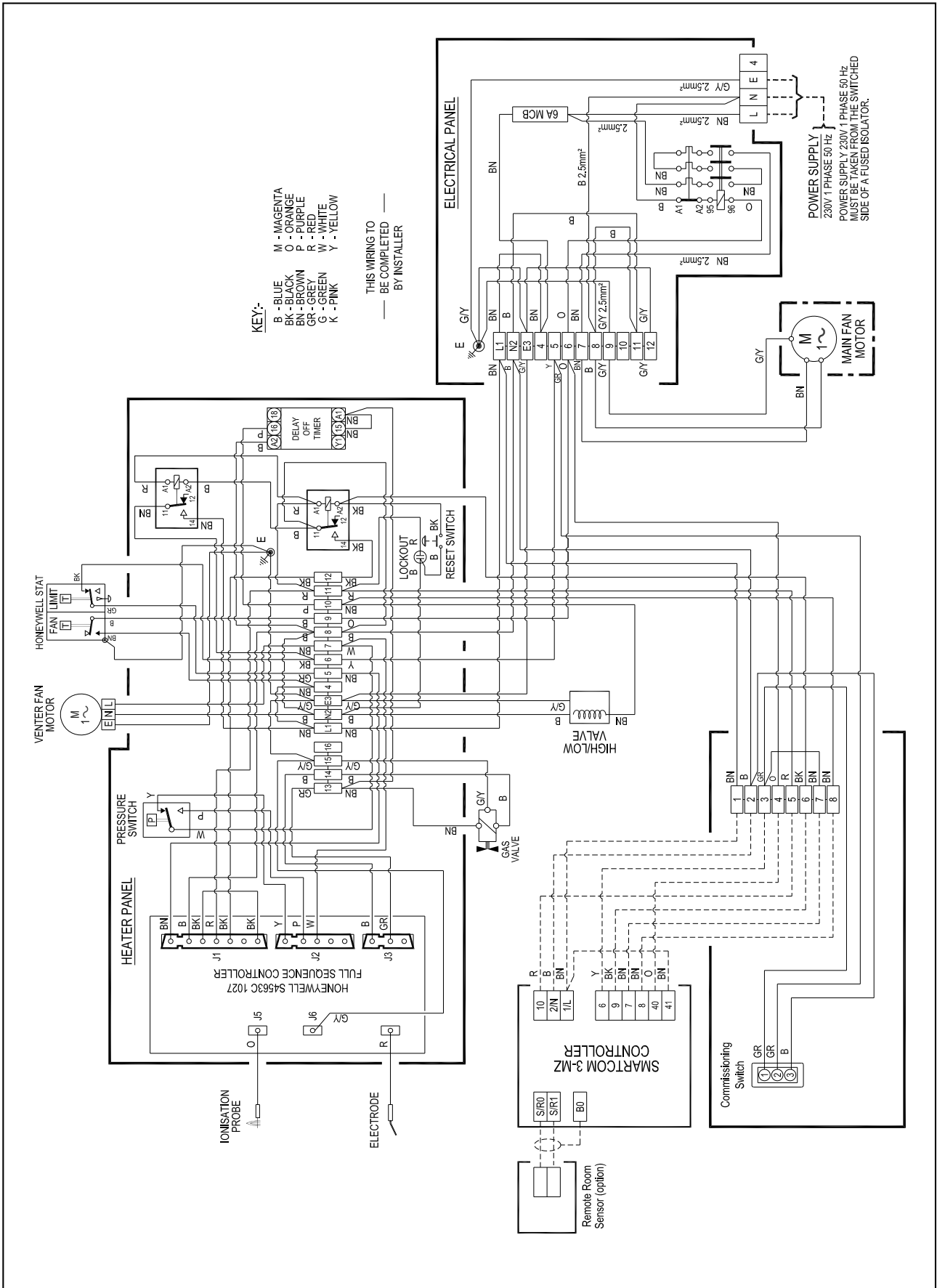
**Wiring Diagram 33-66-207**  
**PV 72-145 ON/OFF HI/LO Auto Ignition**  
**Less Controls 415/50/3ph (No Controller)**





PV 72-145 HI/LOW Auto Ignition

SC<sup>3</sup>-MZ 230/50/1ph (Remote SmartCom Controller)



**Wiring Diagram 33-66-457**  
**PV 72-145 HI/LOW Auto Ignition**  
**SC<sup>3</sup>-MZ 415/50/3ph (Remote SmartCom Controller)**

