

WIRING DIAGRAM MANUAL FOR BENSON PV CABINET HEATER



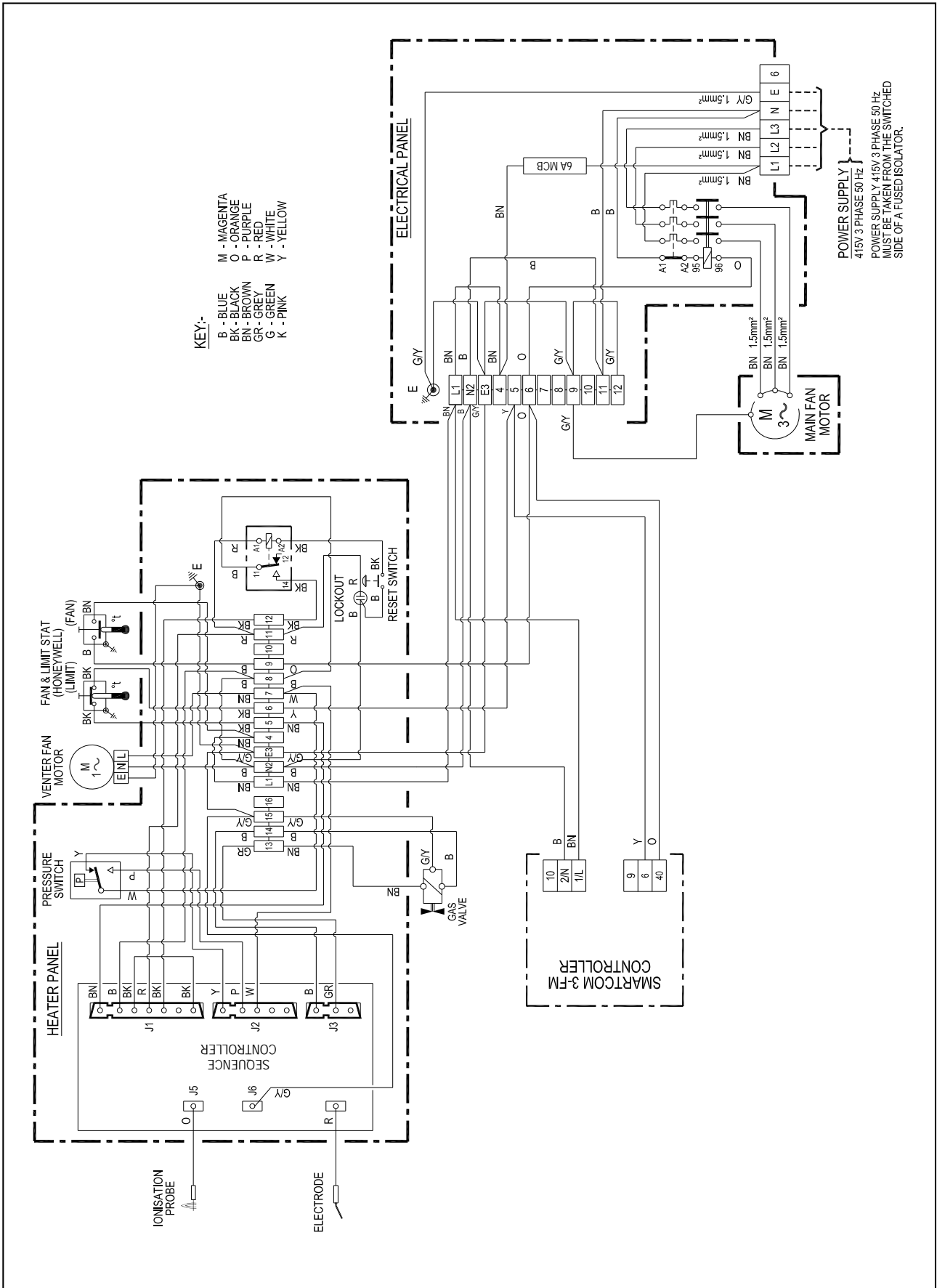
WARNINGS

Installation of Benson Equipment must be carried out in accordance with the current IEE wiring regulations (BS 7671), BS 6896 (Industrial & Commercial) and any other relevant British Standards and Codes of Practice by a qualified installer. All external wiring **MUST** comply with the current IEE wiring regulations.

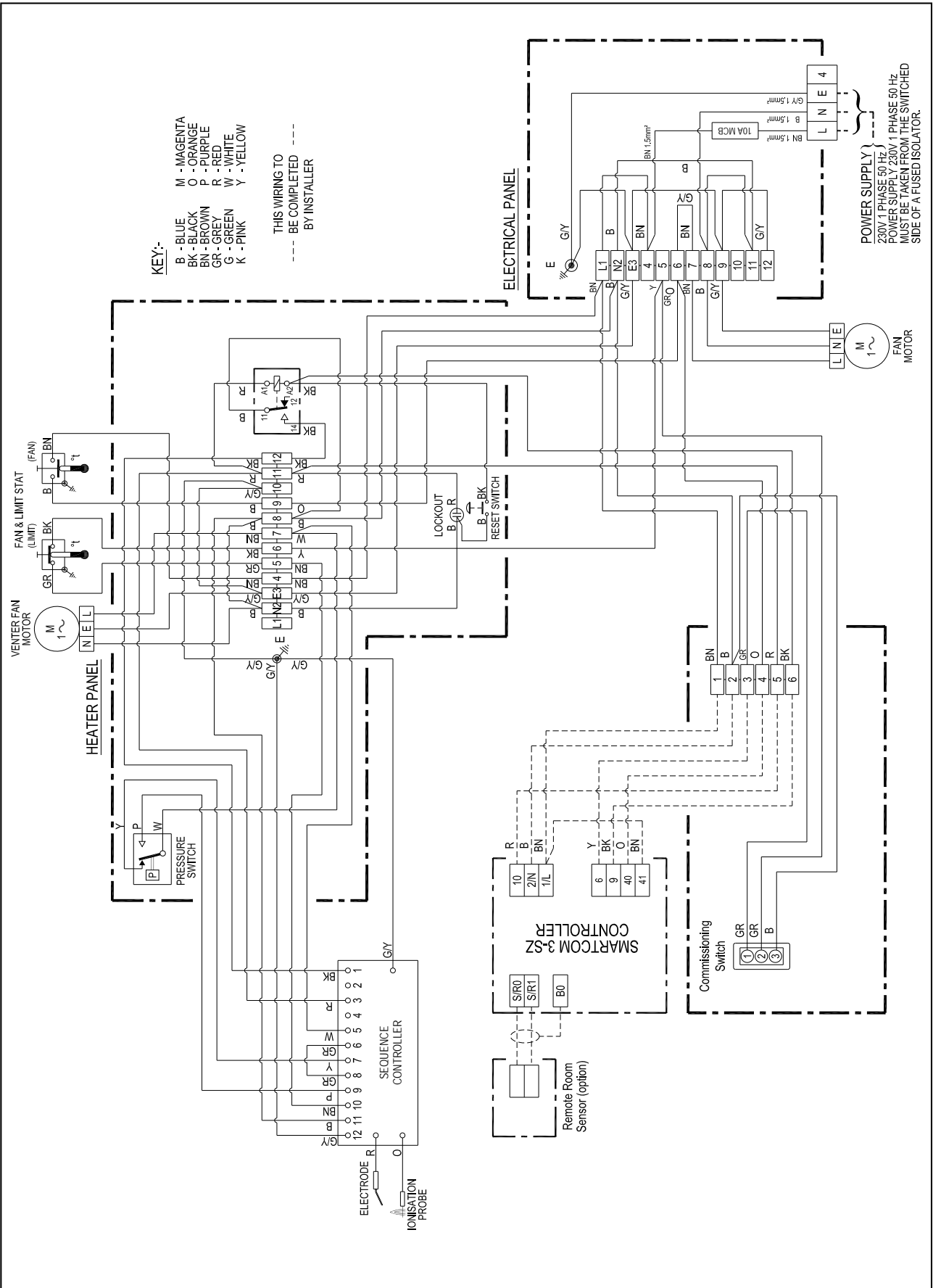
Wiring Diagram 33-66-450

PV 72-145 ON/OFF Auto Ignition

SC³-FM 415/50/3ph (SmartCom Facia Mounted Controller)



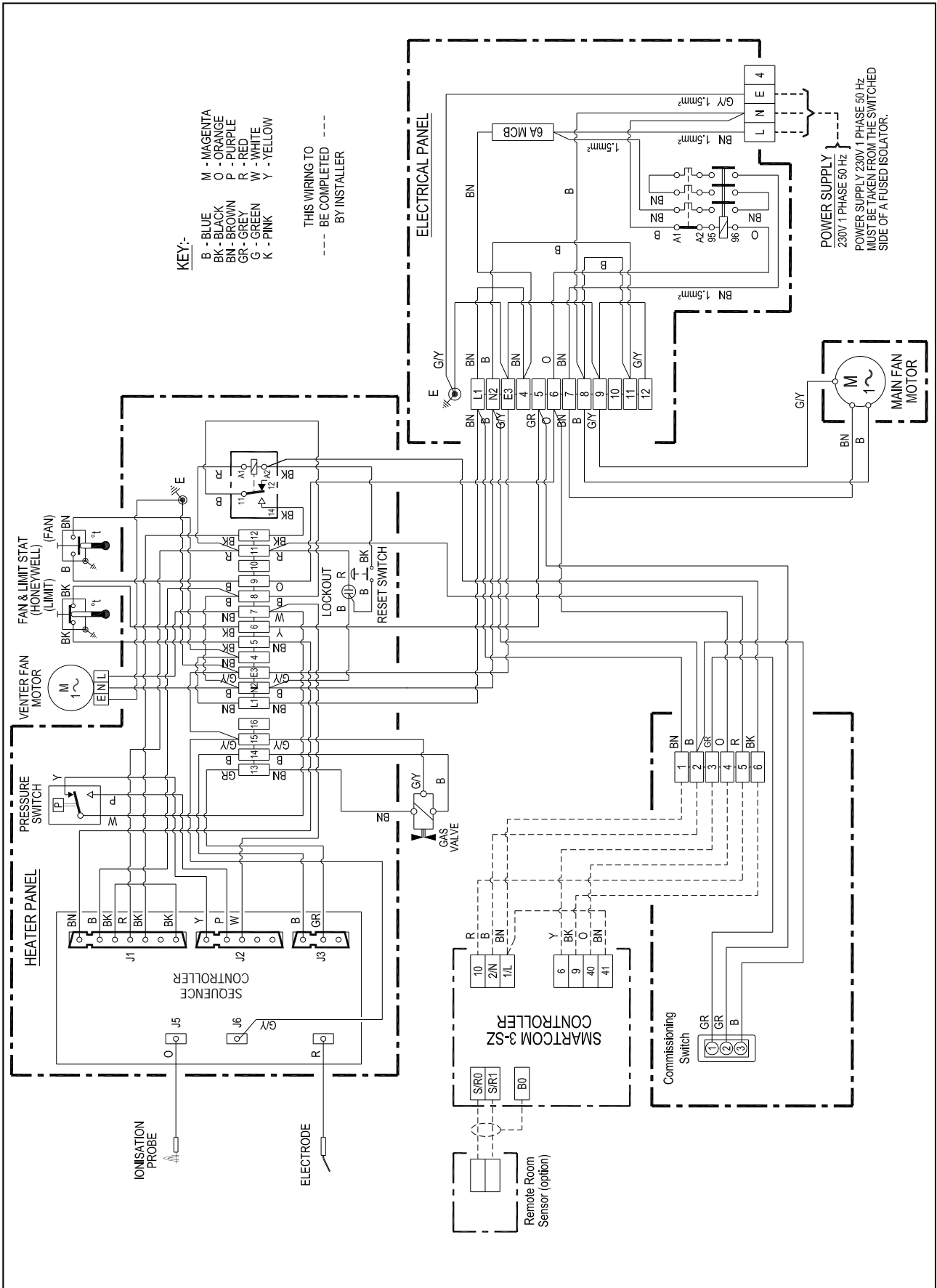
Wiring Diagram 33-66-451
PV 30-50 ON/OFF Auto Ignition
SC3-SZ 230/50/1ph (Remote SmartCom Controller)



Wiring Diagram 33-66-447

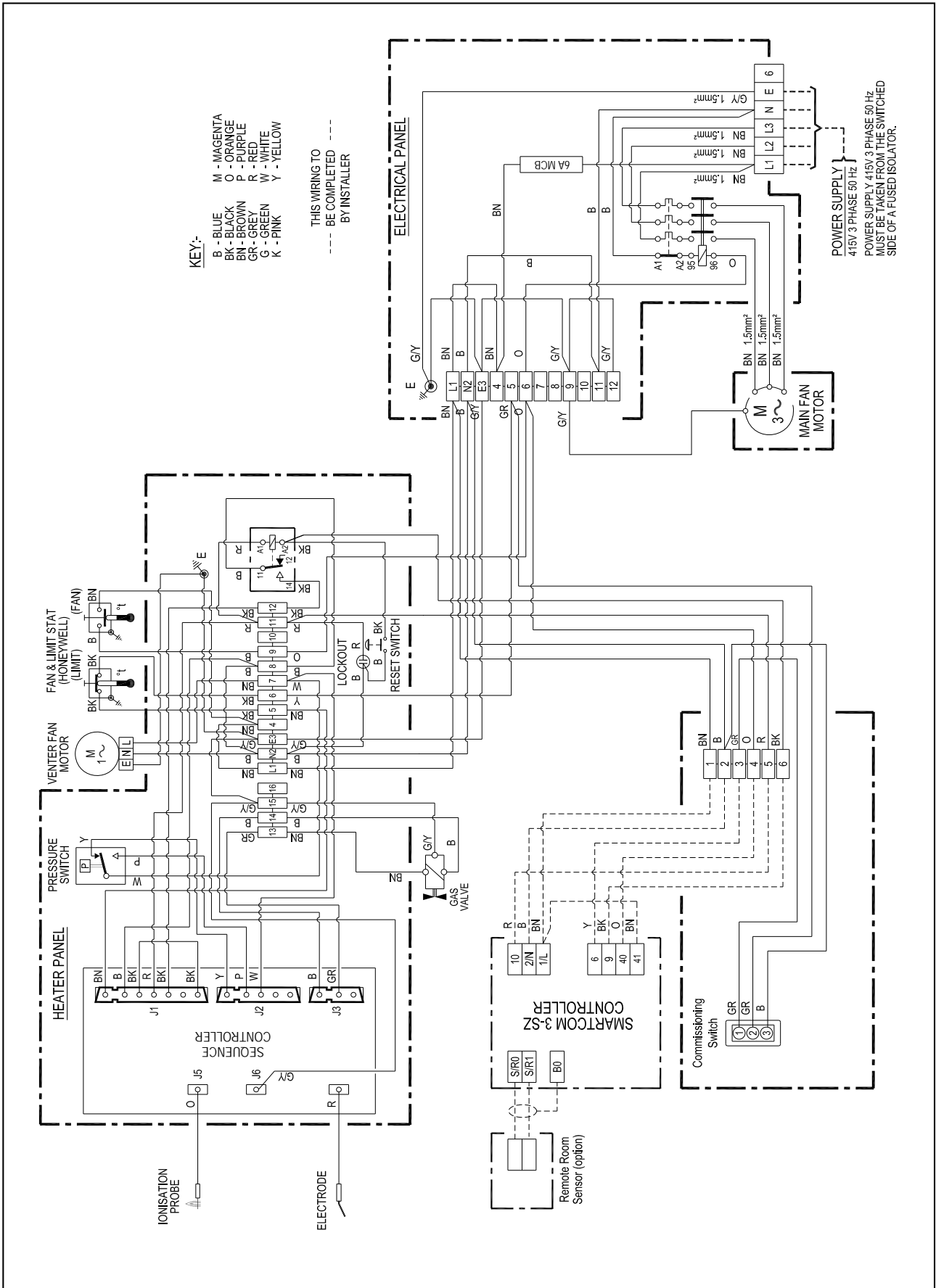
PV 72-145 ON/OFF Auto Ignition

SC³-SZ 230/50/1ph (Remote SmartCom Controller)



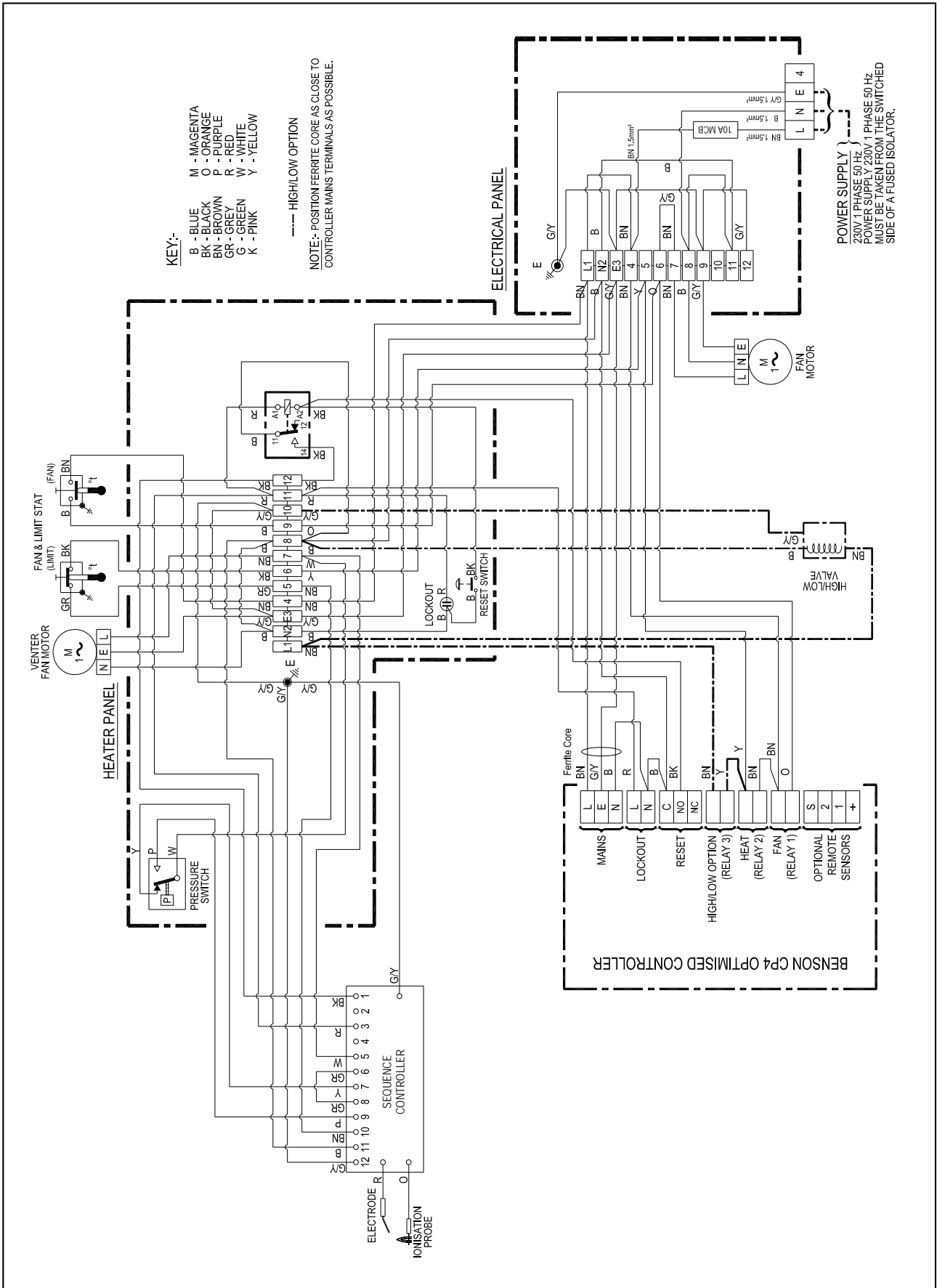
PV 72-145 ON/OFF Auto Ignition

SC3-SZ 415/50/3ph (Remote SmartCom Controller)



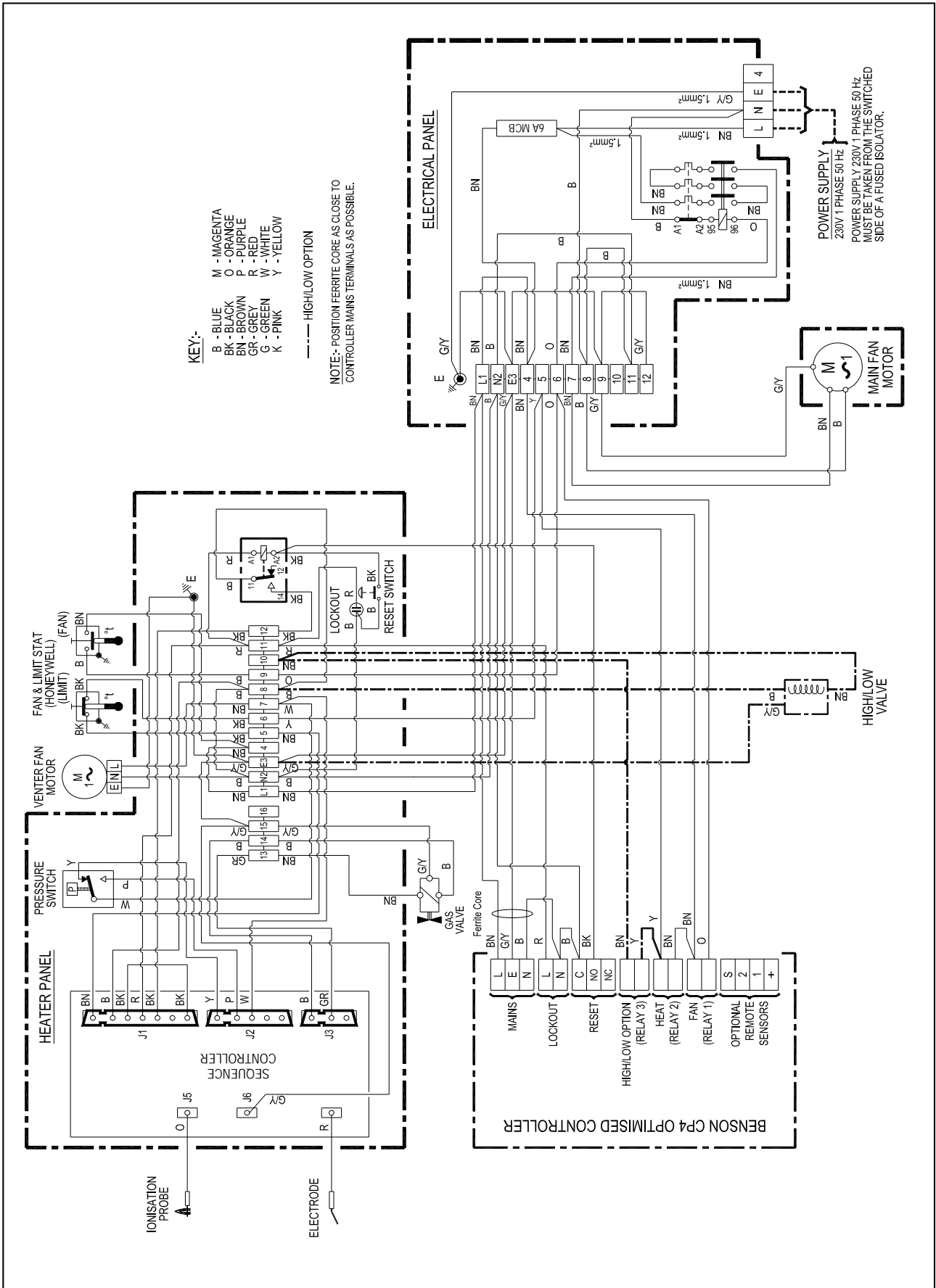
Wiring Diagram 33-66-201

PV 30-50 ON/OFF HI/LO Auto Ignition
CP4 230/50/1ph (Remote CP4 Controller)



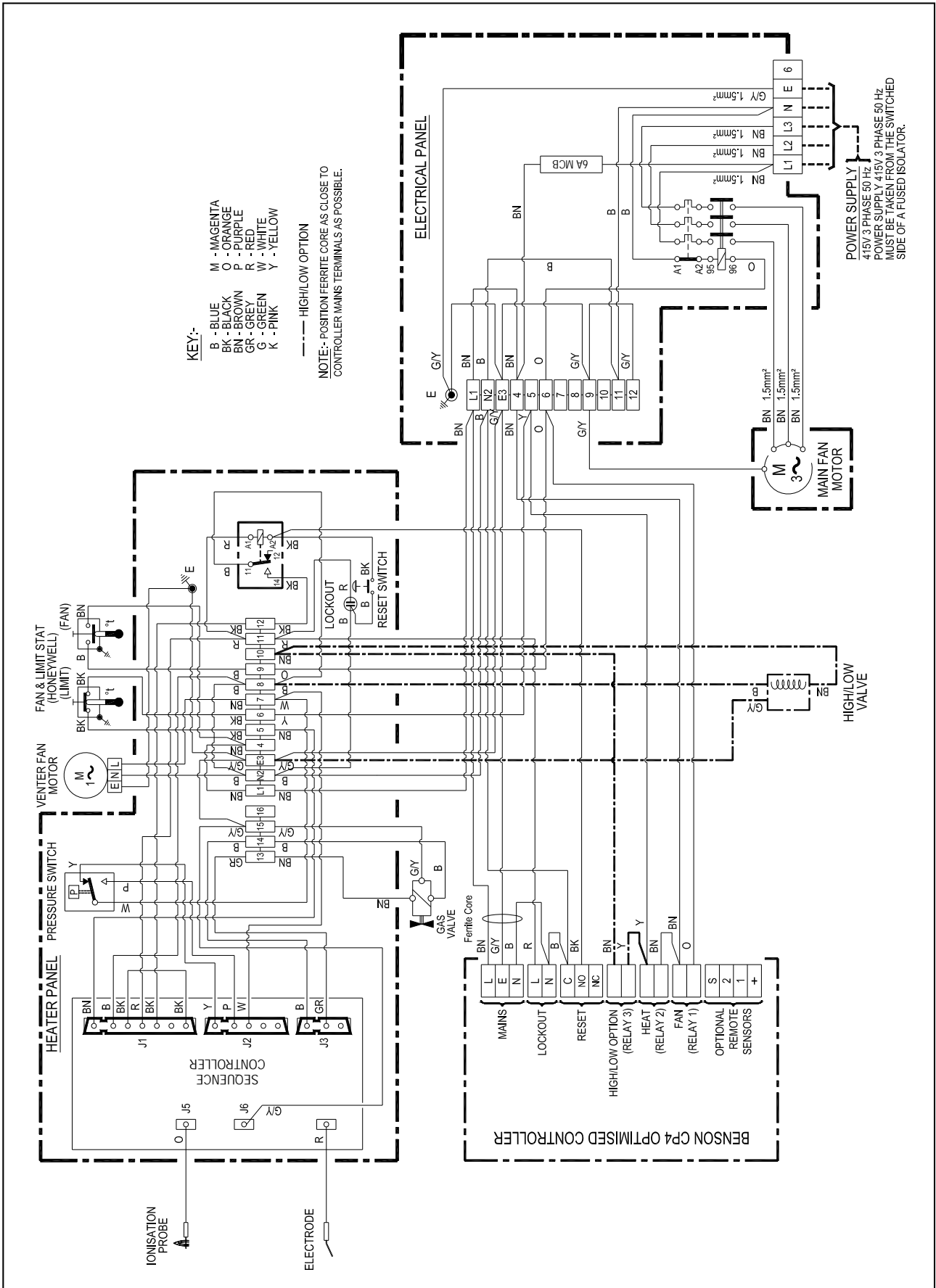
Wiring Diagram 33-66-205

PV 72-145 ON/OFF HI/LO Auto Ignition
 CP4 230/50/1ph (Remote CP4 Controller)

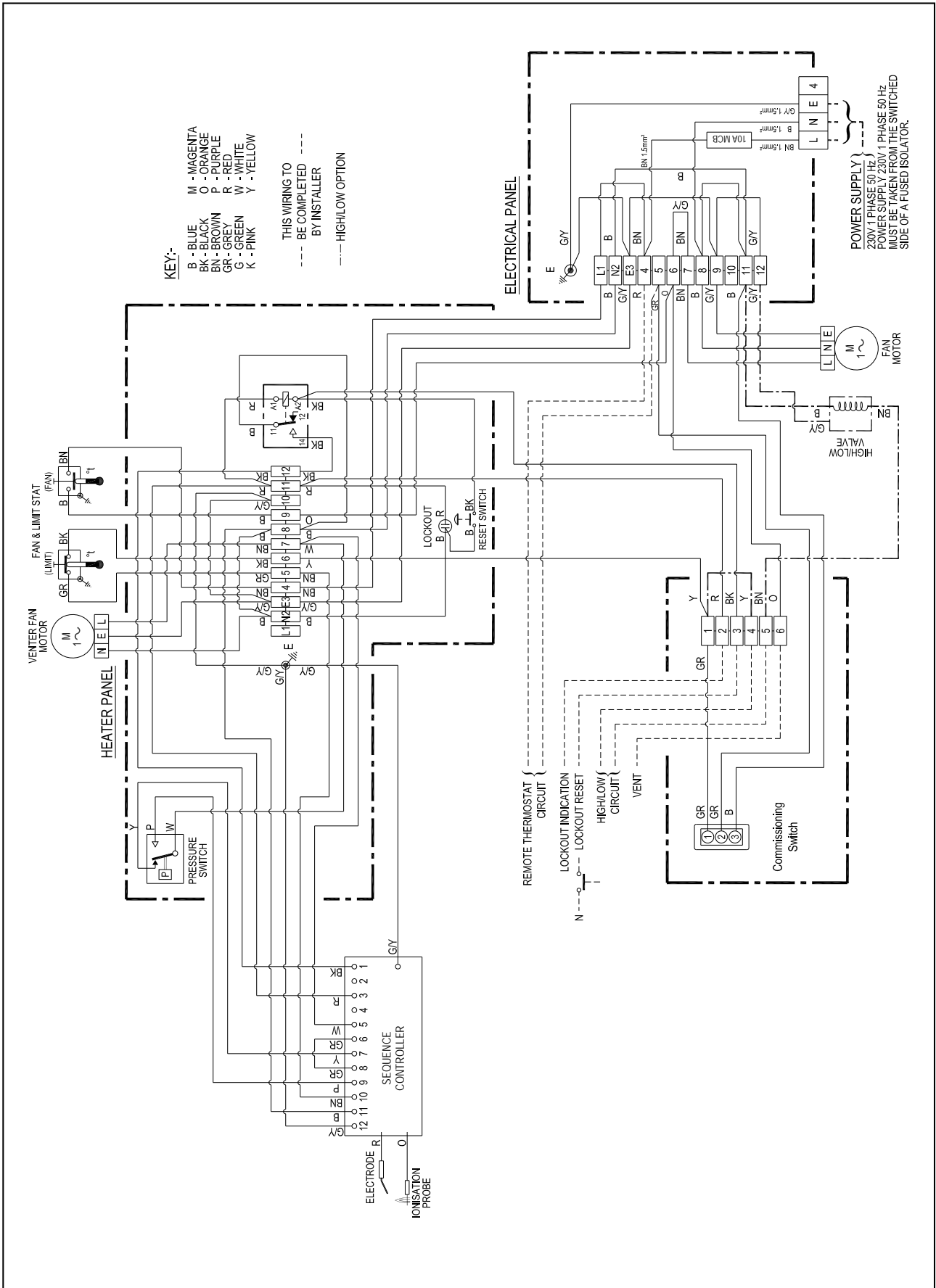


Wiring Diagram 33-66-203

PV 72-145 ON/OFF HI/LO Auto Ignition
CP4 415/50/3ph (Remote CP4 Controller)

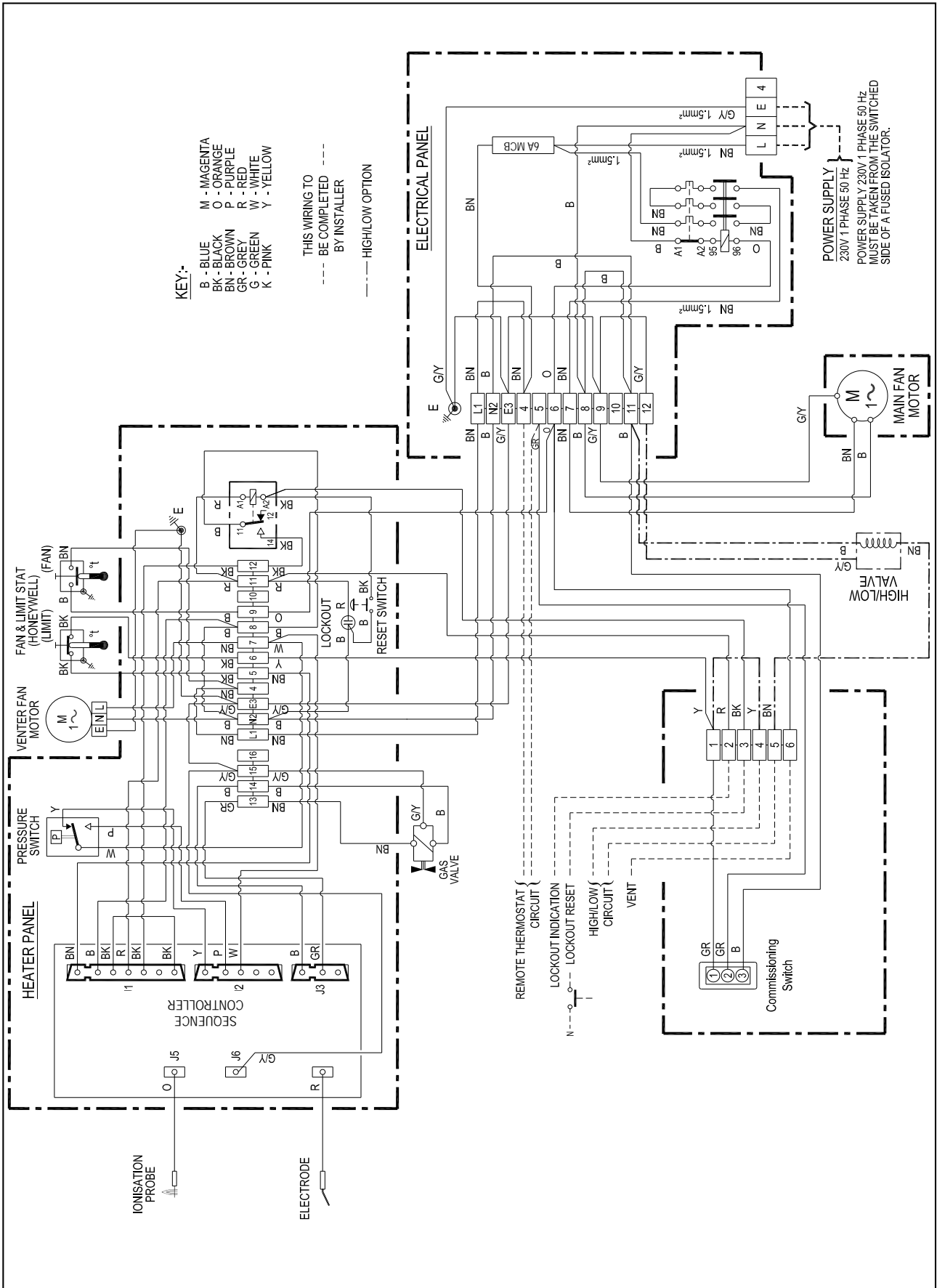


Wiring Diagram 33-66-206
PV 30-50 ON/OFF HI/LO Auto Ignition
Less Controls 230/50/1ph (No Controller)



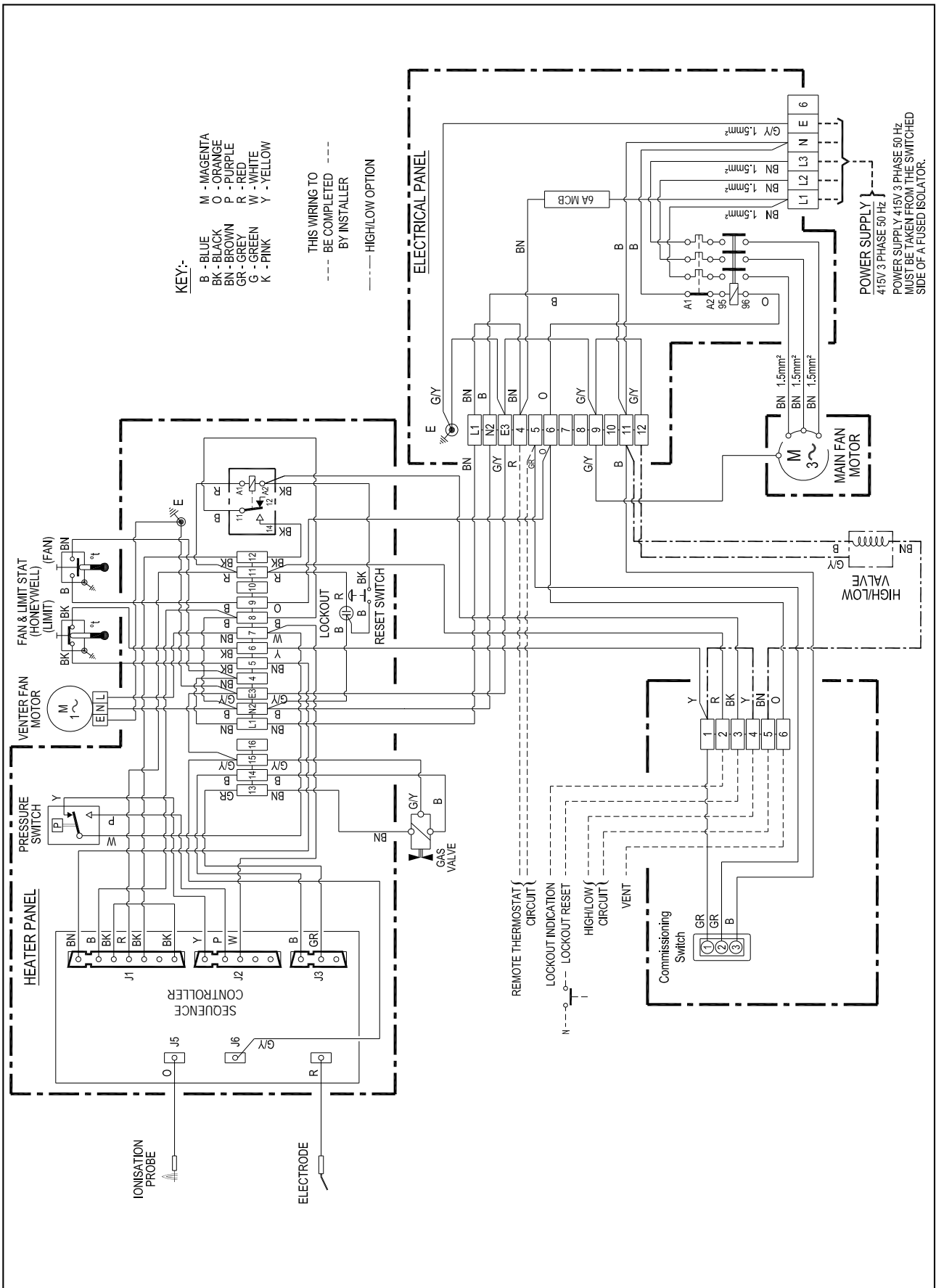
Wiring Diagram 33-66-208

**PV 72-145 ON/OFF HI/LO Auto Ignition
Less Controls 230/50/1ph (No Controller)**

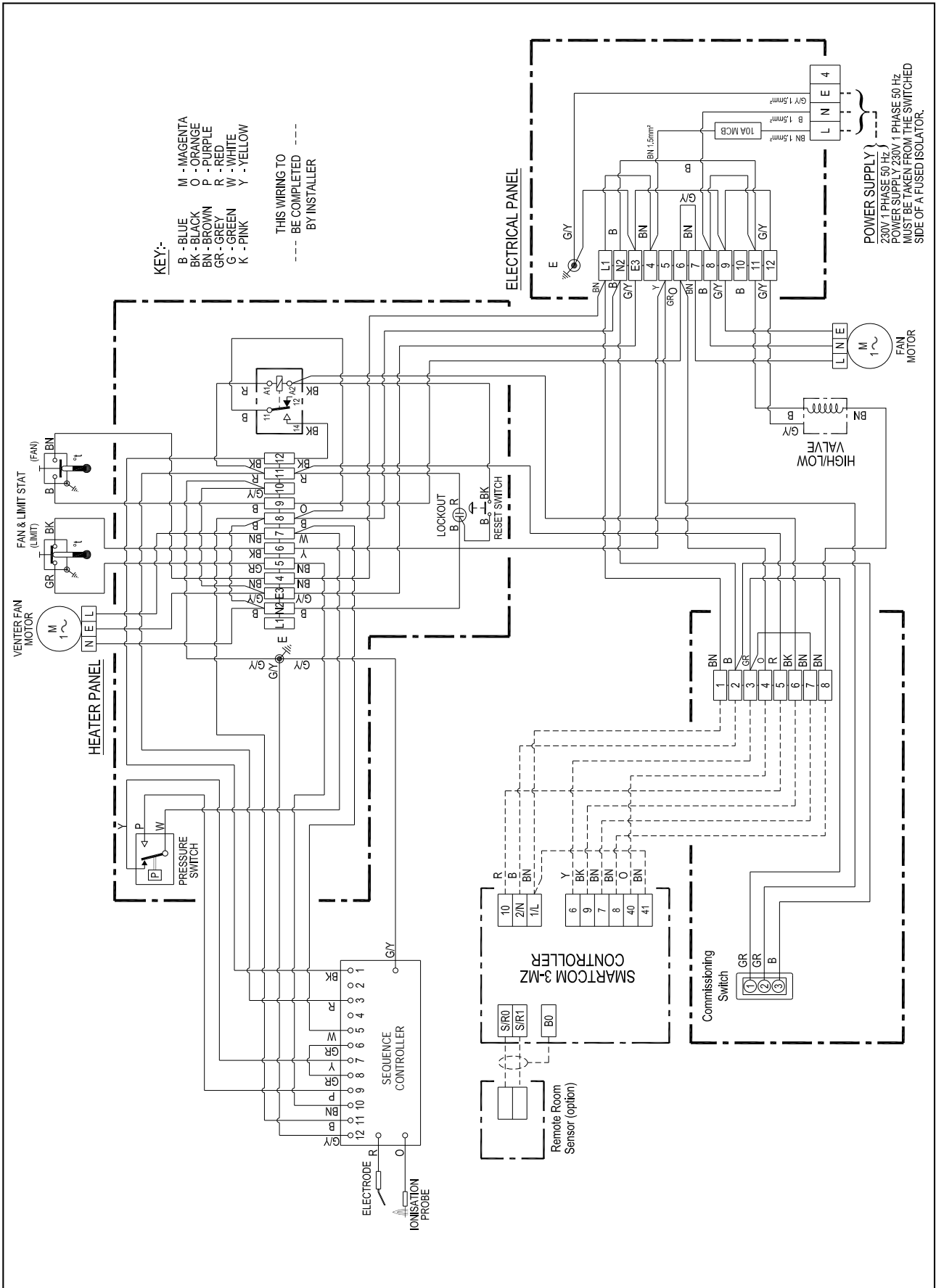


Wiring Diagram 33-66-207

**PV 72-145 ON/OFF HI/LO Auto Ignition
Less Controls 415/50/3ph (No Controller)**

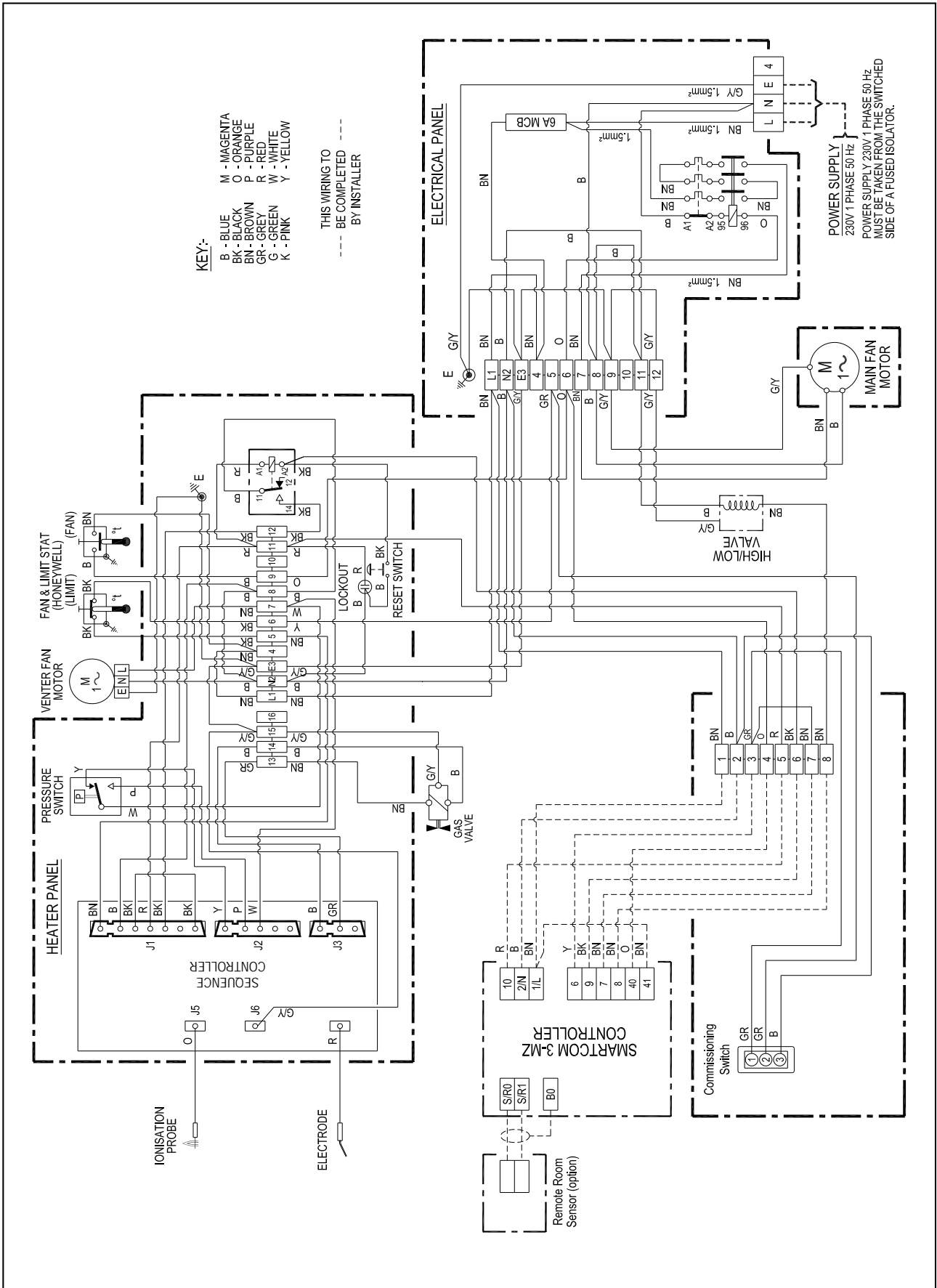


Wiring Diagram 33-66-454
PV 30-50 HI/LOW Auto Ignition
SC3-MZ 230/50/1ph (Remote SmartCom Controller)



PV 72-145 HI/LOW Auto Ignition

SC³-MZ 230/50/1ph (Remote SmartCom Controller)



Wiring Diagram 33-66-457

PV 72-145 HI/LOW Auto Ignition

SC³-MZ 415/50/3ph (Remote SmartCom Controller)

