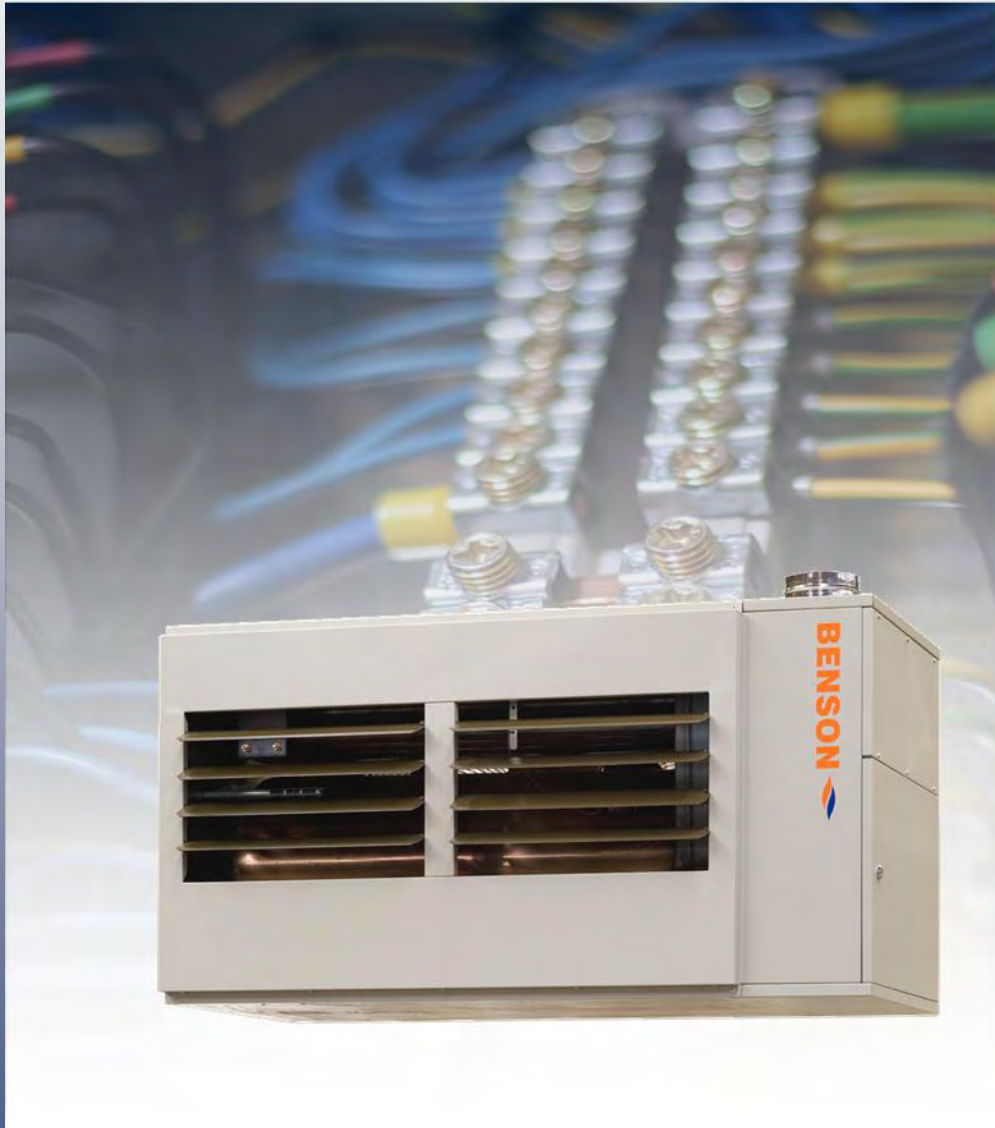

Technical Support:

Tel: 01384 489200

Email: ambiradgroupsupport@tnb.com

BENSON

WIRING DIAGRAM MANUAL FOR BENSON OUH OIL FIRED HEATER

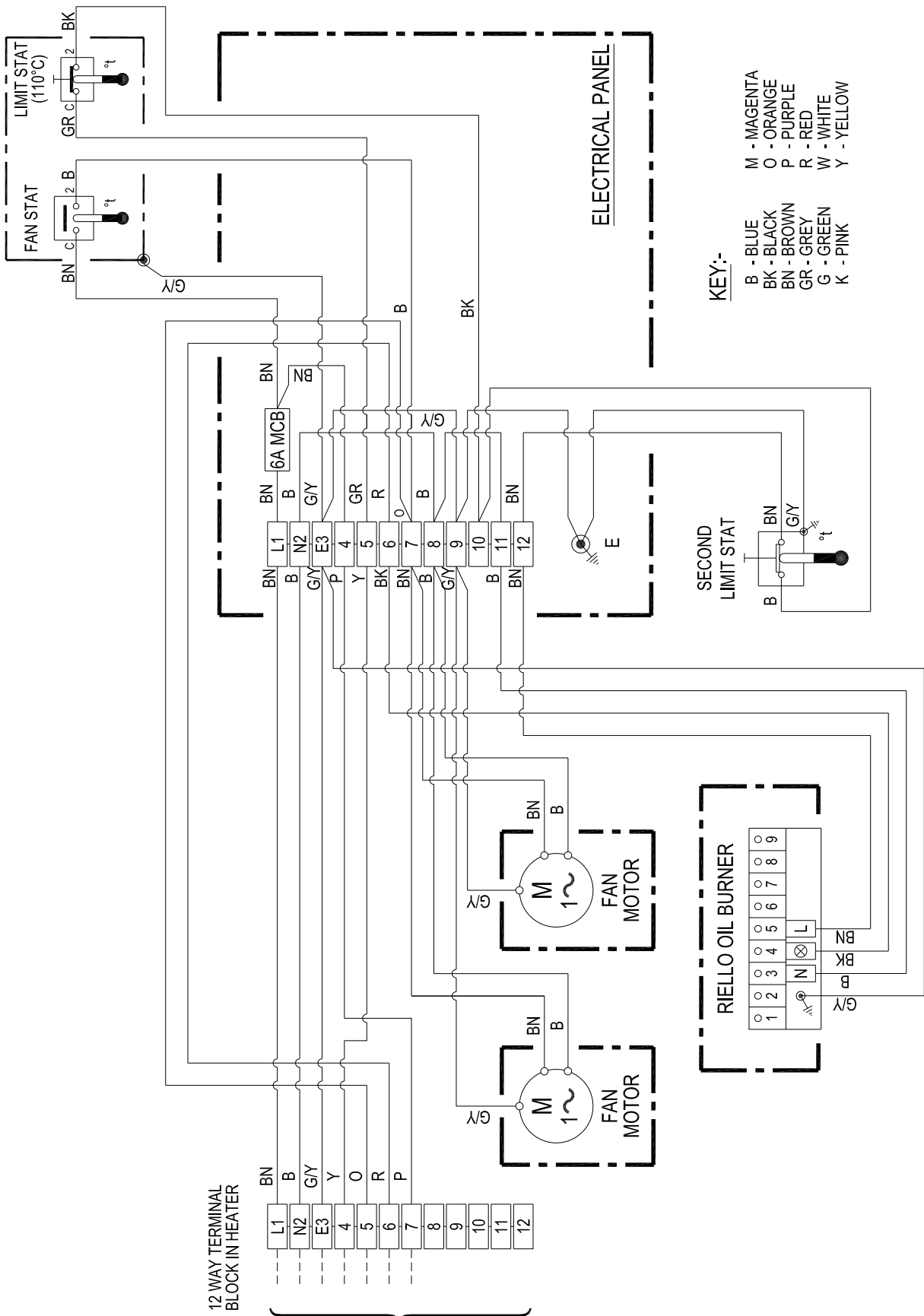


WARNINGS

Installation of Benson Equipment must be carried out in accordance with the current IEE wiring regulations (BS 7671), BS 6896 (Industrial & Commercial) and any other relevant British Standards and Codes of Practice by a qualified installer. All external wiring **MUST** comply with the current IEE wiring regulations.

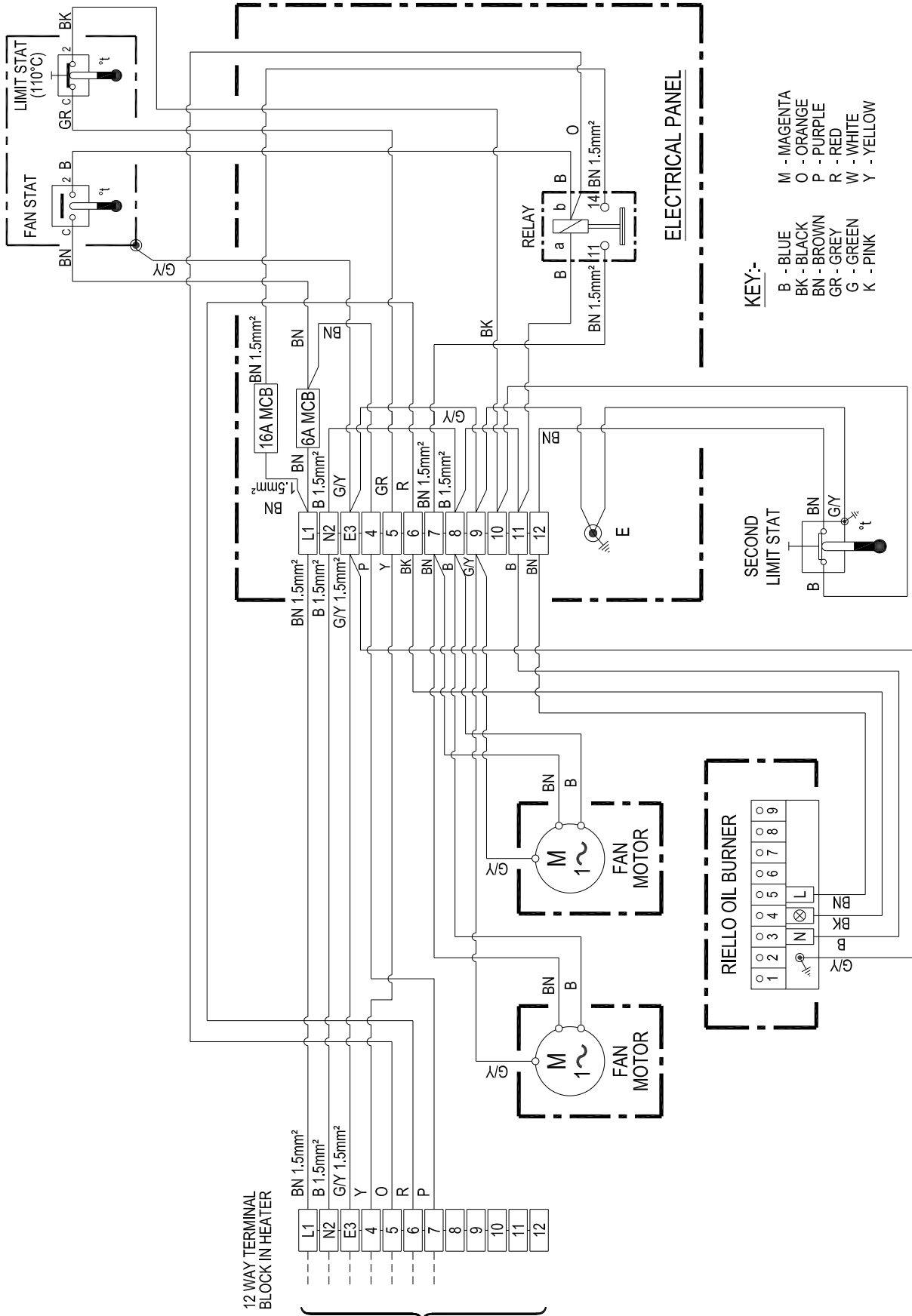
Internal Wiring Diagram 33-65-238

Ouha 60-100 ON/OFF Riello Oil Fired Burner



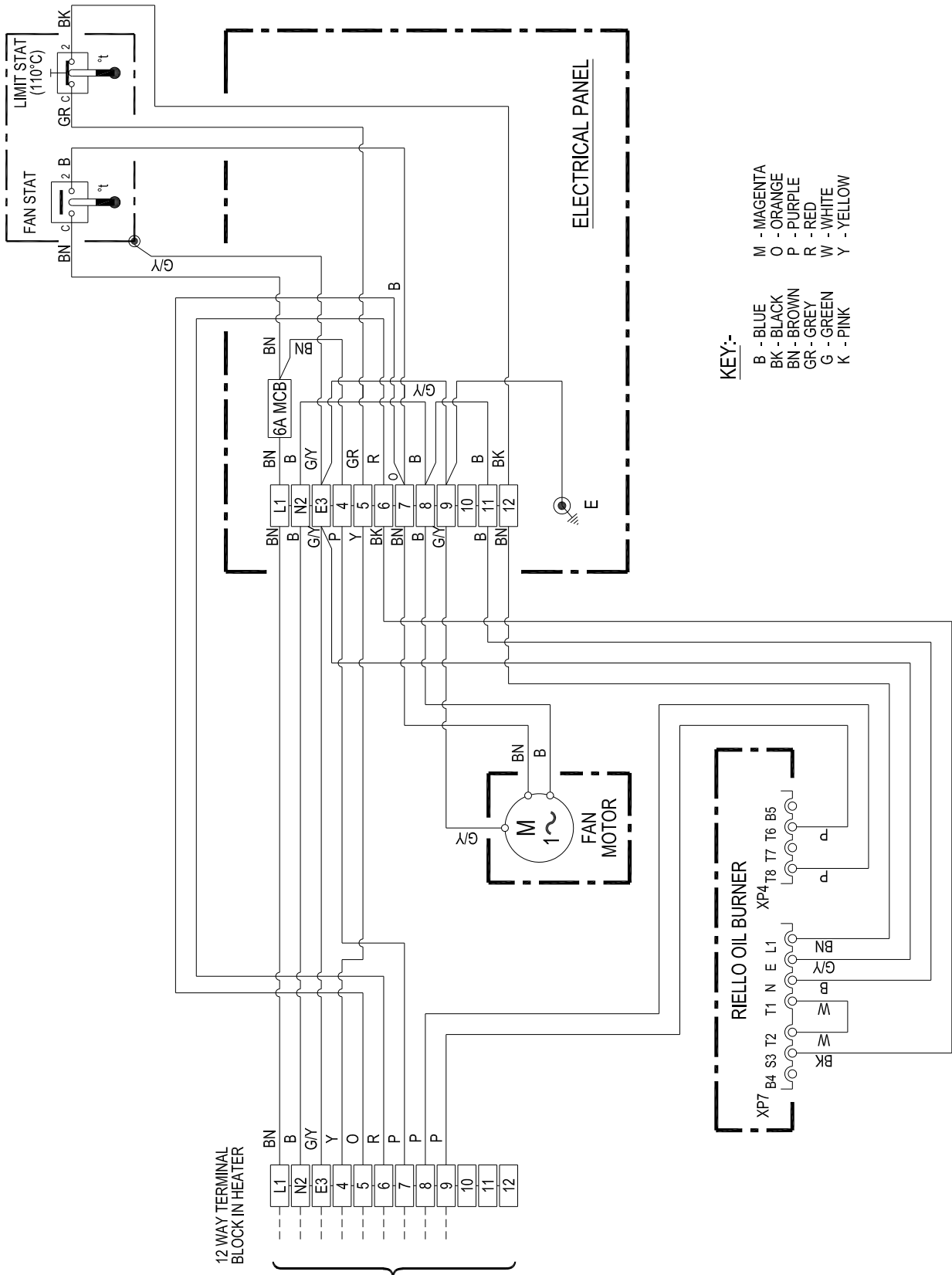
Internal Wiring Diagram 33-65-239

OUHC 60-100 ON/OFF Riello Oil Fired Burner



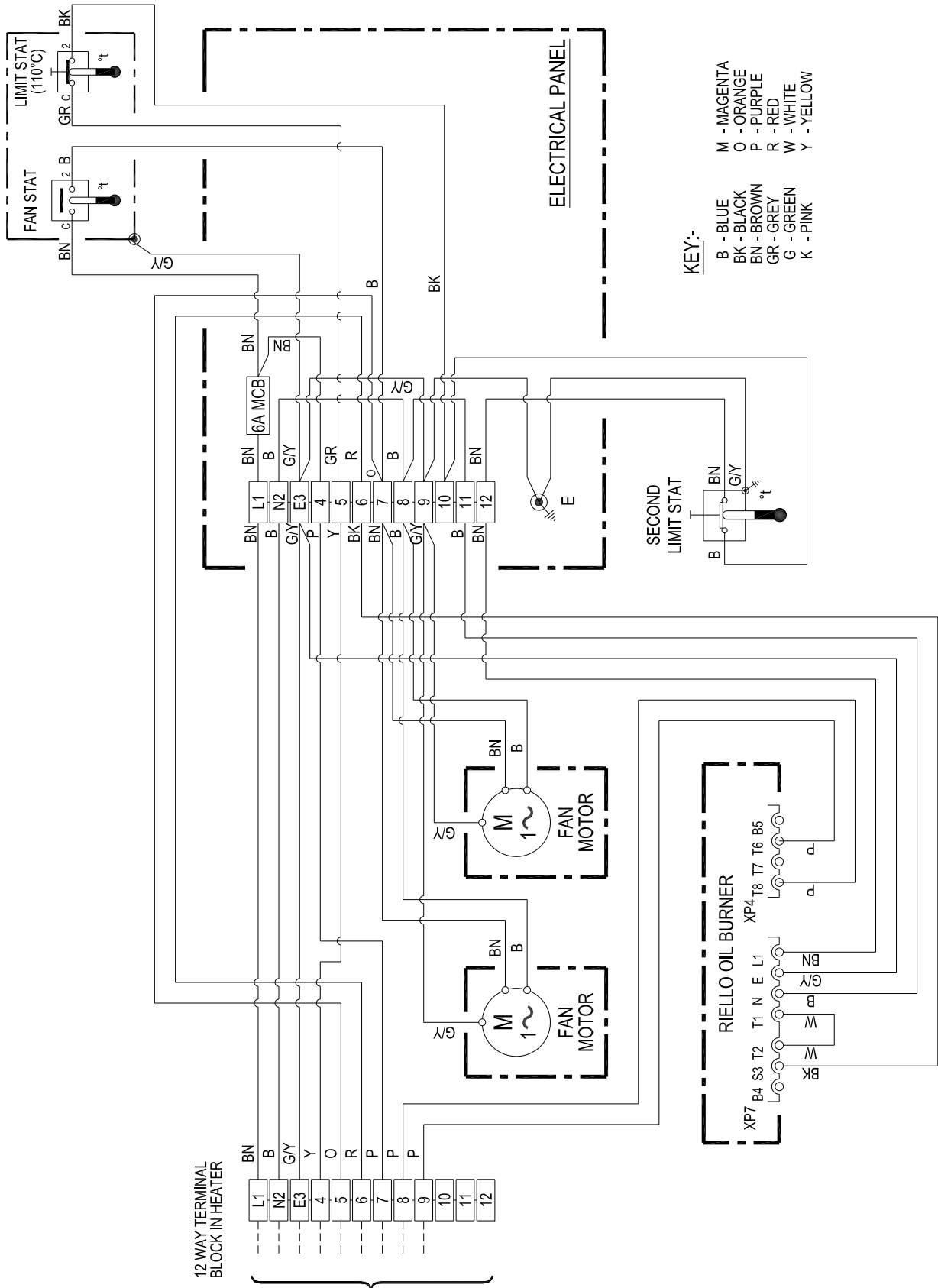
Internal Wiring Diagram 33-65-240

OUHA 30-40 HI/LOW Riello Oil Fired Burner



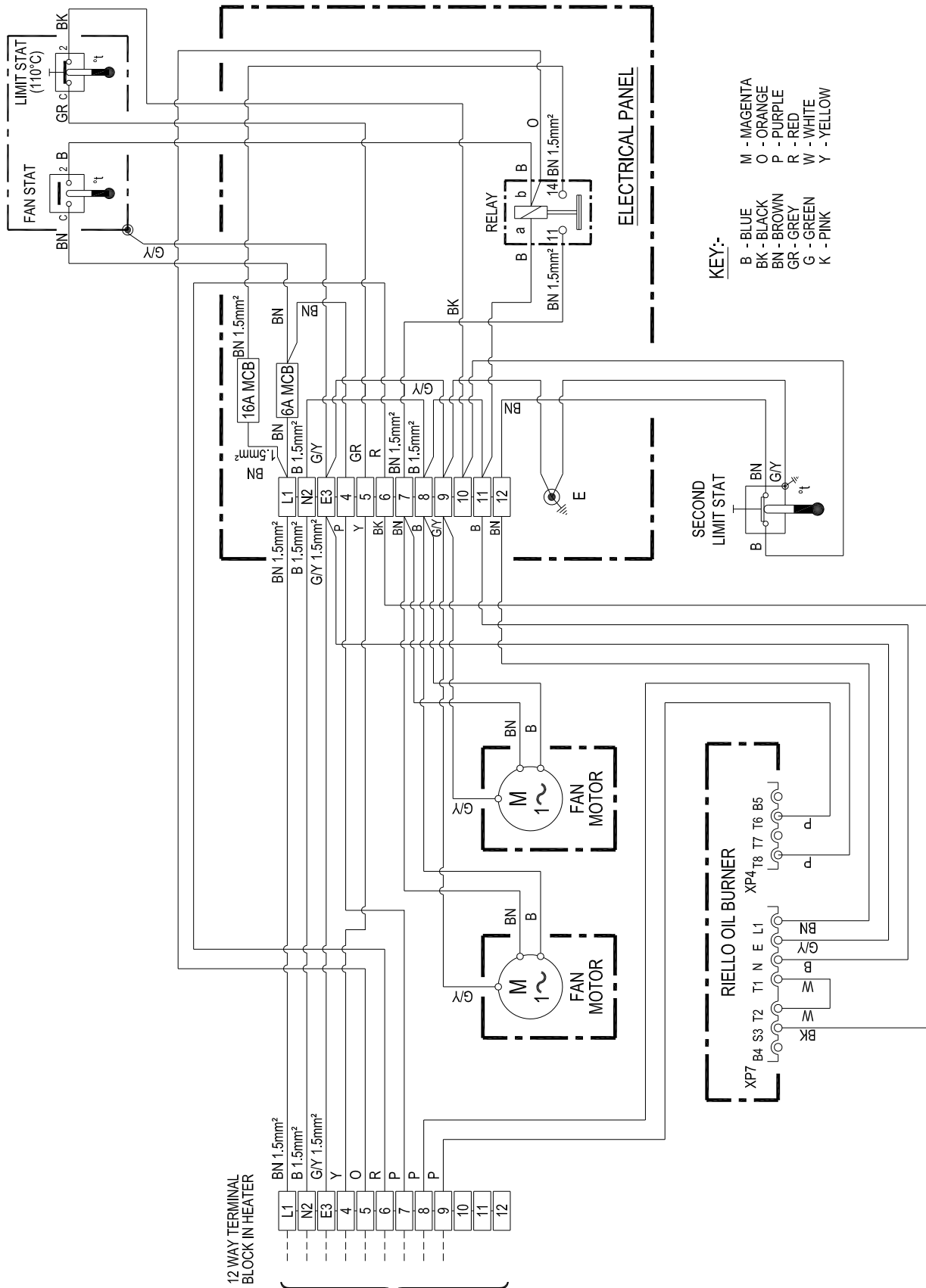
Internal Wiring Diagram 33-65-241

Ouha 60-100 HI/LOW Riello Oil Fired Burner



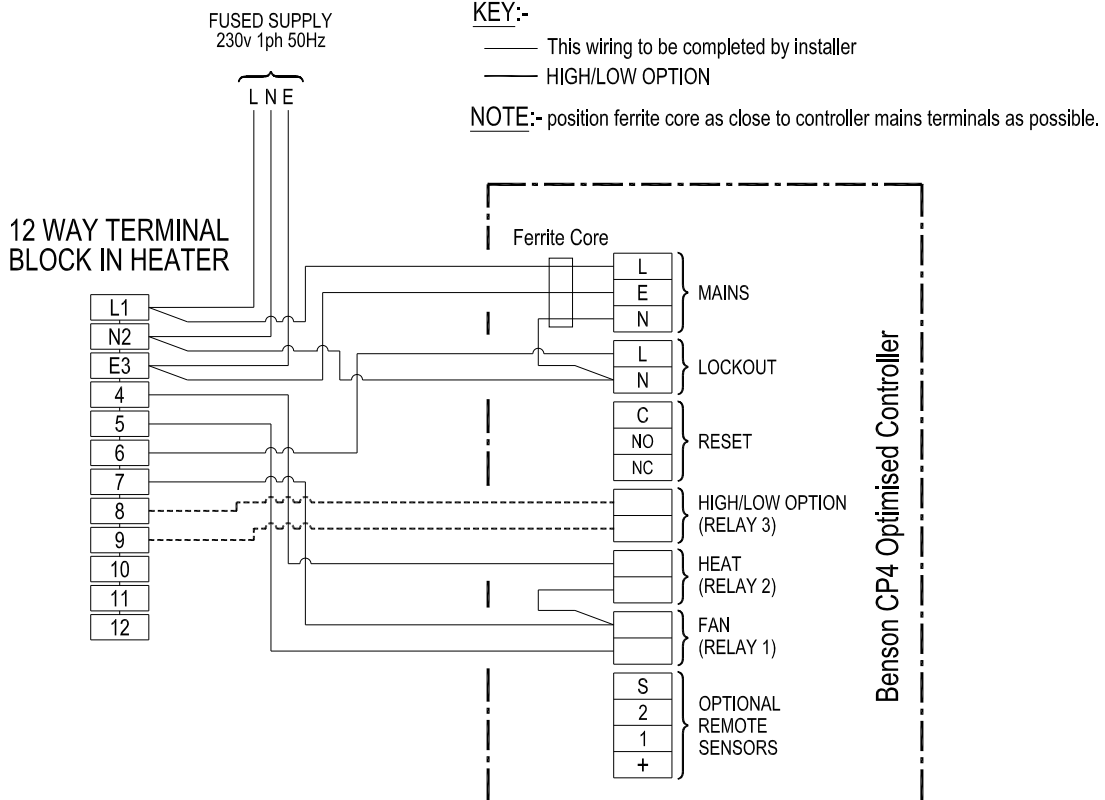
Internal Wiring Diagram 33-65-242

OUHC 60-100 HI/LOW Riello Oil Fired Burner



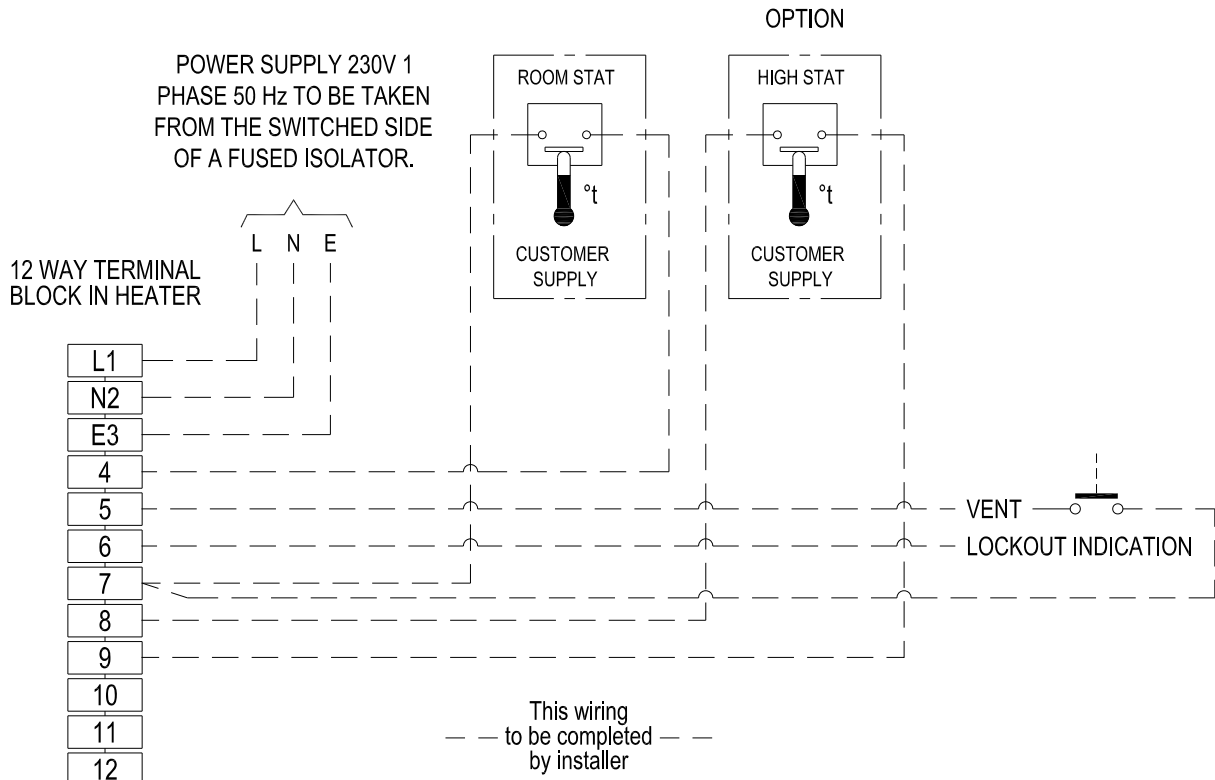
Remote Connections 33-65-131

ON/OFF (HI/LOW) to CP4



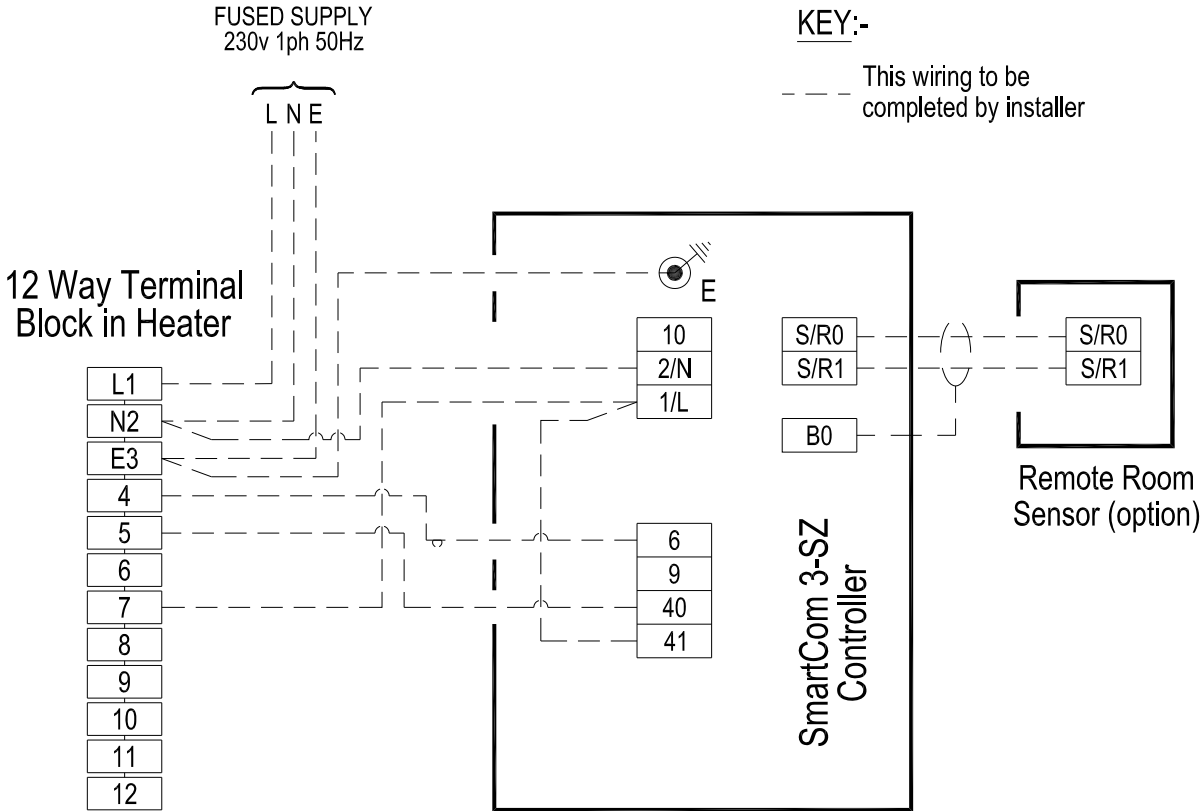
Remote Connections 33-65-228

ON/OFF (HI/LOW) Less Controls



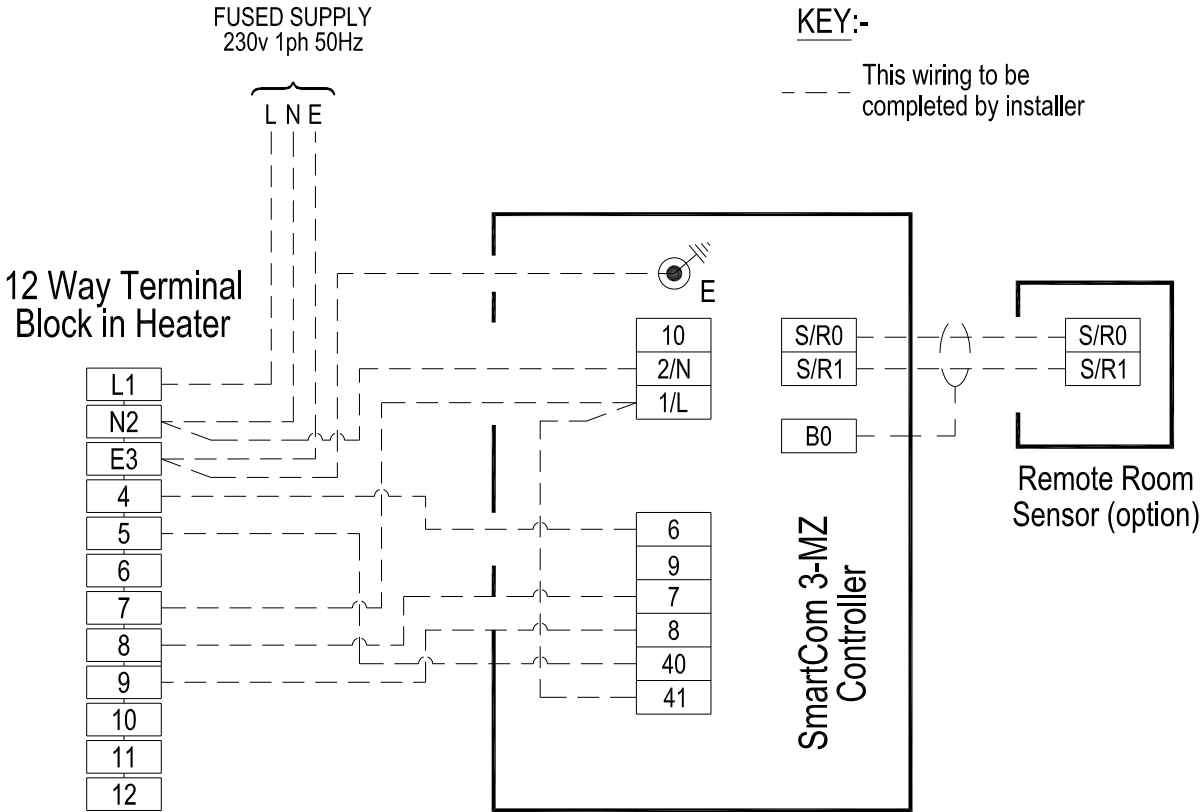
Remote Connections 33-65-228

ON/OFF to SmartCom SC3-SZ



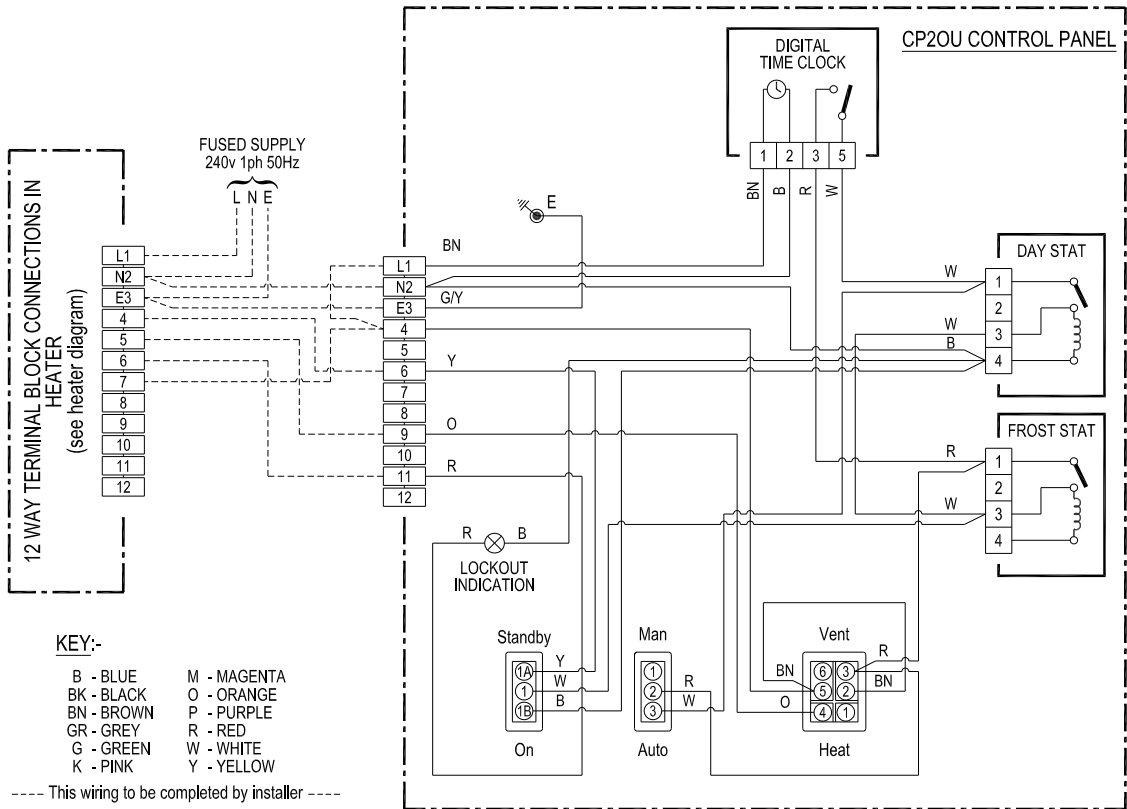
Remote Connections 33-65-229

HI/LOW to SmartCom SC3-MZ



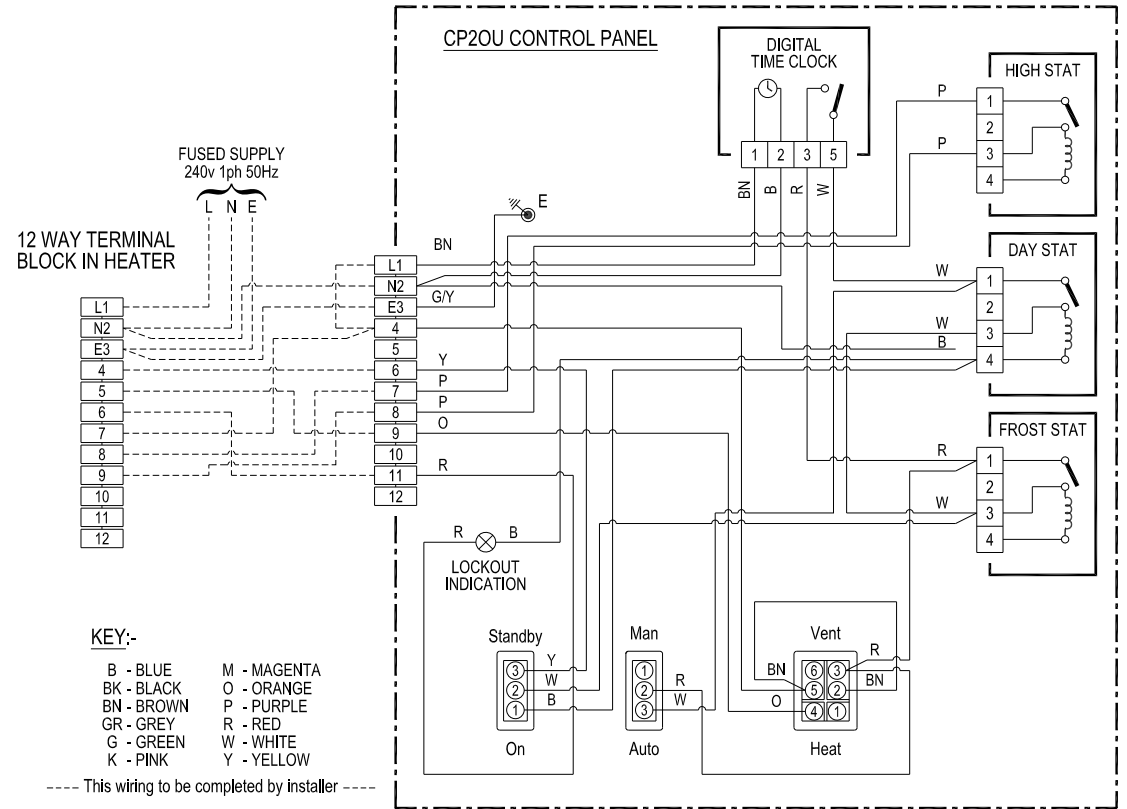
Remote Connections 33-65-102

ON/OFF to CP20U



Remote Connections 33-65-130

HI/LOW to CP20U



AmbiRad Group

Heating and Ventilation Solutions

Technical Support:

Tel: **01384 489 200**

Fax: **01384 489 707**

ambiradgroupsupport@tnb.com
www.ambiradgroup.co.uk

AMBIRAD AIRBLOC NORDAIRNICHE BENSON

A Thomas & Betts Company. Registered in England No. 1390934. Registered office: 27/28 East Castle Street, London.

AmbiRad UK is a registered trademark of AmbiRad Limited. Because of continuous product innovation, AmbiRad reserves the right to change product specification without due notice.

