

WIRING DIAGRAM MANUAL FOR BENSON OUH OIL FIRED HEATER



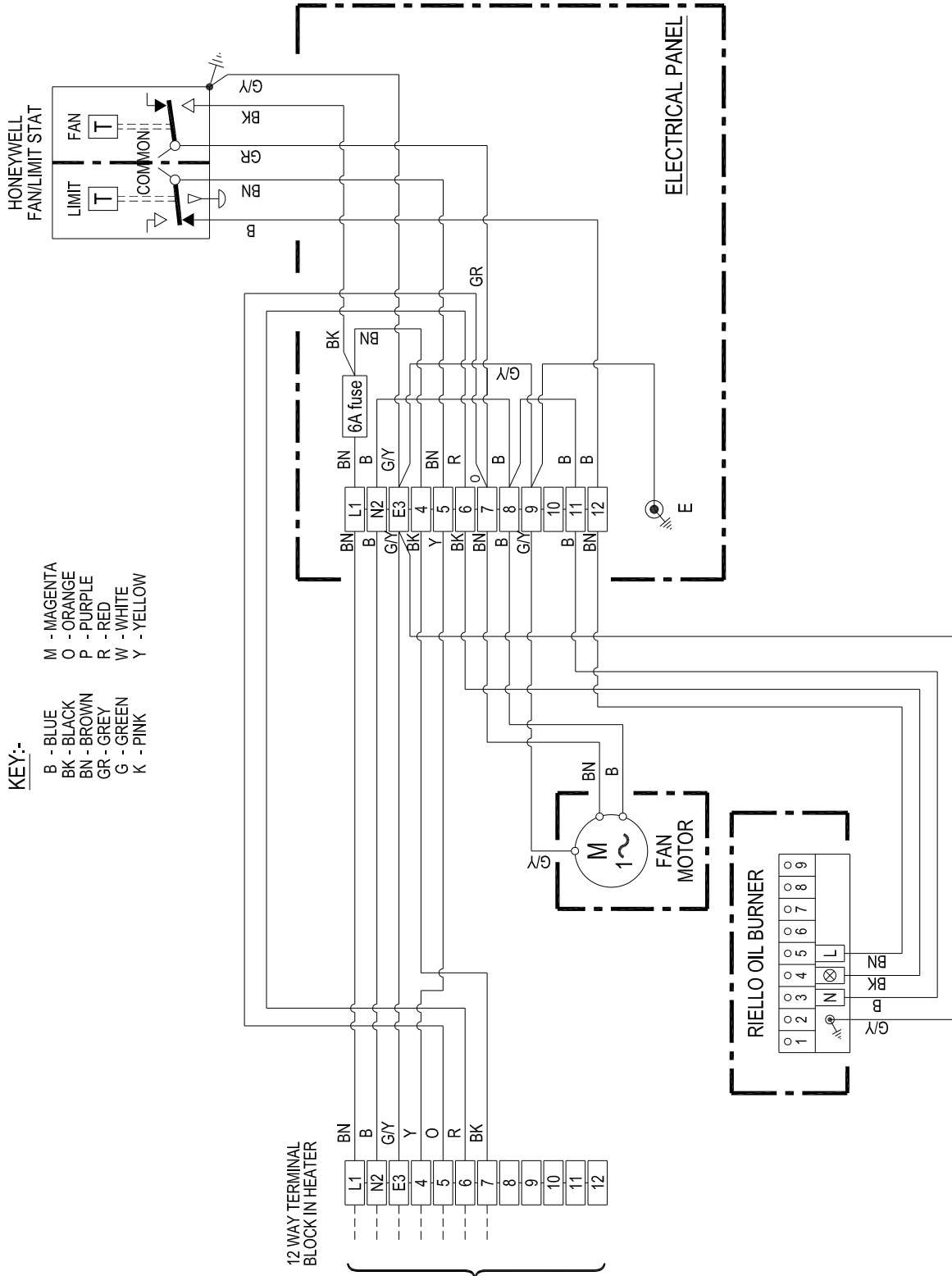
WARNINGS

Installation of Benson Equipment must be carried out in accordance with the current IEE wiring regulations (BS 7671), BS 6896 (Industrial & Commercial) and any other relevant British Standards and Codes of Practice by a qualified installer. All external wiring **MUST** comply with the current IEE wiring regulations.

Wiring Diagrams - OUH Oil Fired Unit Heaters

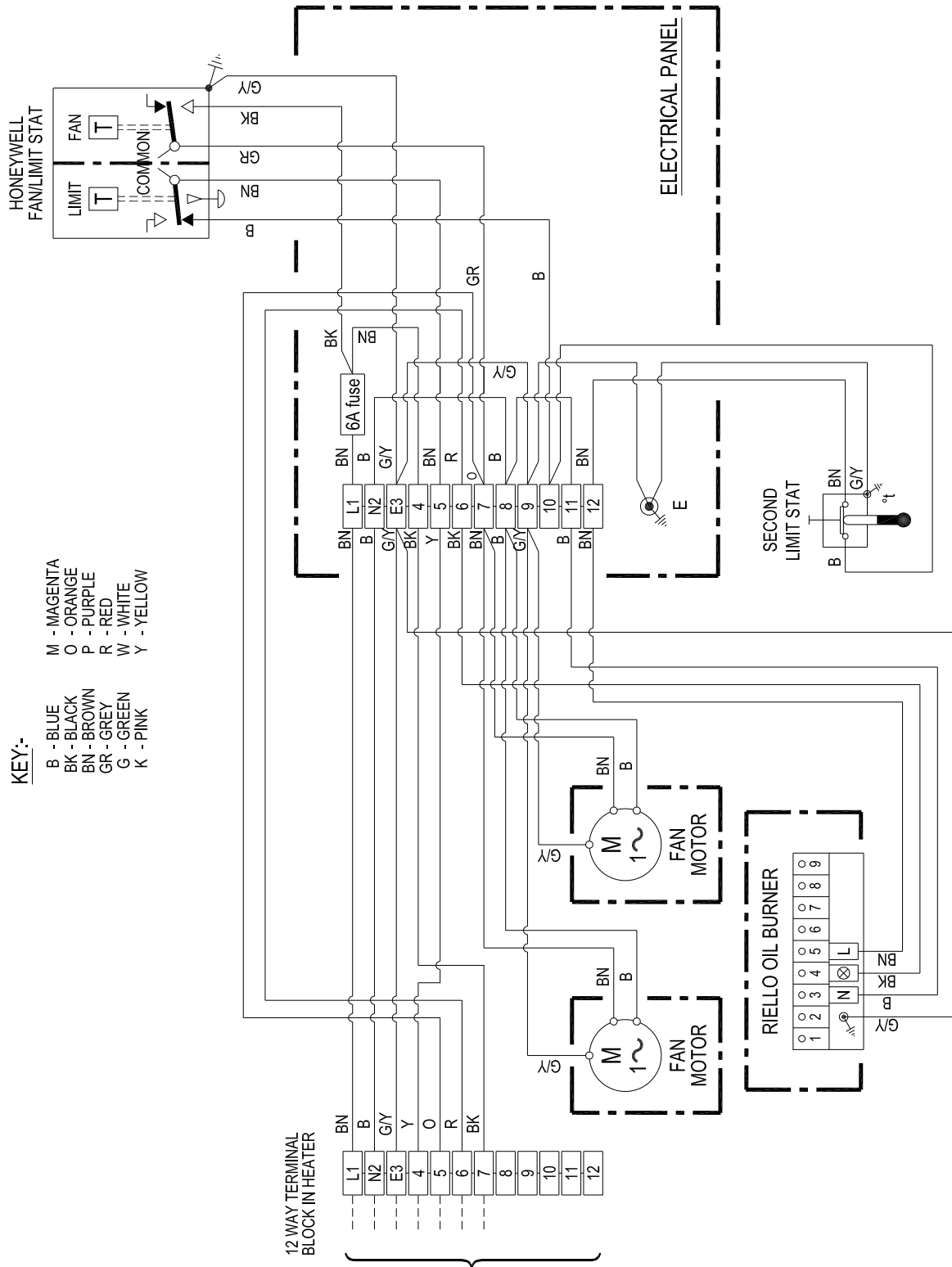
Internal Wiring Diagram 33-65-100

Ouha 100-140 ON/OFF Riello Oil Fired Burner



Internal Wiring Diagram 33-65-106

Ouha 200-350 ON/OFF Riello Oil Fired Burner

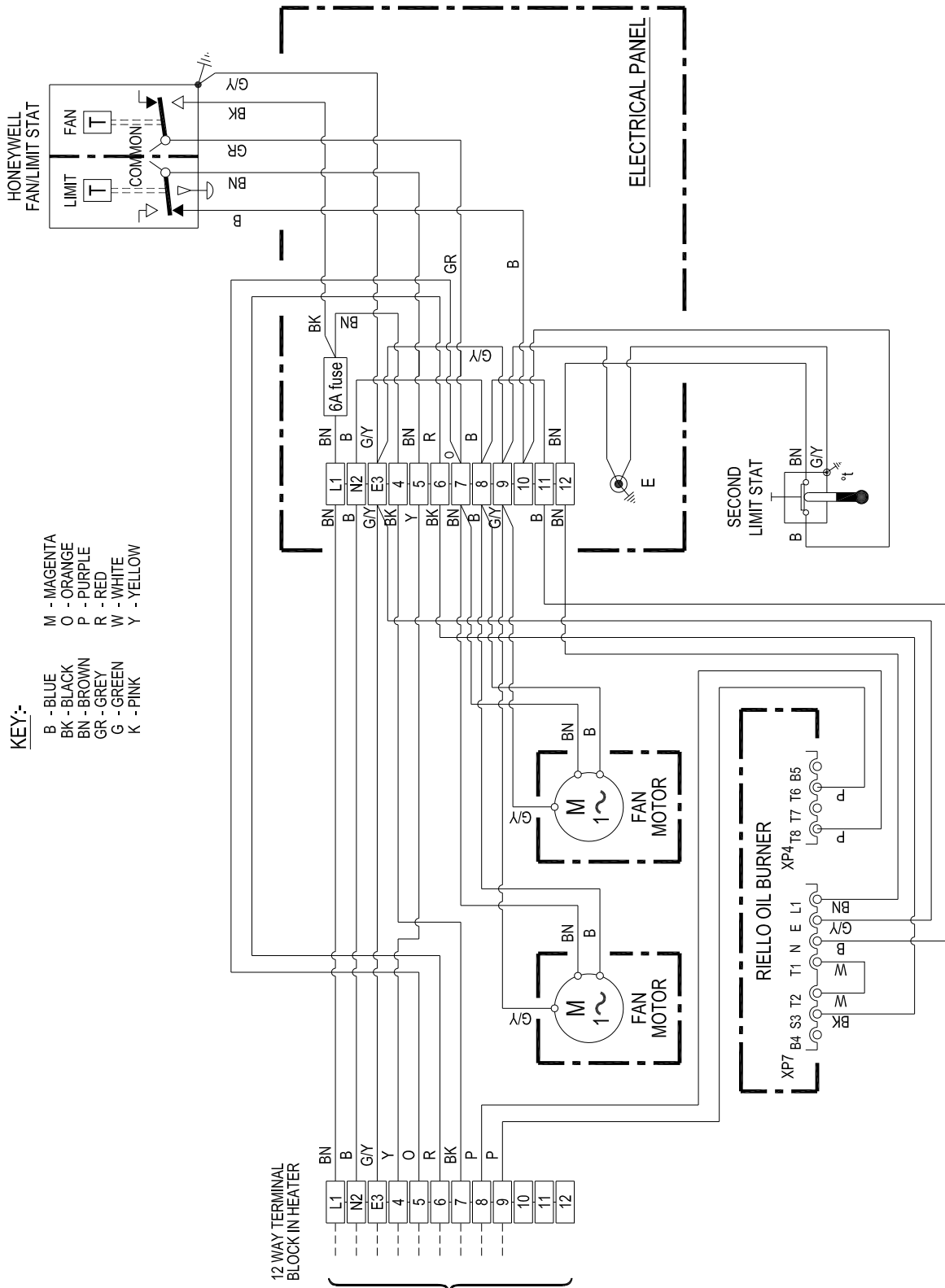


KEY:-

- B - BLUE
- BK - BLACK
- BN - BROWN
- GR - GREY
- G - GREEN
- K - PINK
- M - MAGENTA
- O - ORANGE
- P - PURPLE
- R - RED
- W - WHITE
- Y - YELLOW

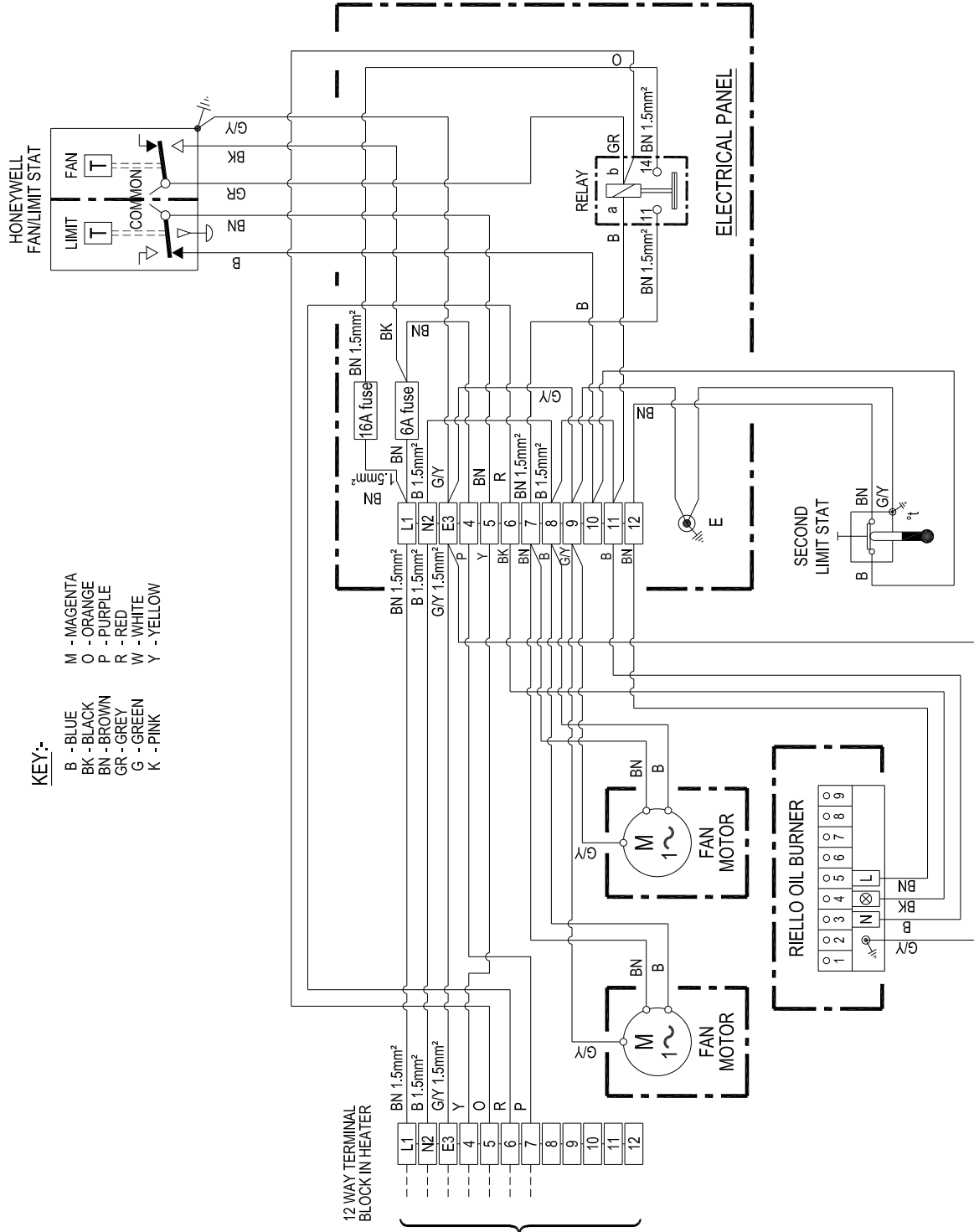
Internal Wiring Diagram 33-65-108

Ouha 200-350 HI/LOW Riello Oil Fired Burner



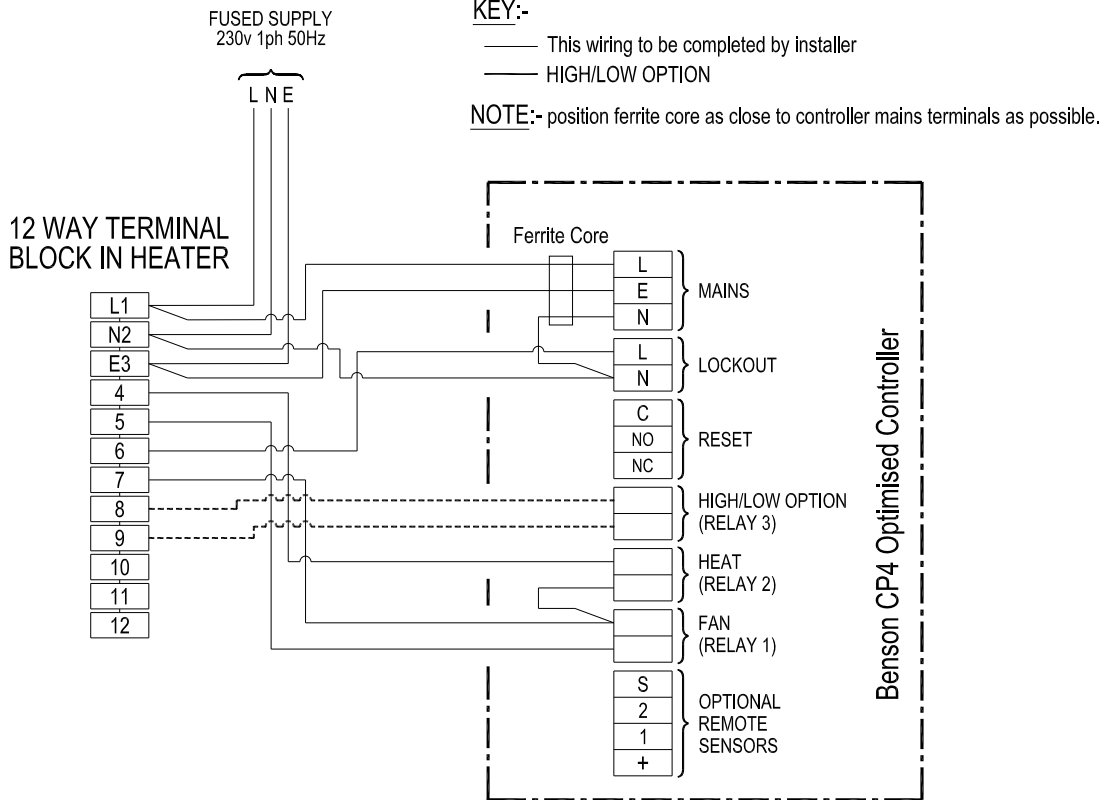
Internal Wiring Diagram 33-65-191

OUHC 200-350 ON/OFF Riello Oil Fired Burner



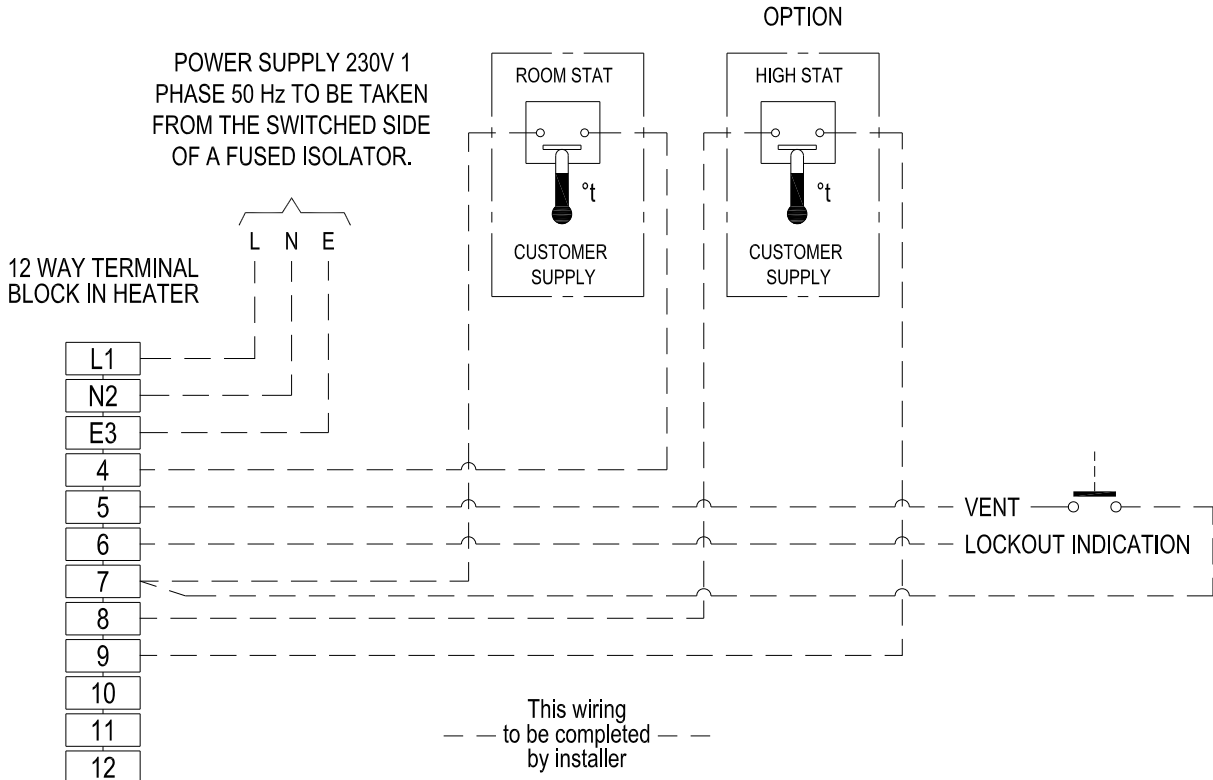
Remote Connections 33-65-131

ON/OFF (HI/LOW) to CP4



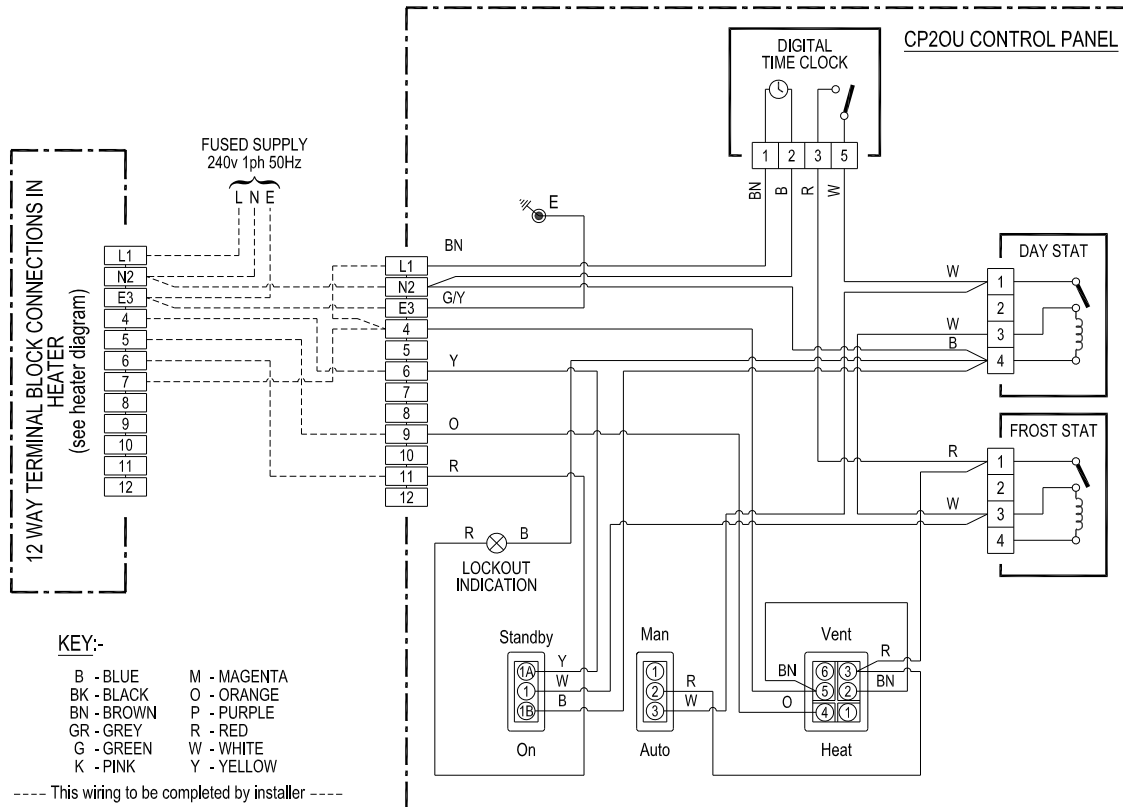
Remote Connections 33-65-228

ON/OFF (HI/LOW) Less Controls



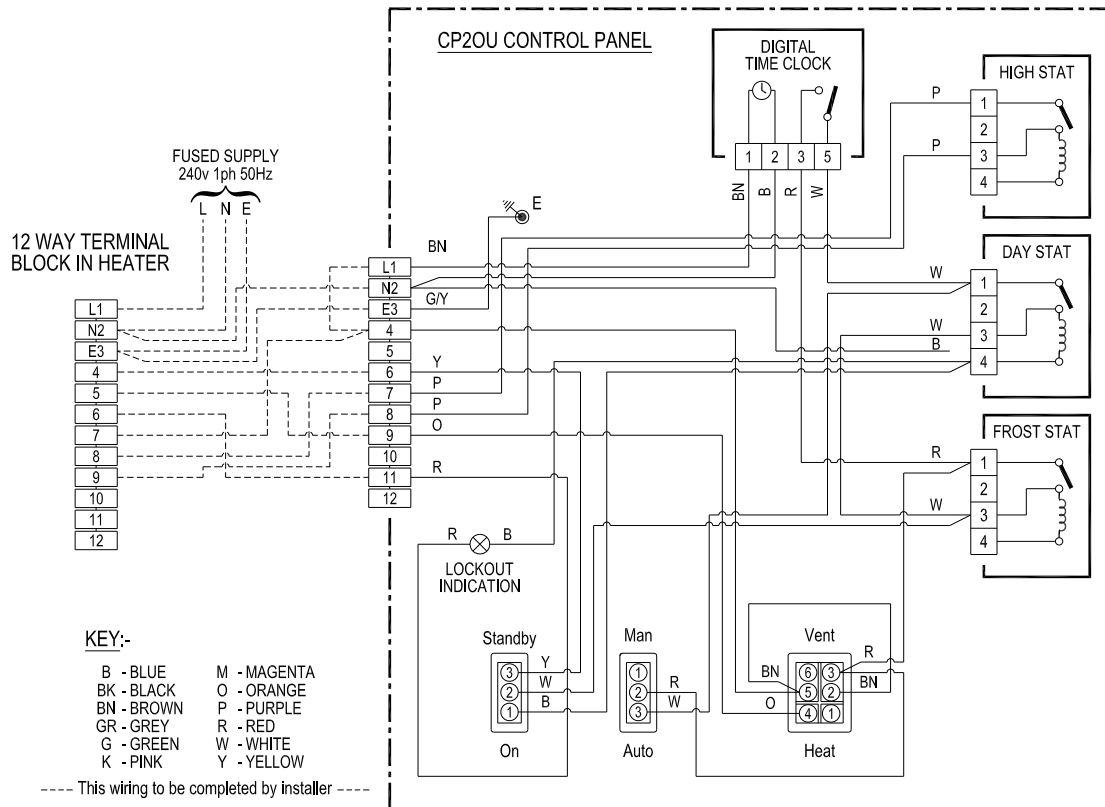
Remote Connections 33-65-102

ON/OFF to CP20U



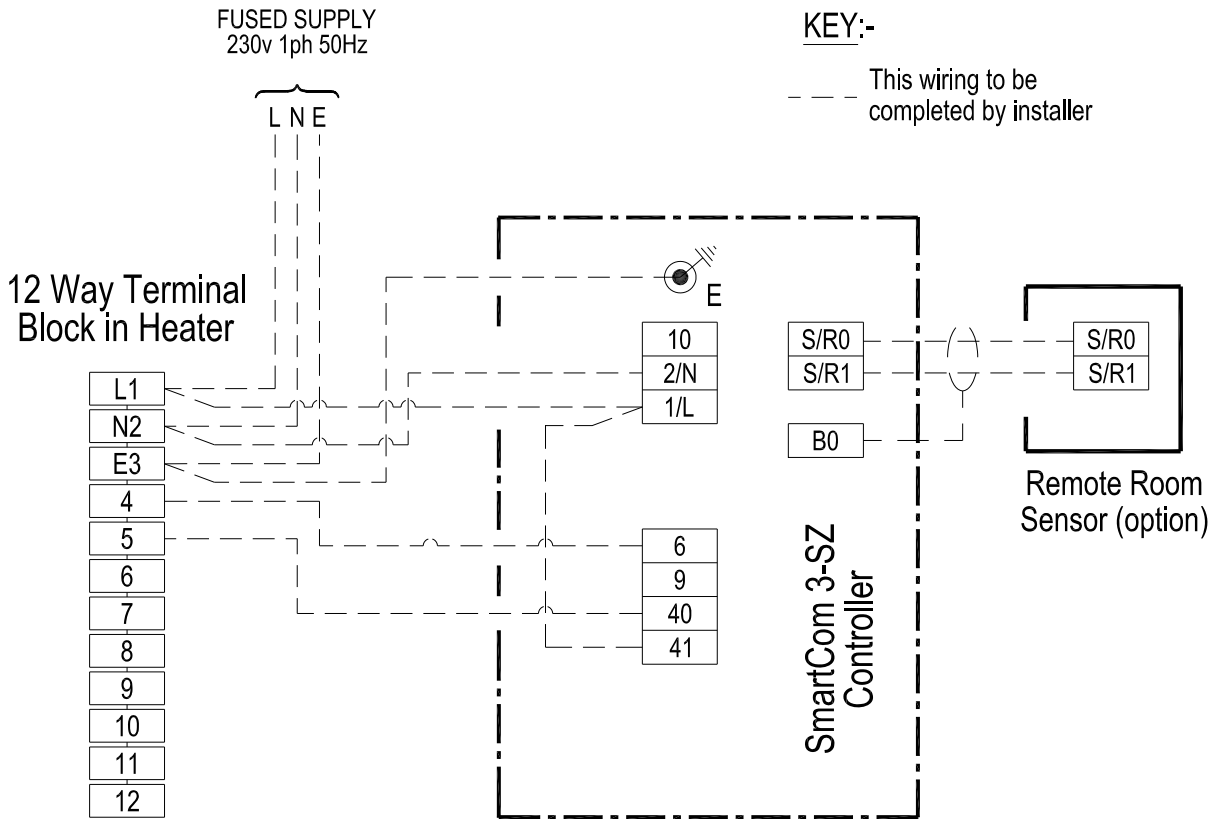
Remote Connections 33-65-130

HI/LOW to CP20U



Remote Connections 33-65-228

ON/OFF to SmartCom SC3-SZ



Remote Connections 33-65-229

HI/LOW to SmartCom SC3-MZ

