

# WIRING DIAGRAM MANUAL FOR BENSON OUH OIL FIRED HEATER



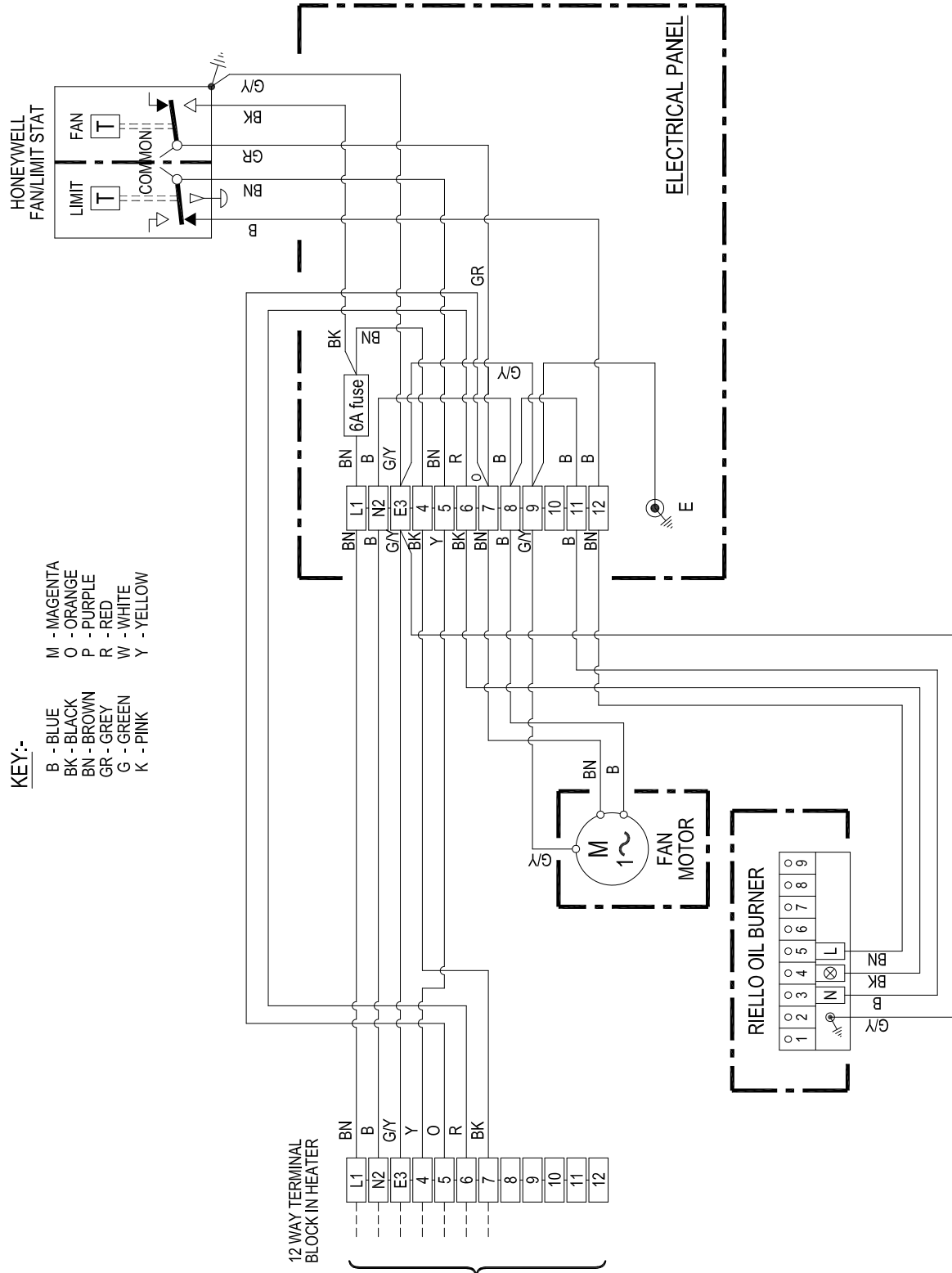
## WARNINGS

Installation of Benson Equipment must be carried out in accordance with the current IEE wiring regulations (BS 7671), BS 6896 (Industrial & Commercial) and any other relevant British Standards and Codes of Practice by a qualified installer. All external wiring **MUST** comply with the current IEE wiring regulations.

# Wiring Diagrams - OUH Oil Fired Unit Heaters

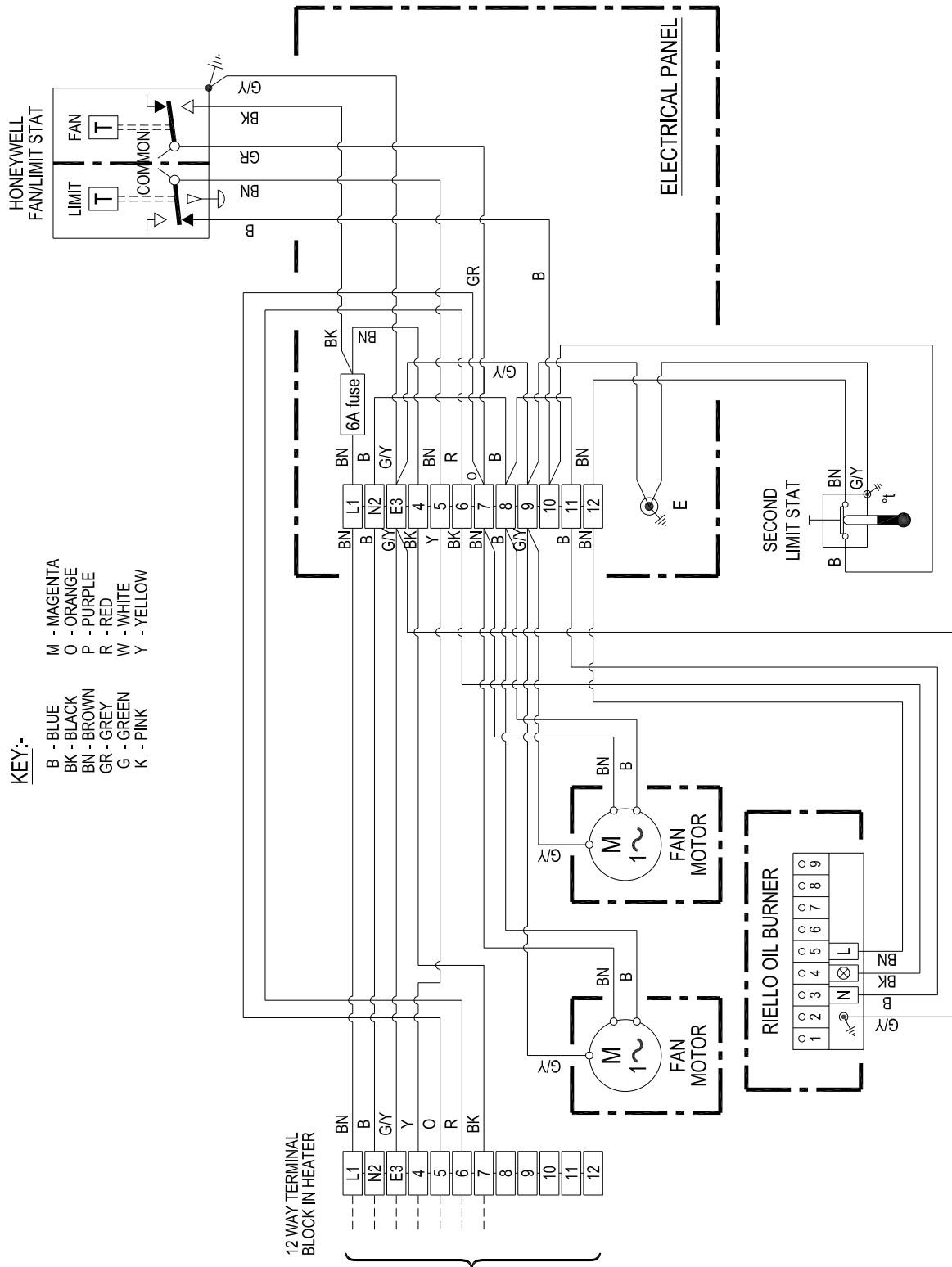
Internal Wiring Diagram 33-65-100

Ouha 100-140 ON/OFF Riello Oil Fired Burner



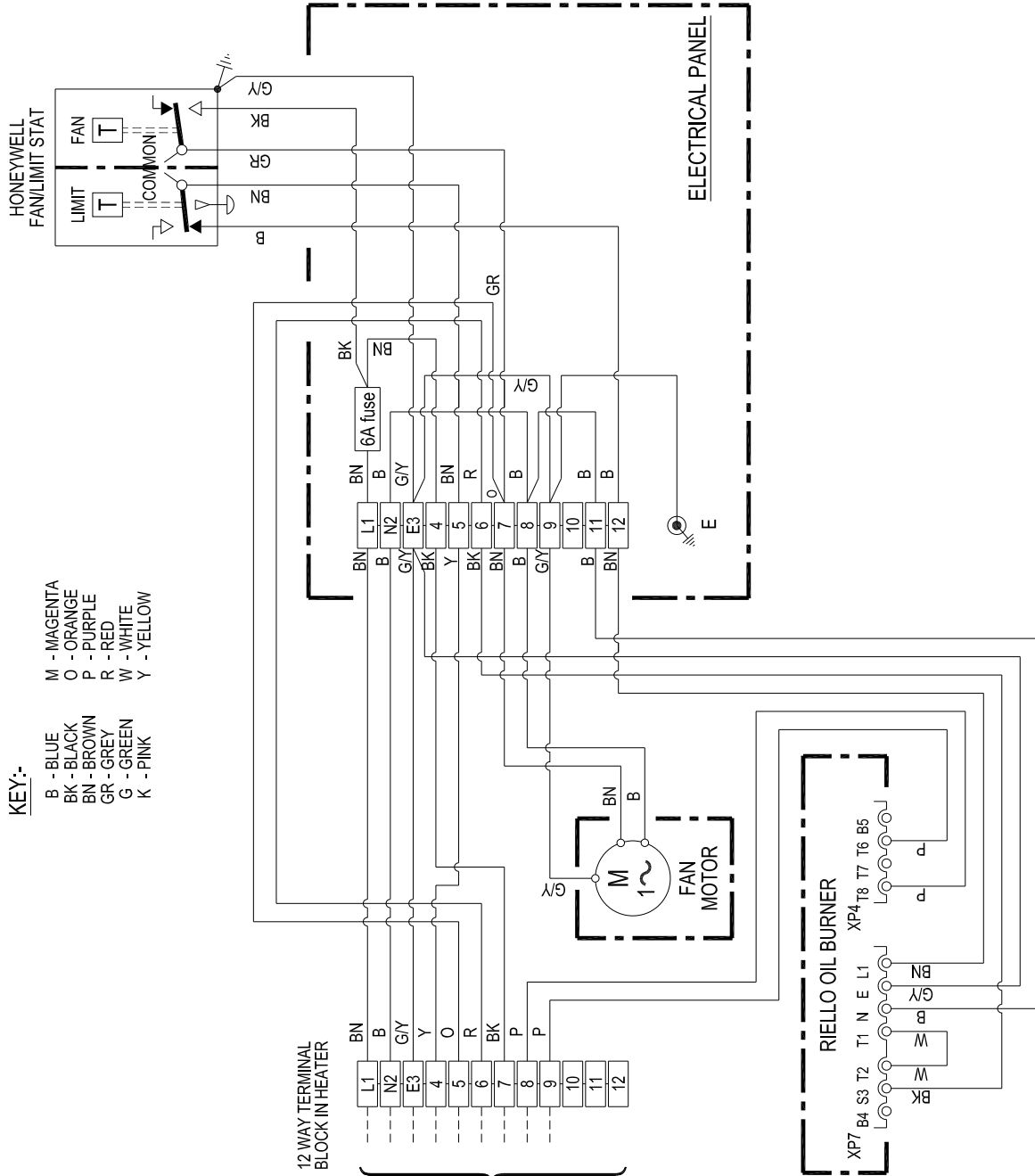
Internal Wiring Diagram 33-65-106

Ouha 200-350 ON/OFF Riello Oil Fired Burner



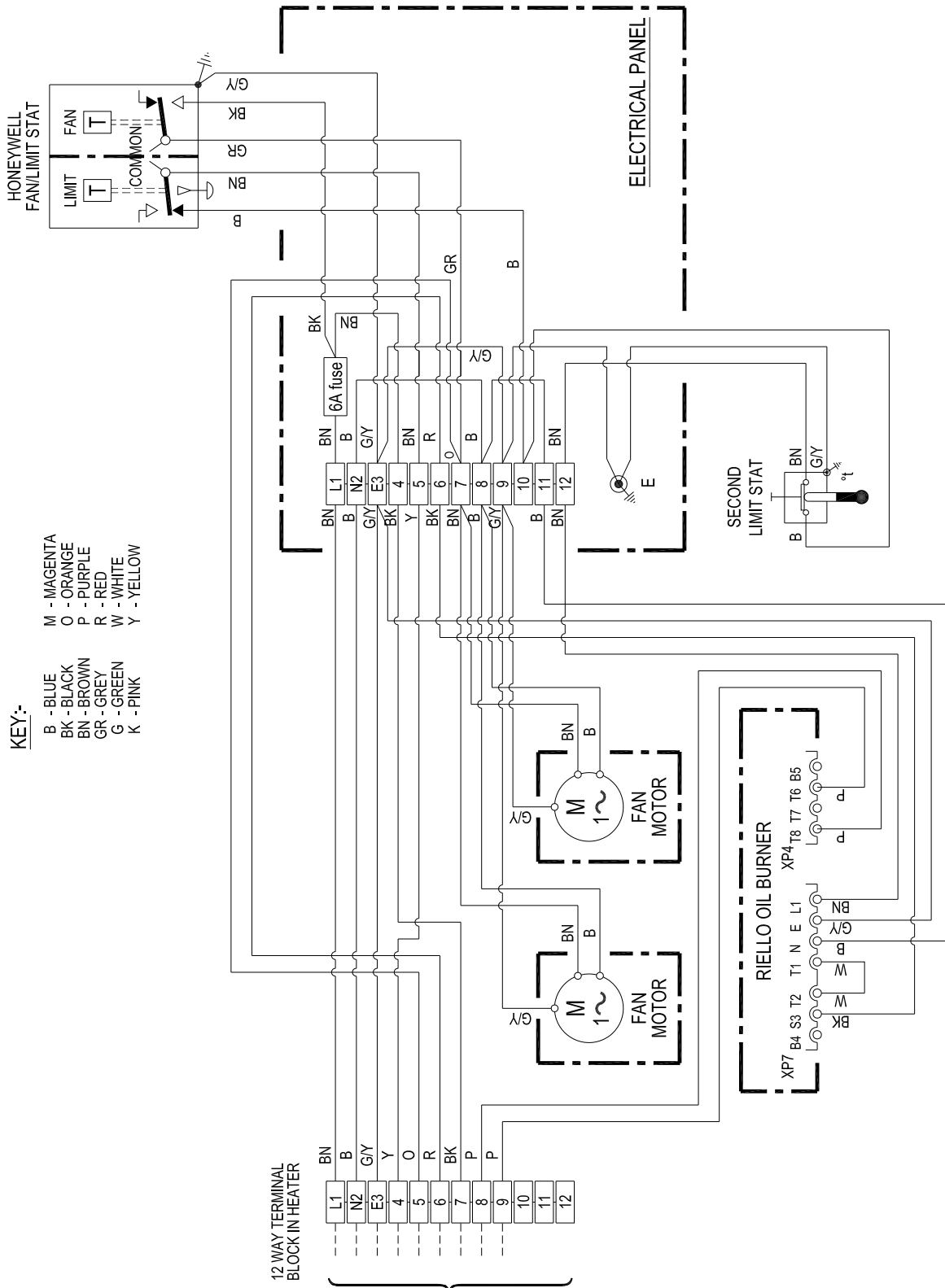
Internal Wiring Diagram 33-65-107

Ouha 100-140 HI/LOW Riello Oil Fired Burner



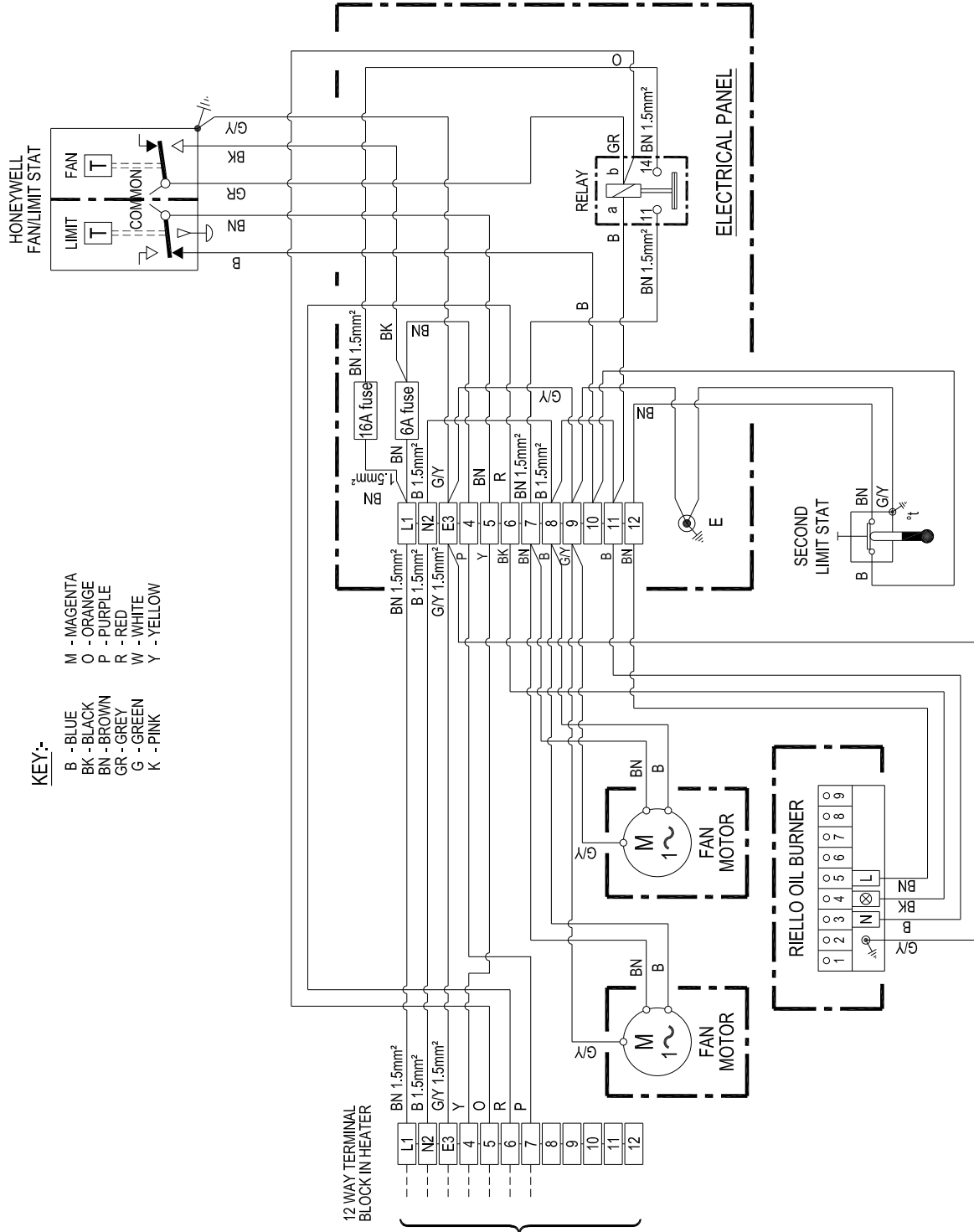
Internal Wiring Diagram 33-65-108

Ouha 200-350 HI/LOW Riello Oil Fired Burner



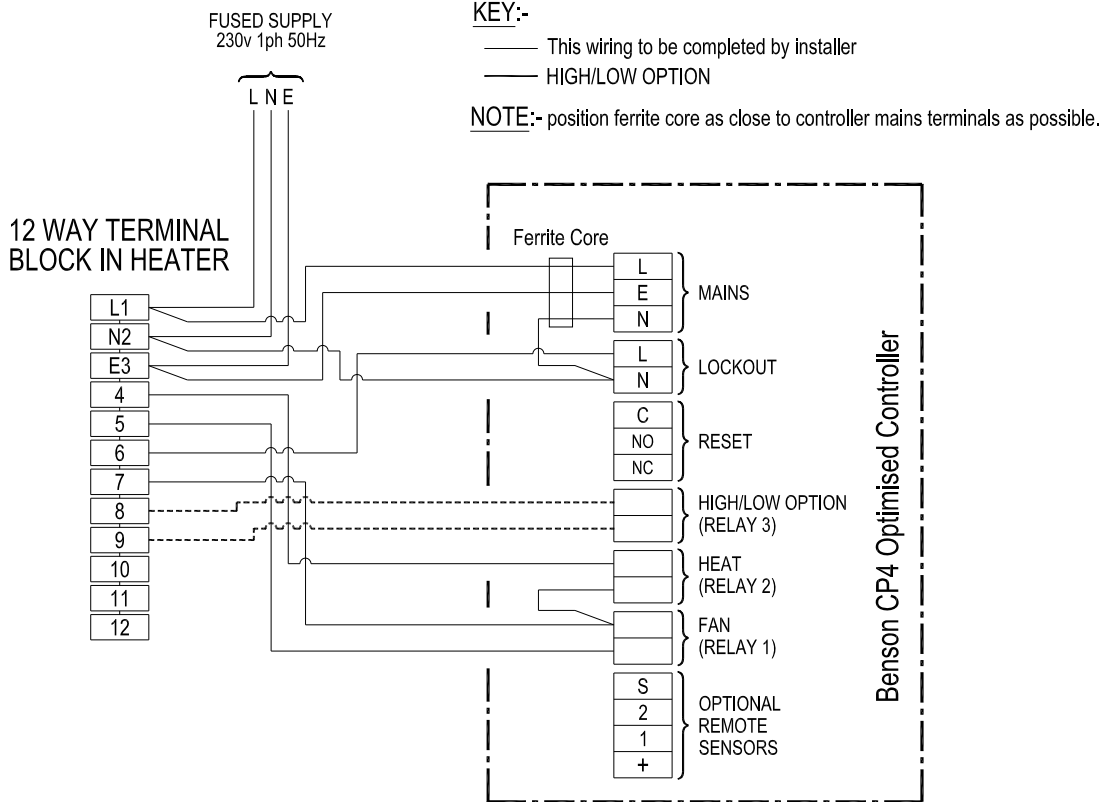
Internal Wiring Diagram 33-65-191

OUHC 200-350 ON/OFF Riello Oil Fired Burner



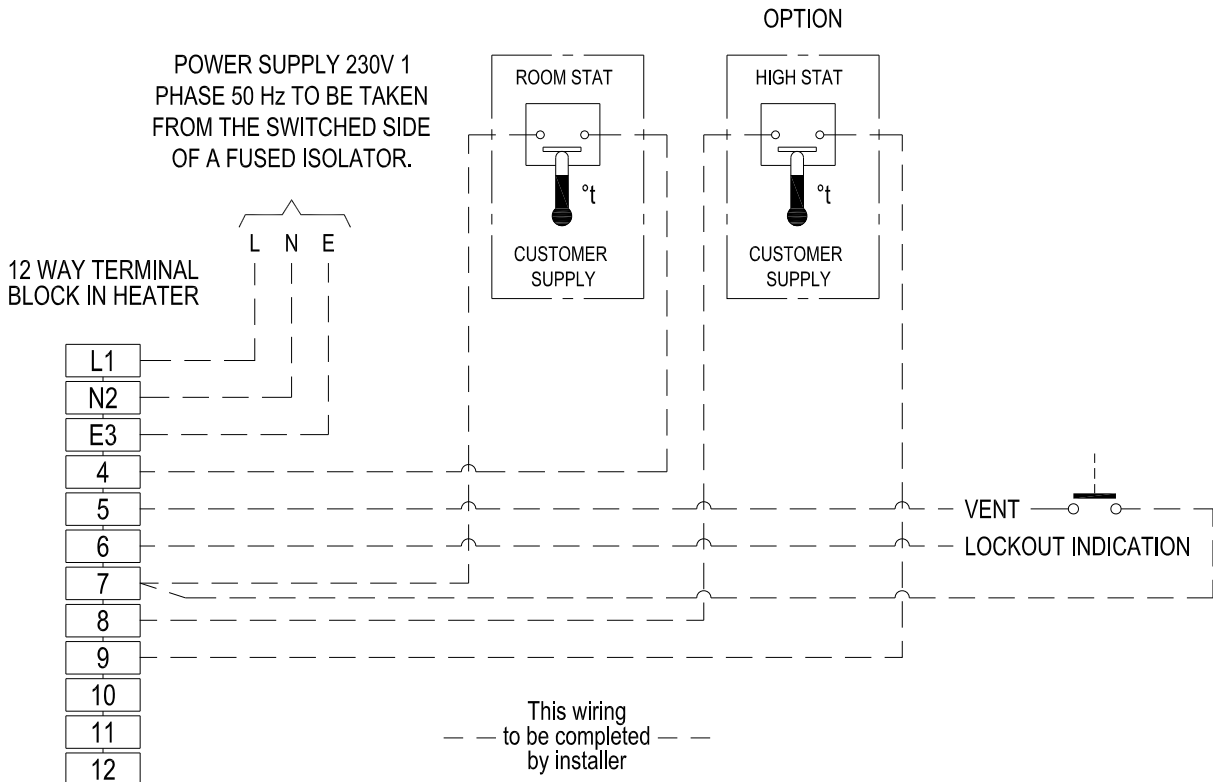
**Remote Connections 33-65-131**

**ON/OFF (HI/LOW) to CP4**



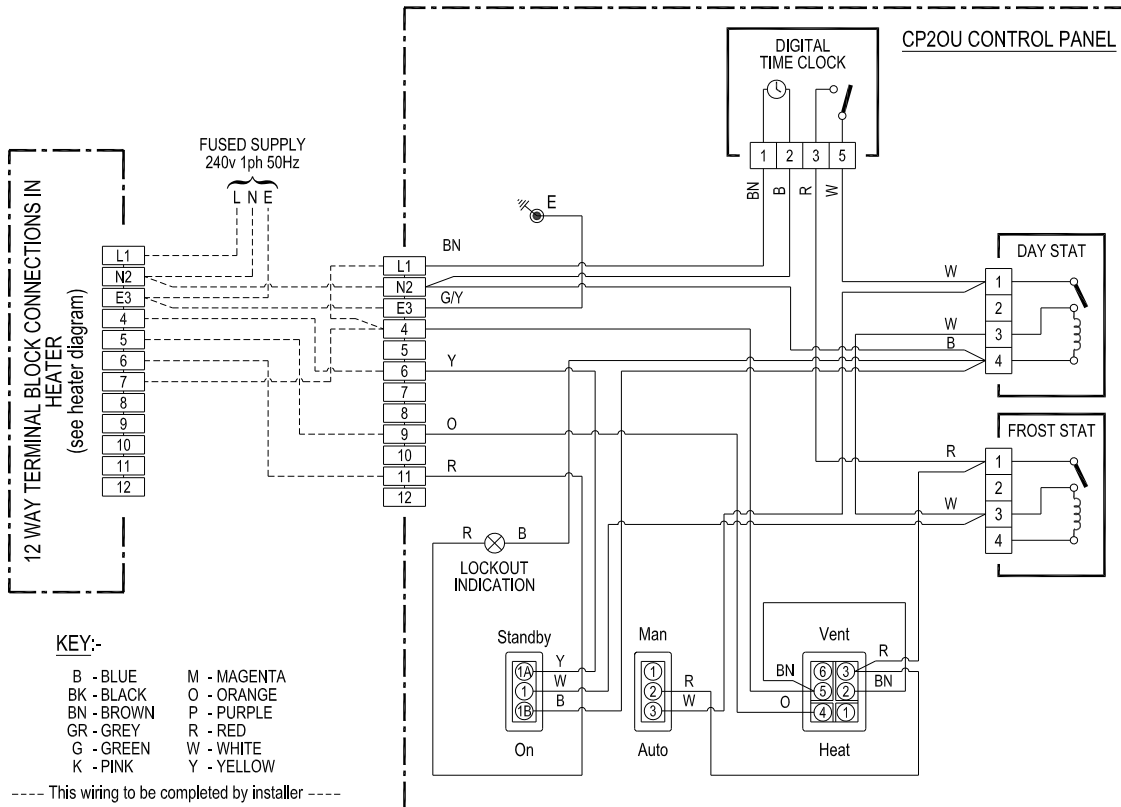
**Remote Connections 33-65-228**

**ON/OFF (HI/LOW) Less Controls**



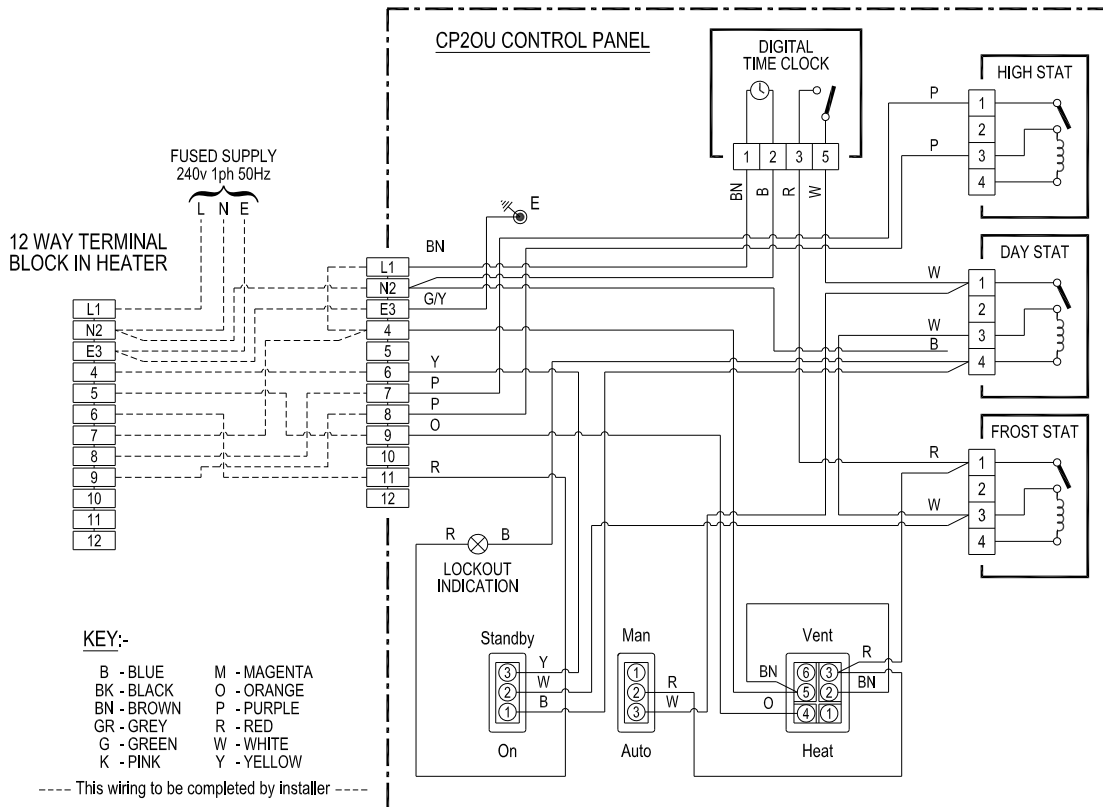
# Remote Connections 33-65-102

## ON/OFF to CP20U



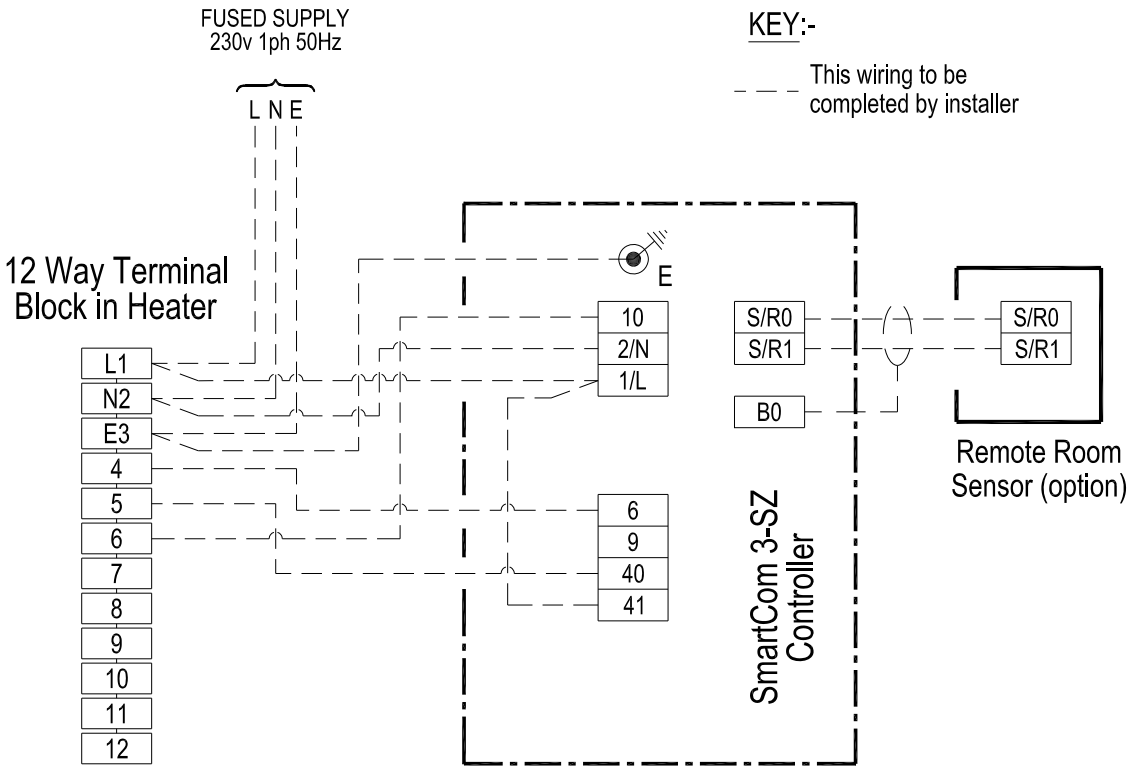
# Remote Connections 33-65-130

## HI/LOW to CP20U



**Remote Connections 33-65-228**

**ON/OFF to SmartCom SC3-SZ**



**Remote Connections 33-65-229**

**HI/LOW to SmartCom SC3-MZ**

