

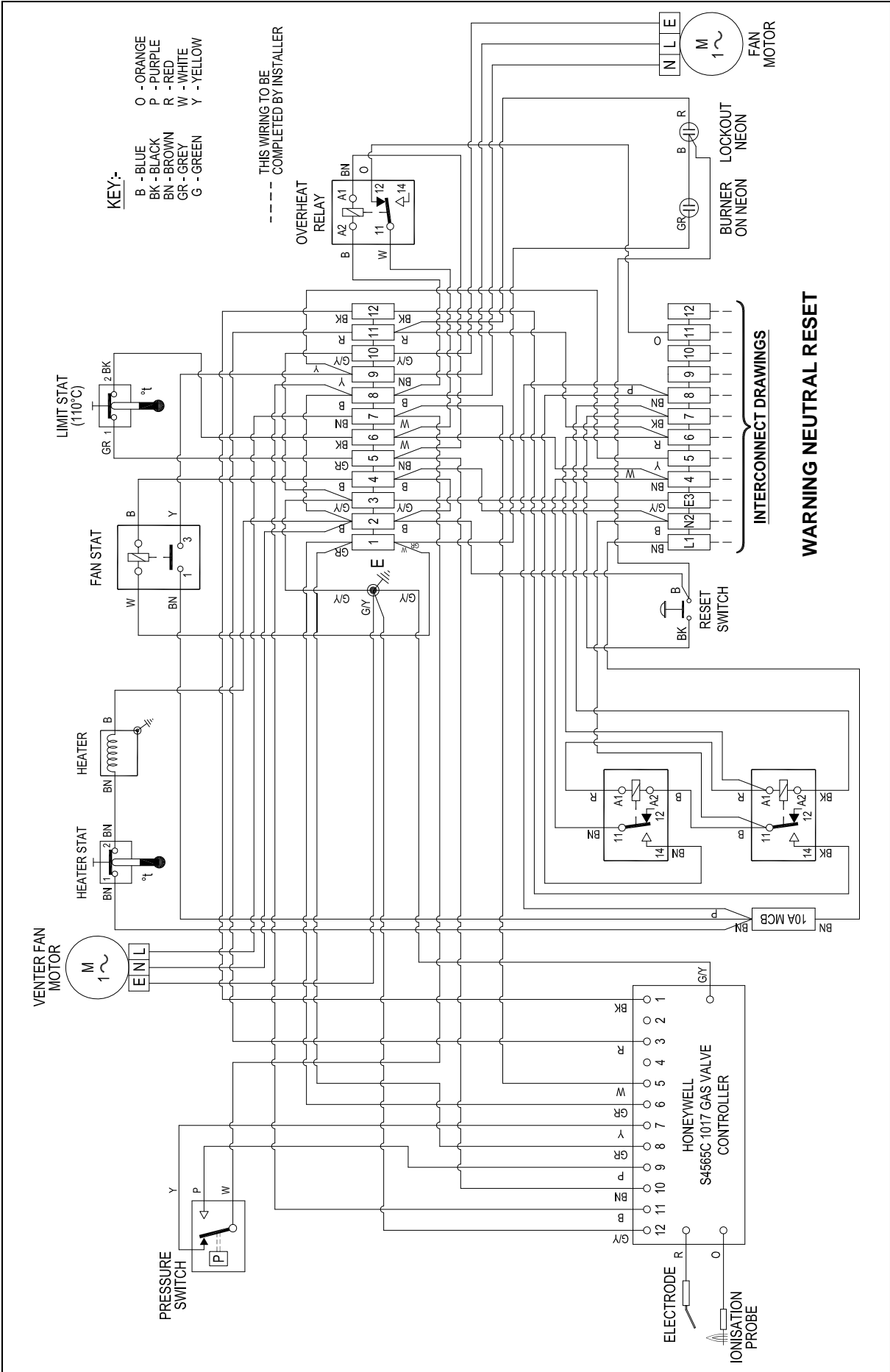
## WIRING DIAGRAM MANUAL FOR BENSON EVRC EXTERNAL HEATER



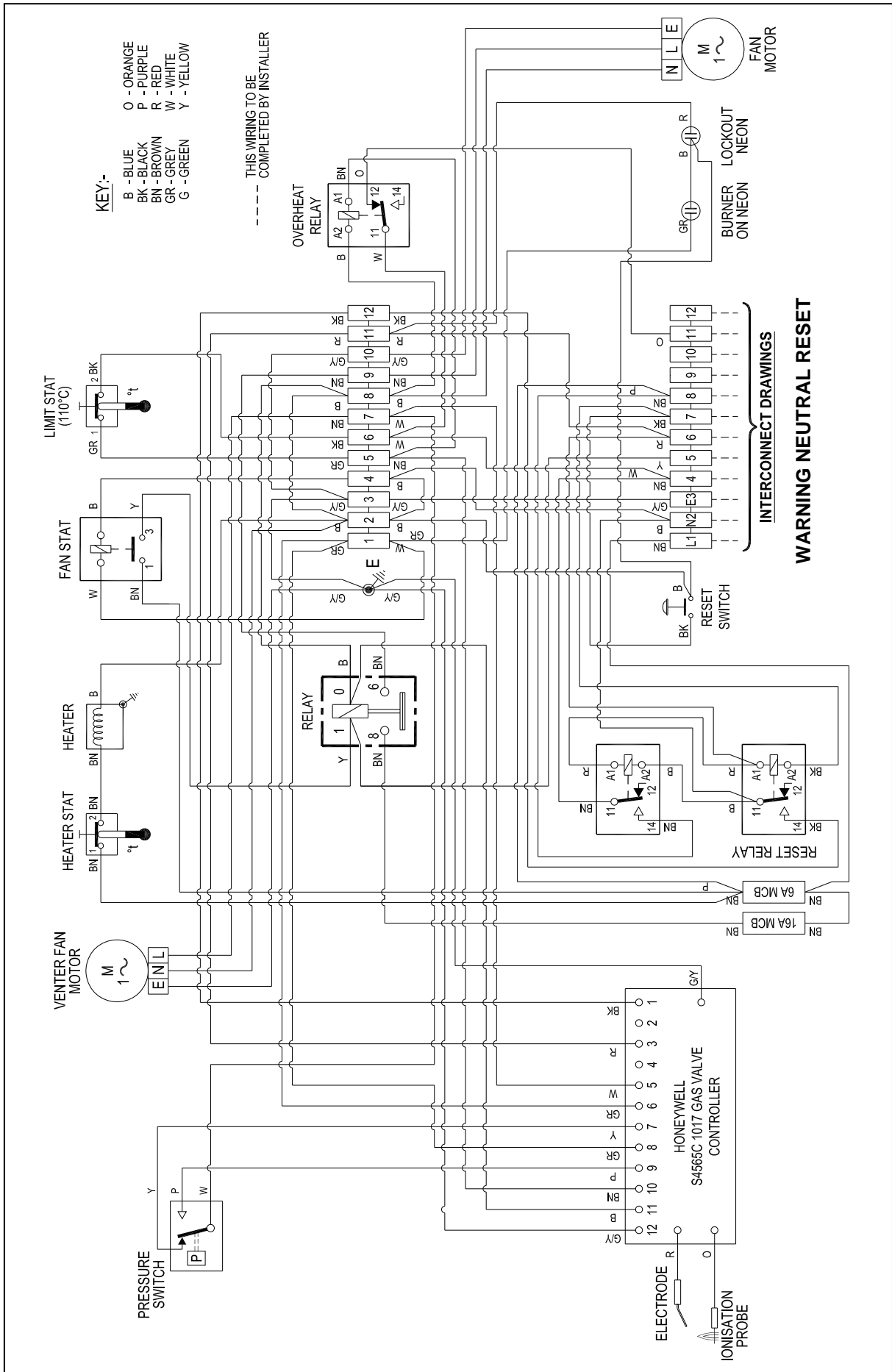
### WARNINGS

Installation of Benson Equipment must be carried out in accordance with the current IEE wiring regulations (BS 7671), BS 6896 (Industrial & Commercial) and any other relevant British Standards and Codes of Practice by a qualified installer. All external wiring **MUST** comply with the current IEE wiring regulations.

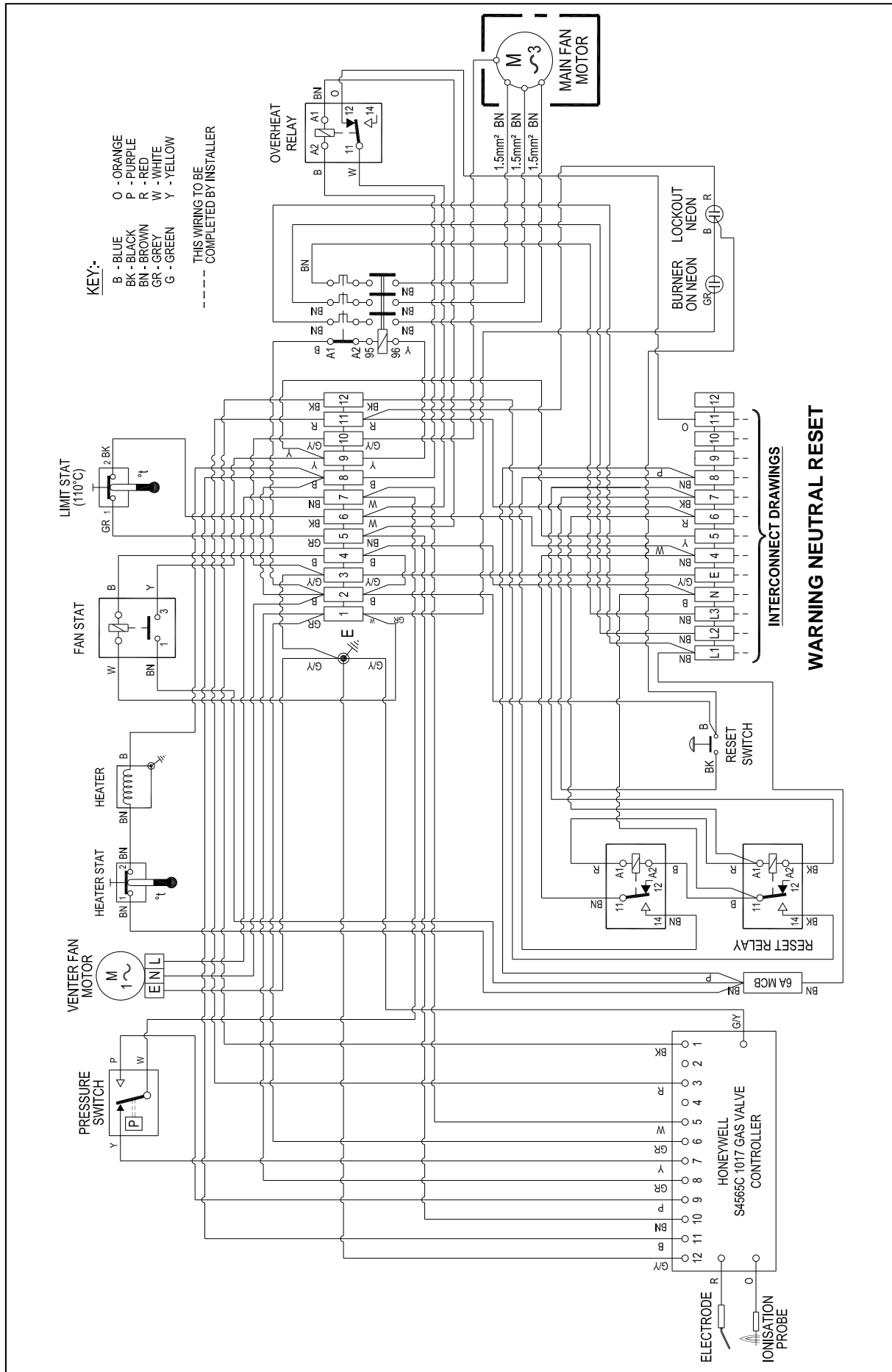
Wiring Diagram 33-68-019 EV<sup>2</sup>RC 12-42 EV<sup>2</sup>RC1 12-30 EV<sup>2</sup>RC2 12-20 On/Off



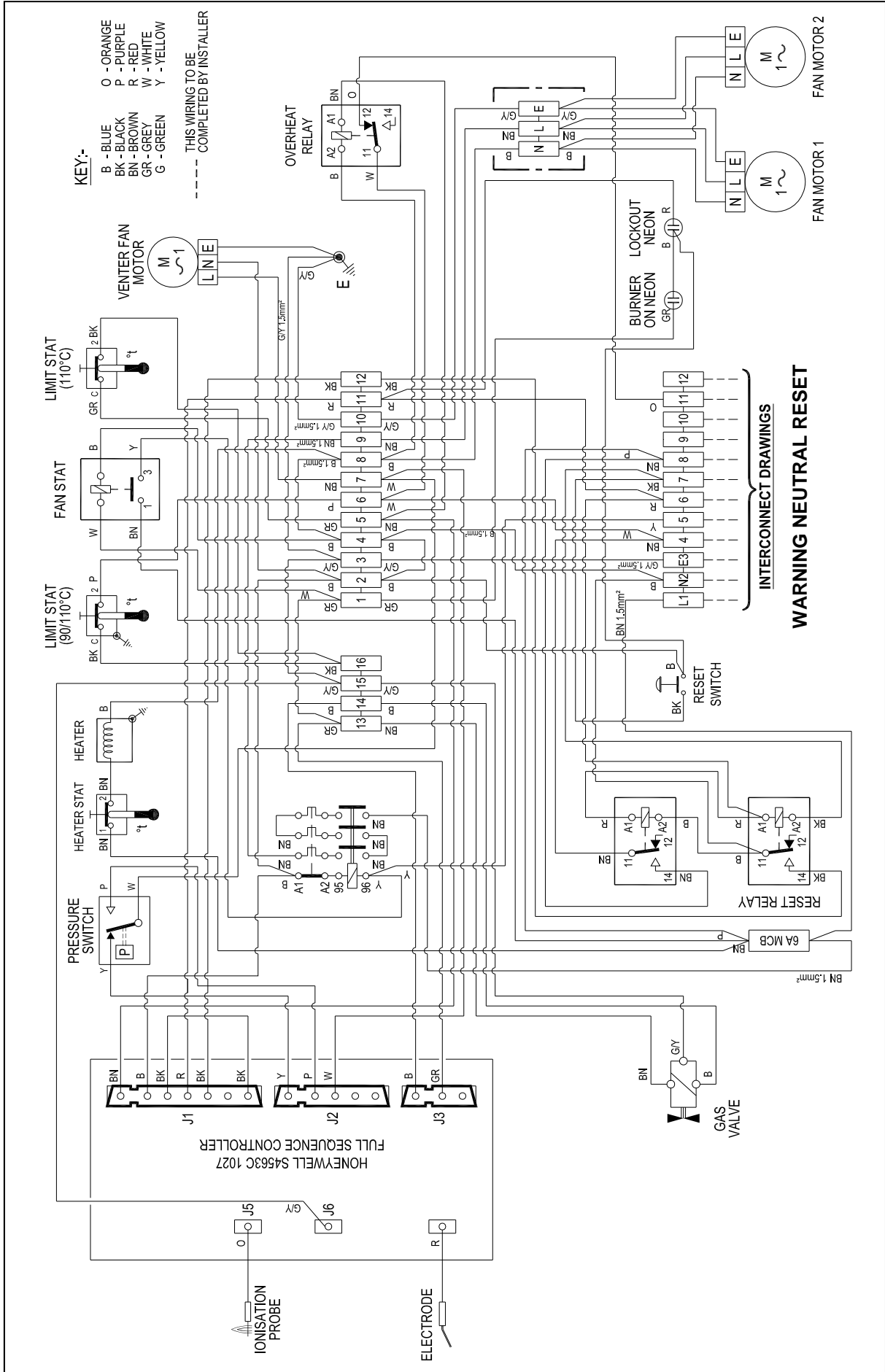
# Wiring Diagram 33-68-022 EV<sup>2</sup>RC 50-60 EV<sup>2</sup>RC1 42-60 EV<sup>2</sup>RC2 30-42 On/Off



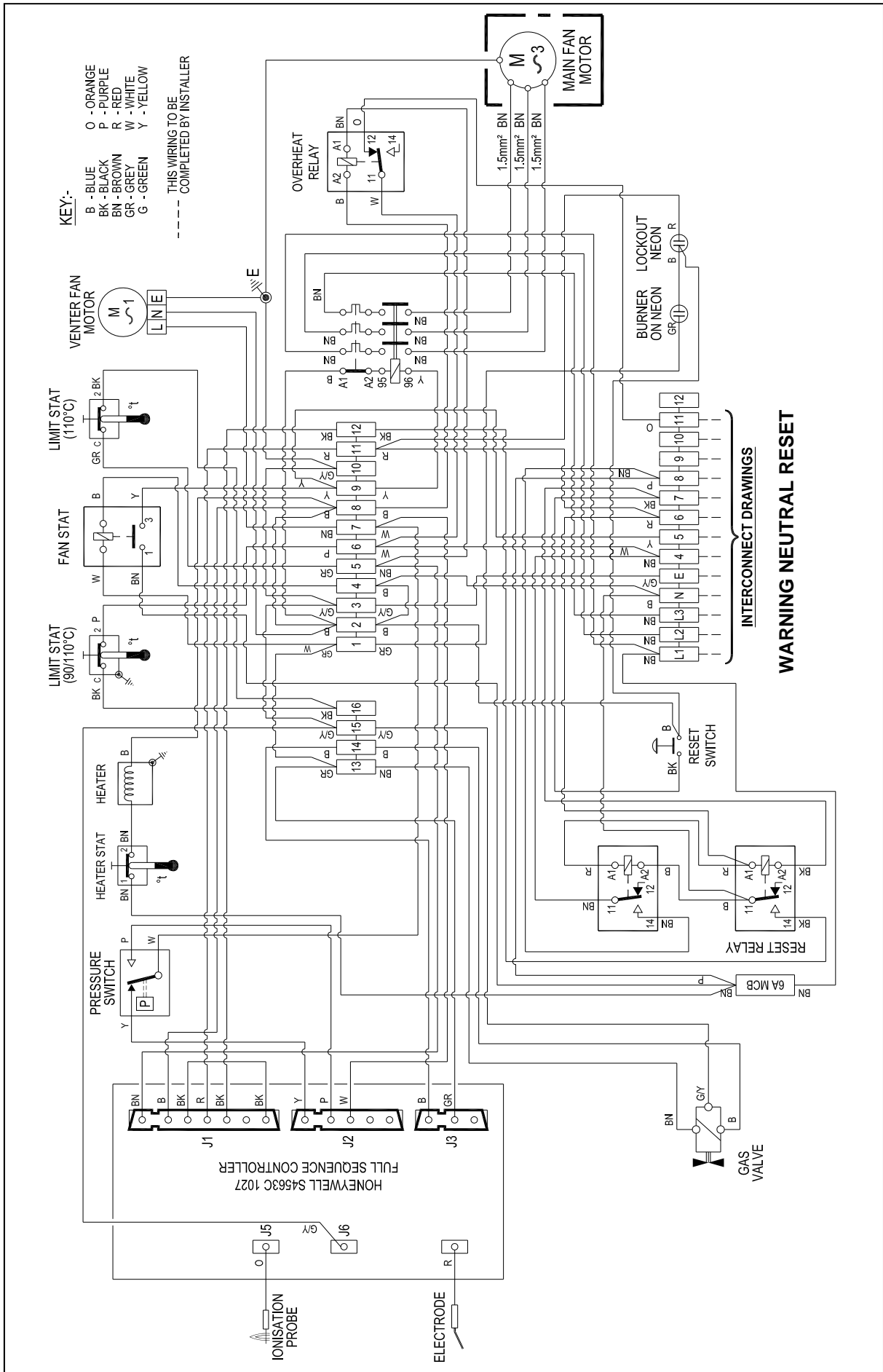
# Wiring Diagram 33-68-025 EV<sup>2</sup>RC 50-60 3 Phase On/Off



# Wiring Diagram 33-68-028 EV<sup>2</sup>RC 72-95 EV<sup>2</sup>RC1 72-95 On/Off

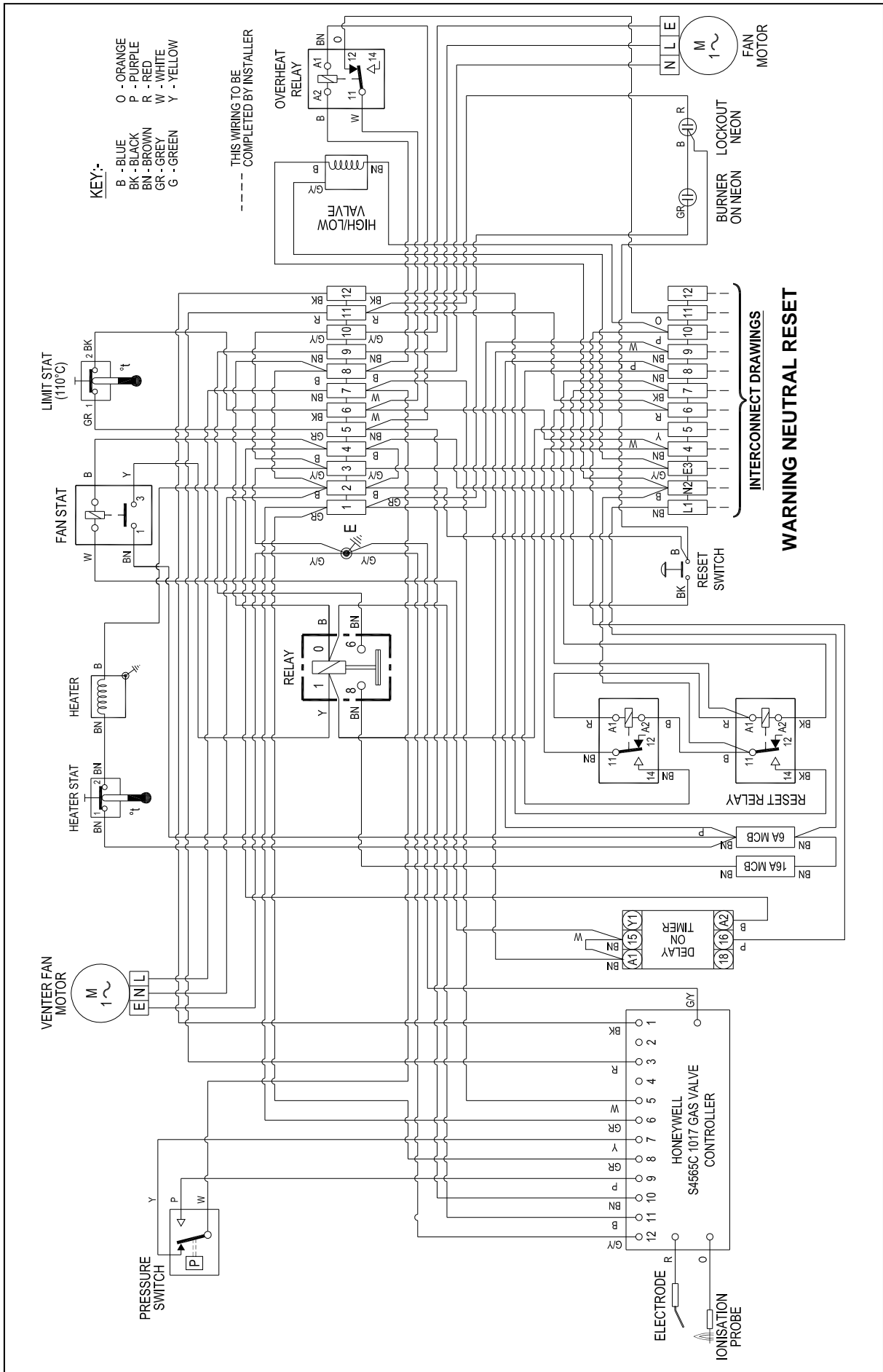


# Wiring Diagram 33-68-031 EV<sup>2</sup>RC 120-145 EV<sup>2</sup>RC2 72-145 3 Phase On/Off

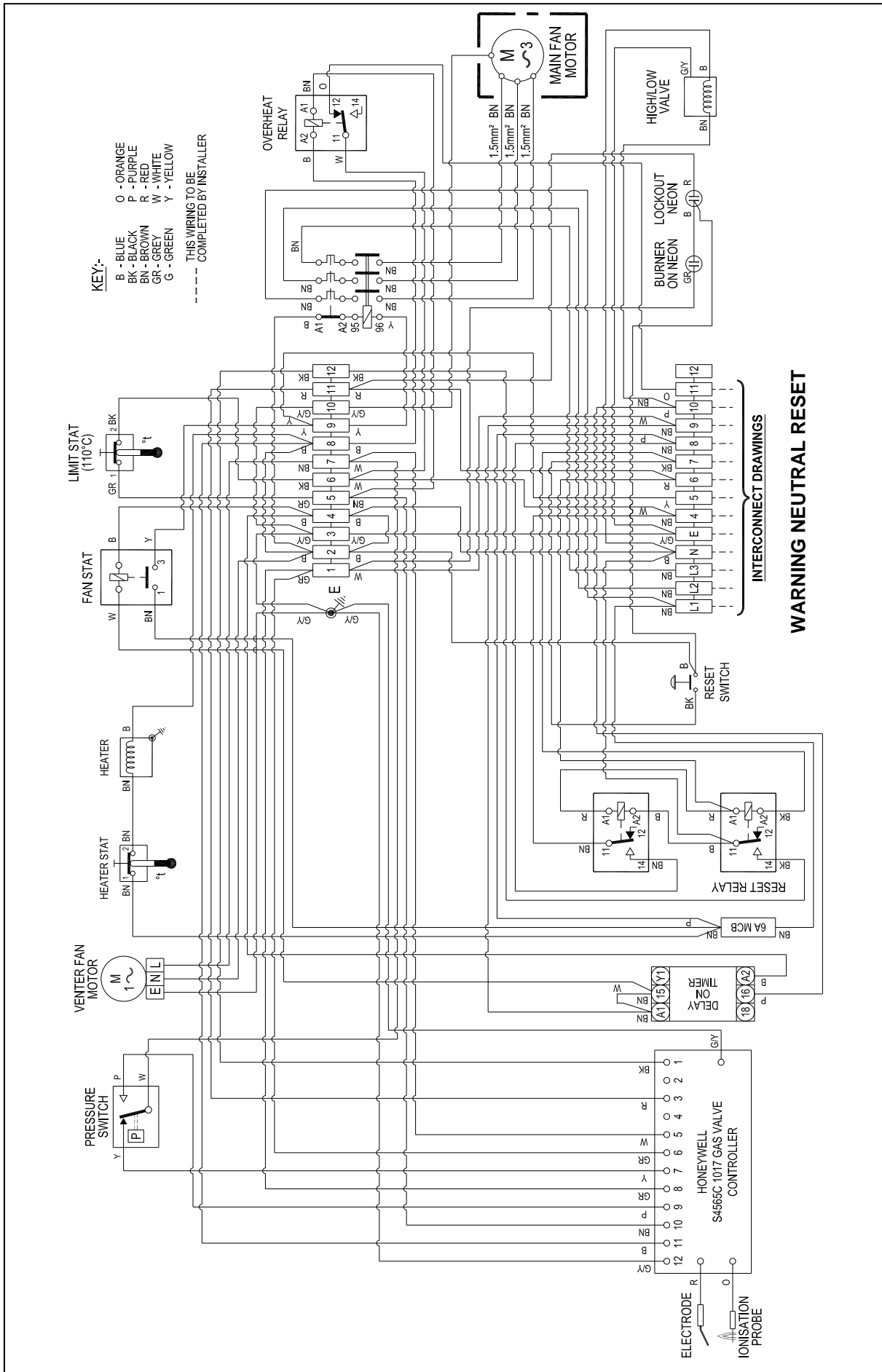




# Wiring Diagram 33-68-023 EV<sup>2</sup>RC 50-60 EV<sup>2</sup>RC1 42-60 EV<sup>2</sup>RC2 30-42 Hi/Low

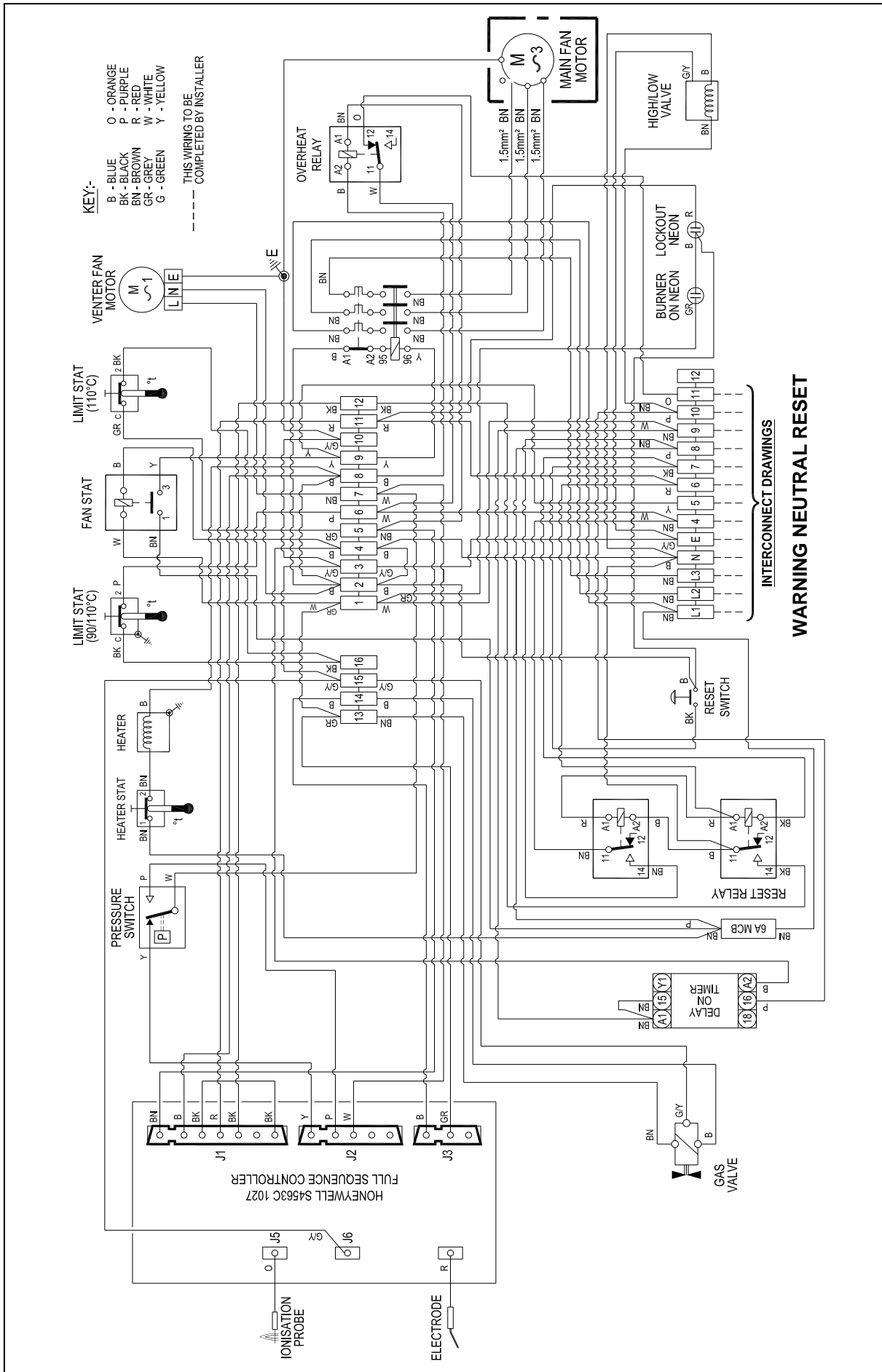


# Wiring Diagram 33-68-026 EV<sup>2</sup>RC 50-60 3 Phase Hi/Low

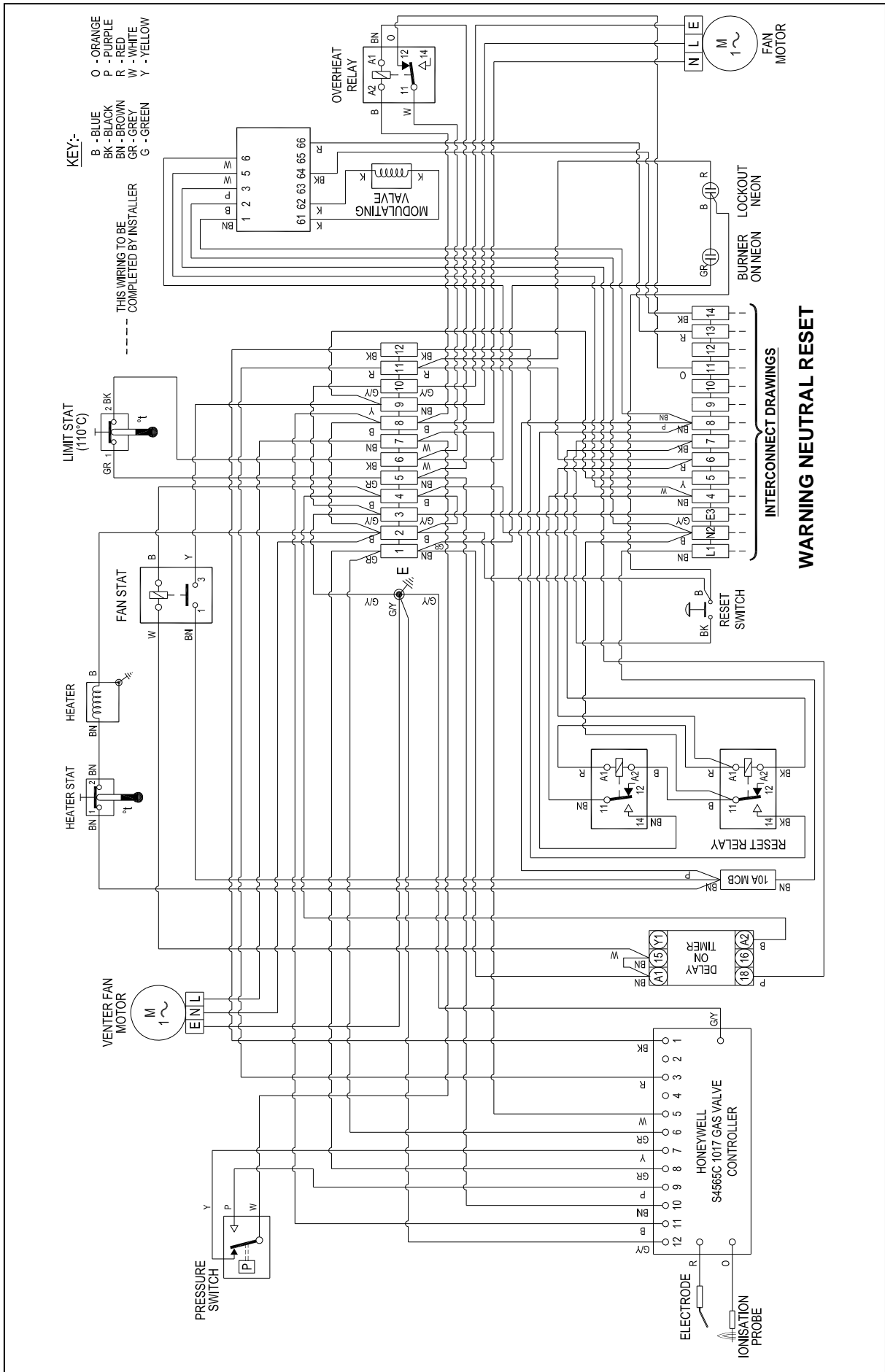




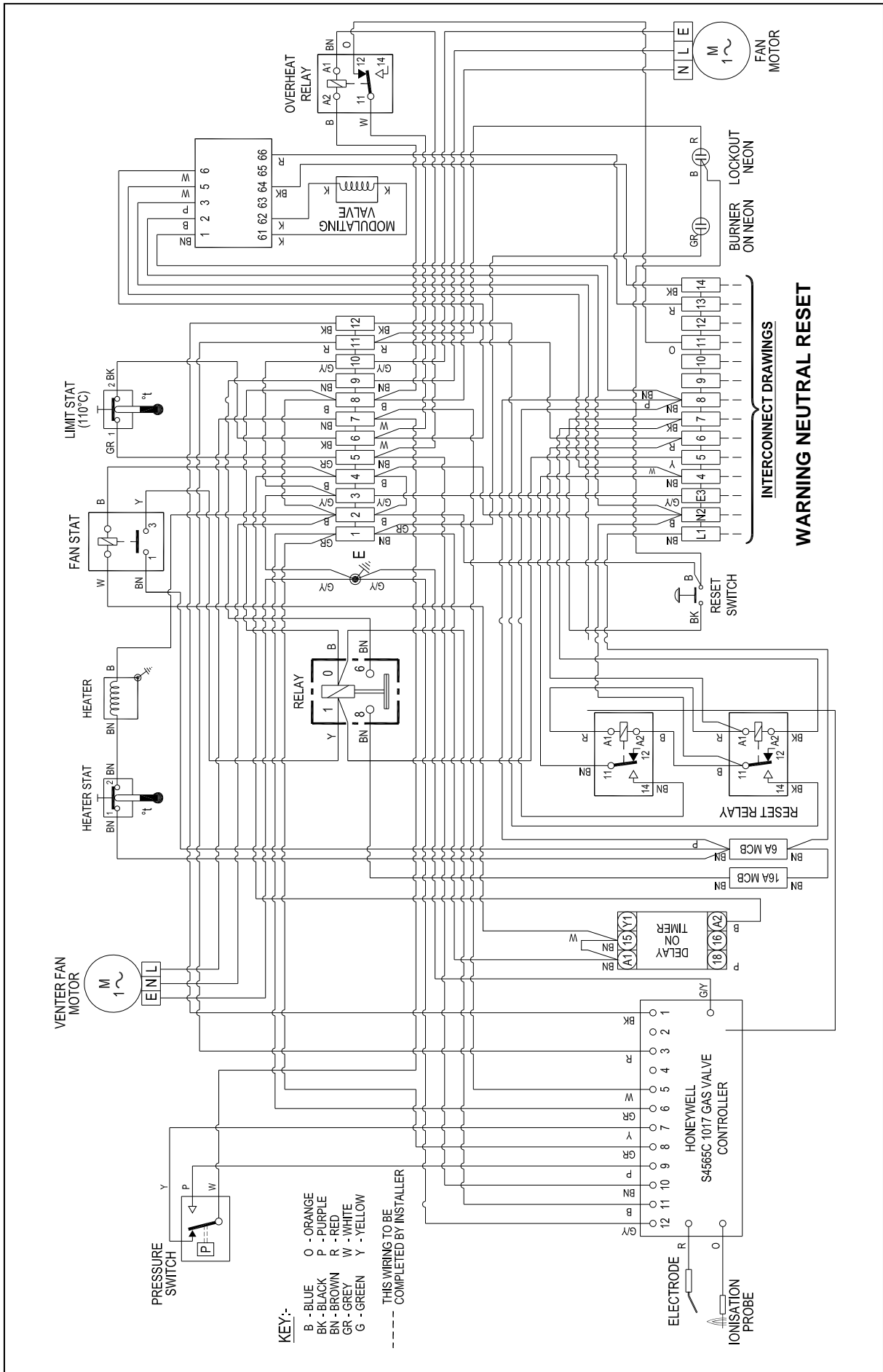
# Wiring Diagram 33-68-032 EV<sup>2</sup>RC 120-145 EV<sup>2</sup>RC2 72-145 3 Phase Hi/Low



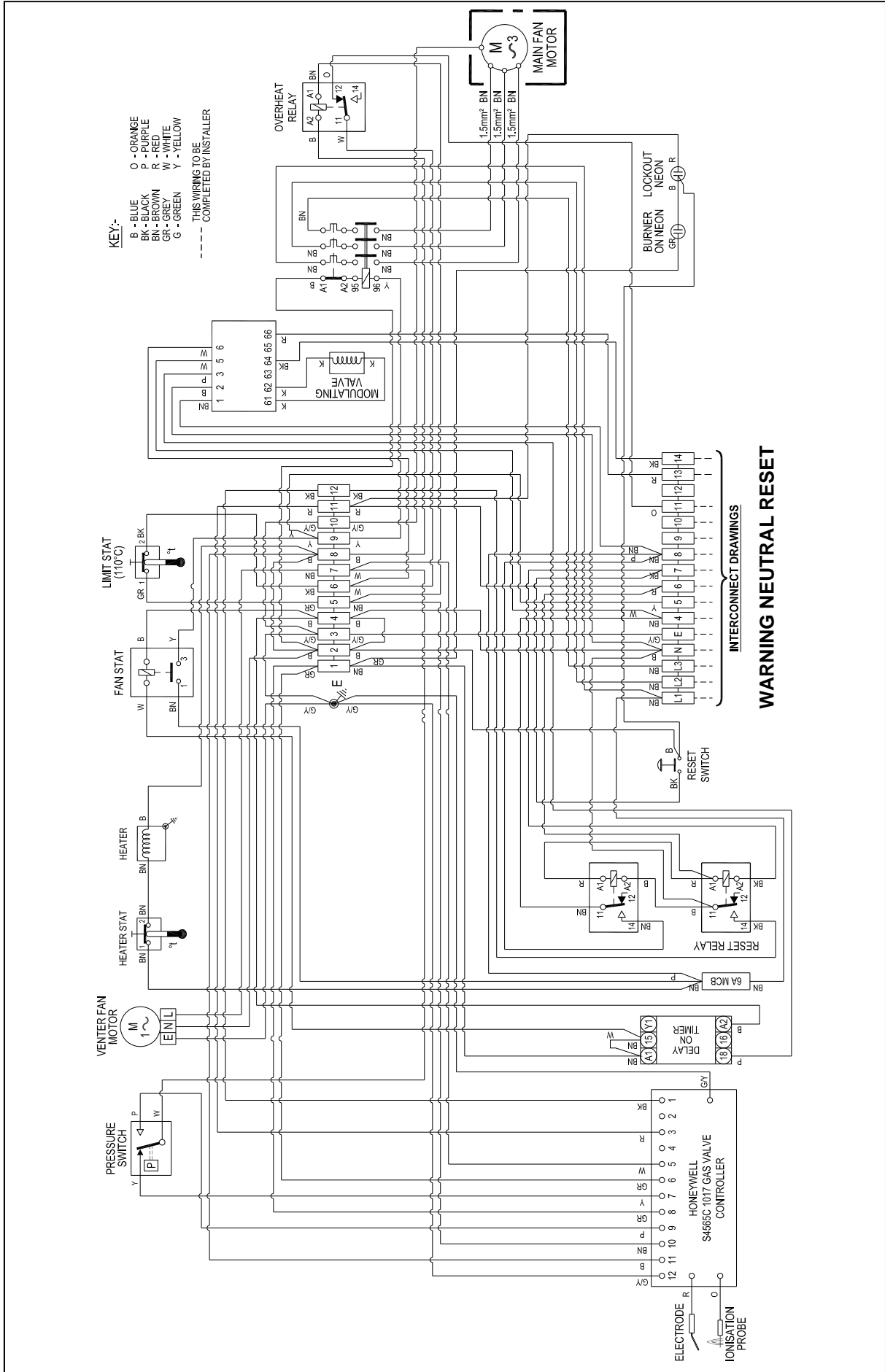
# Wiring Diagram 33-68-021 EV<sup>2</sup>RC 12-42 EV<sup>2</sup>RC1 12-30 EV<sup>2</sup>RC2 12-20 Modulation



# Wiring Diagram 33-68-024 EV<sup>2</sup>RC 50-60 Modulation

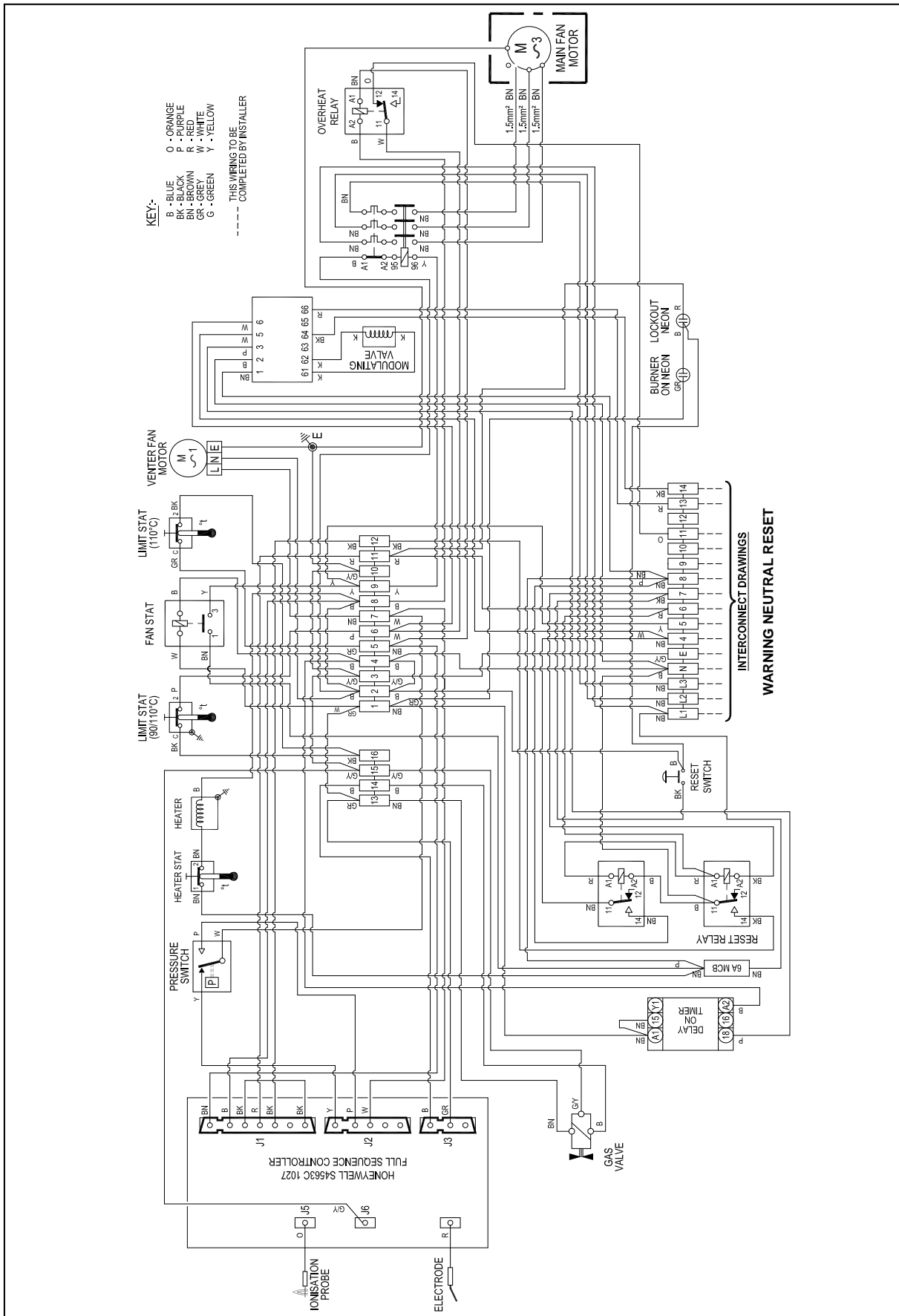


# Wiring Diagram 33-68-027 EVRC 50-60 3 Phase Modulation





# Wiring Diagram 33-68-033 EV<sup>2</sup>RC 120-145 EV<sup>2</sup>RC2 72-145 3 Phase Modulation



**NORTEK GLOBAL HVAC (UK) LTD**  
 Fens Pool Avenue  
 Brierley Hill  
 West Midlands DY5 1QA  
 United Kingdom

Tel: 01384 489 250  
 Fax: 01384 489 707  
 bensonsales@nortek.com  
 www.bensonheating.co.uk